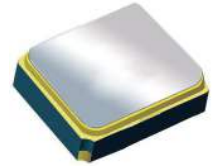


# Surface Mount 1591.5 MHz SAW Filter



1.4 x 1.1 x 0.7 mm

**AFS14A35-1591.5-T3**

Moisture Sensitivity Level (MSL) – This product is Hermetically Sealed and not Moisture Sensitive - MSL = N/A: Not Applicable



**RoHS  
Compliant**

## FEATURES:

- 1.4 x 1.1 x 0.7 mm low profile SMT package
- Low Insertion loss
- Excellent selectivity with high out-of-band rejection

## APPLICATIONS:

- Wireless Communication
- Remote Control
- Cellular Phones

## ELECTRICAL SPECIFICATIONS:

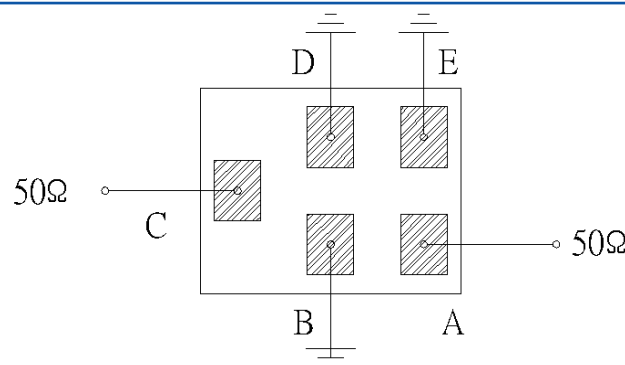
### Maximum Ratings

Item	Value
Input Power Level	+10 dBm max.
DC Permissive Voltage	3.0V DC max.
Operating Temperature Range	-40°C to + 85°C
Storage Temperature Range	-40°C to + 85°C

Parameters	Minimum	Typical	Maximum	Units	Notes
Center Frequency ( $f_c$ )		1591.5		MHz	
Insertion Loss (IL)		2.4	3.7	dB	1574~1609 MHz
Effective Bandwidth		35		MHz	
Amplitude Ripple		1.3	2.6	dB	1574~1609 MHz
Worst-Case Input / Output Return Loss	7.7	9.5		dB	1574~1609 MHz
Group Delay Variation		17	50	ns	1574~1609 MHz
Stop-band Attenuation (Referenced to 0.0 dB)	28	34		dB	10 ~1200 MHz
	28	34			1200~1450 MHz
	20	37			1450~1540 MHz
	9	31			1626~1710 MHz
	30	37			1710~2000 MHz
	30	37			2000~2500 MHz
Temperature Coefficient of frequency		-36		ppm/°C	
Source Impedance ( $Z_S$ )		50		$\Omega$	See note # 1
Load Impedance ( $Z_L$ )		50		$\Omega$	See note # 1

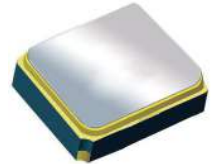
**Note #1:** No matching network required for operation into 50 $\Omega$ 's

## TEST CIRCUIT:



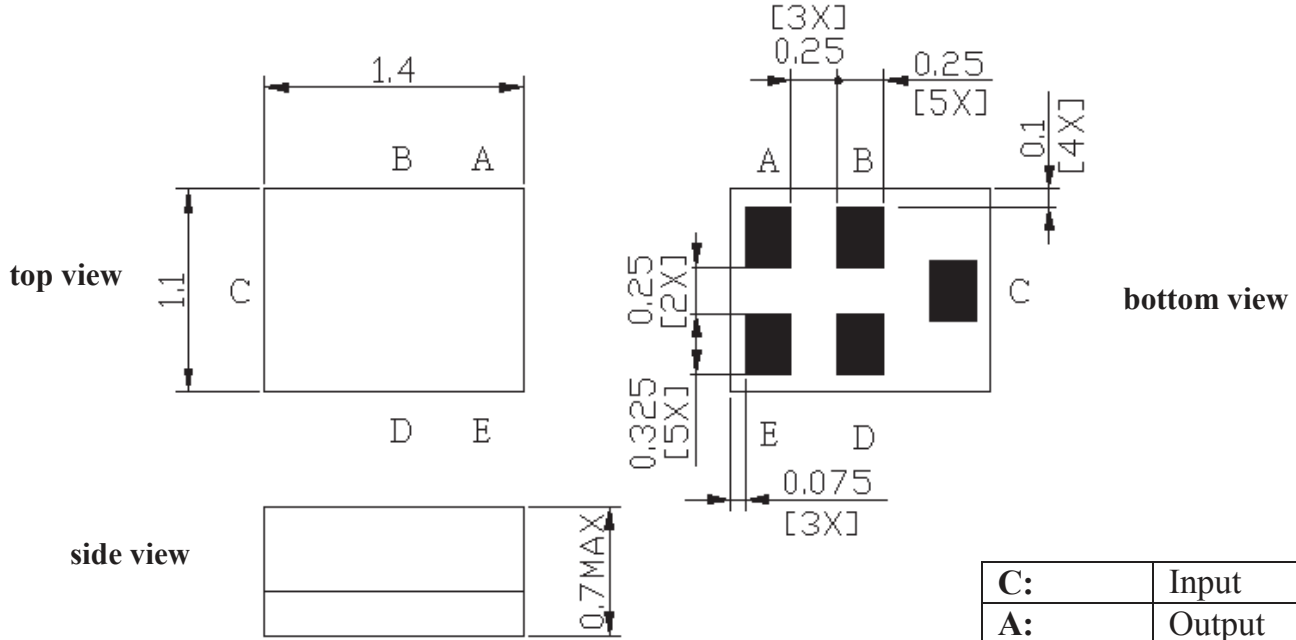
# Surface Mount 1591.5 MHz SAW Filter

AFS14A35-1591.5-T3



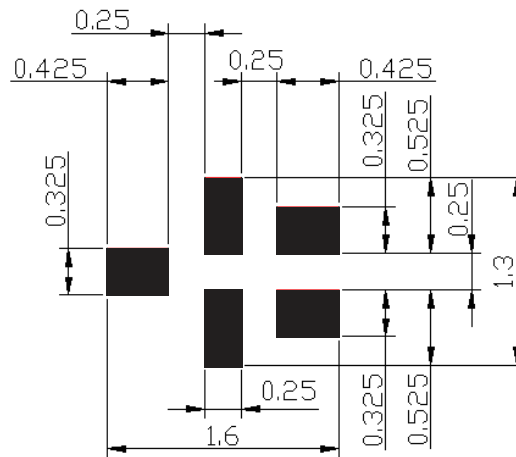
1.4 x 1.1 x 0.7 mm

## OUTLINE DIMENSIONS:



<b>C:</b>	Input
<b>A:</b>	Output
<b>B, D, E:</b>	Ground

### Recommended Land Pattern:



■ : Land Pattern

Unit : mm

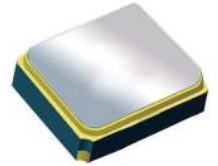
\*All Dimensions are in mm

# Surface Mount 1591.5 MHz SAW Filter

AFS14A35-1591.5-T3



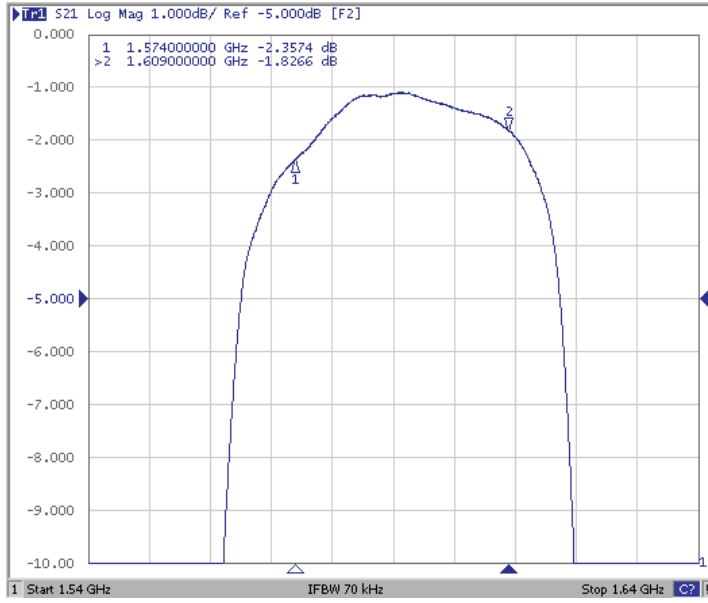
RoHS  
Compliant



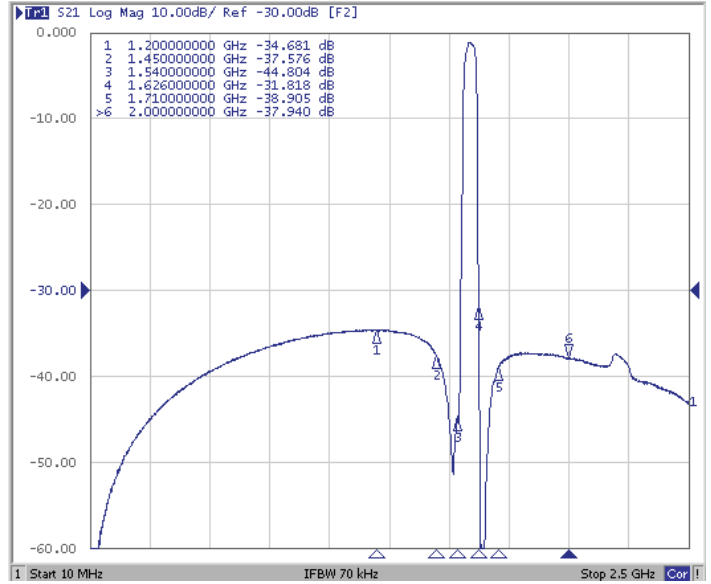
1.4 x 1.1 x 0.7 mm

## FREQUENCY CHARACTERISTICS:

### Filter Frequency Response (Narrowband)

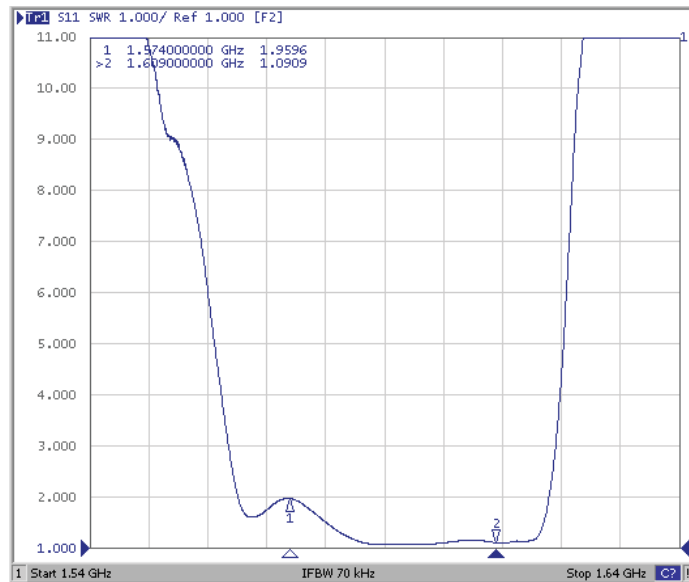


### Filter Frequency Response (Wideband)

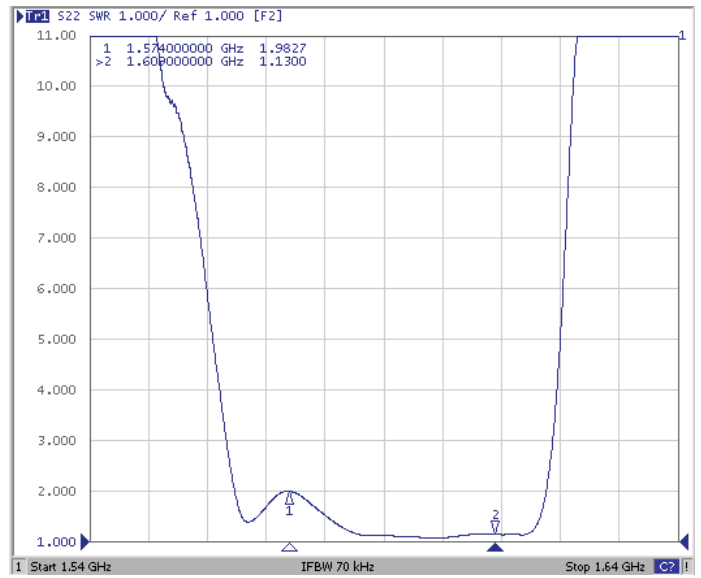


## REFLECTION FUNCTIONS:

### S11



### S22

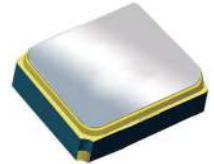


# Surface Mount 1591.5 MHz SAW Filter

AFS14A35-1591.5-T3

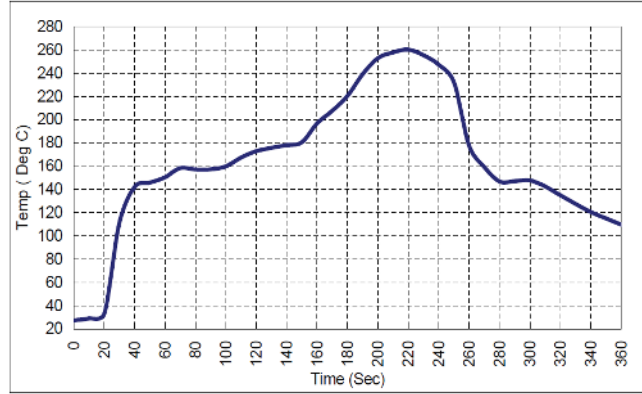


**RoHS**  
Compliant



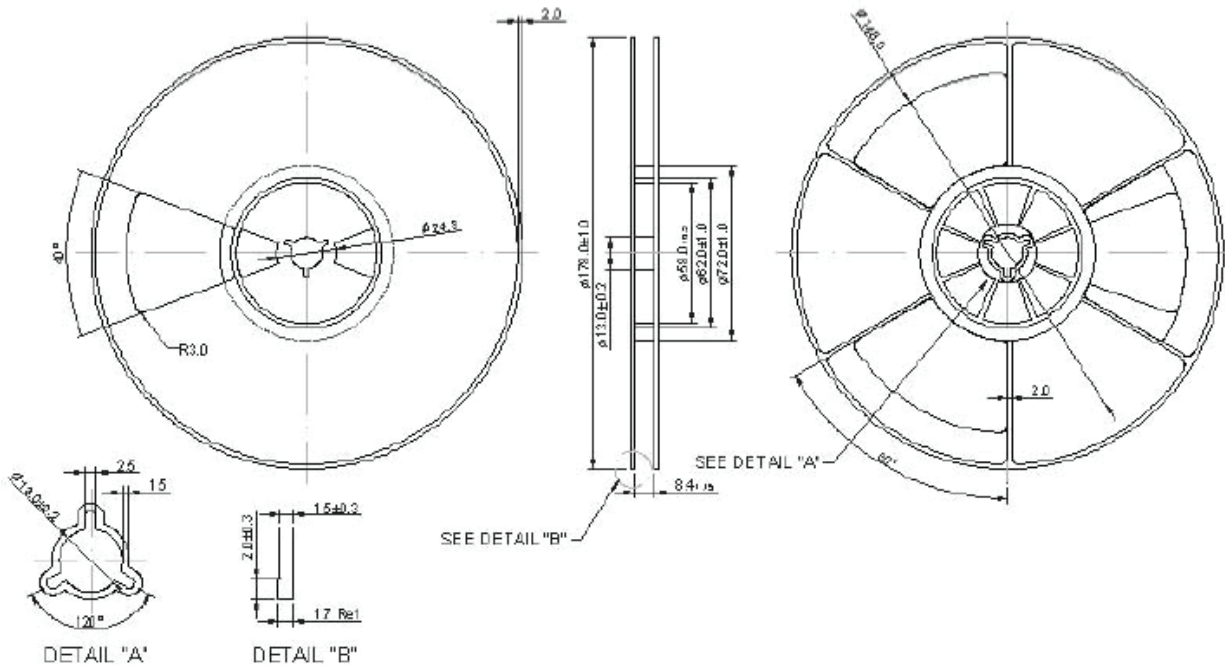
1.4 x 1.1 x 0.7 mm

## REFLOW PROFILE:



## PACKAGING: 3000 Units/Reel

Reel Count : 7" = 3k units



**ATTENTION:** Abracon Corporation's products are COTS – Commercial-Off-The-Shelf products; suitable for Commercial, Industrial and, where designated, Automotive Applications. Abracon's products are not specifically designed for Military, Aviation, Aerospace, Life-dependant Medical applications or any application requiring high reliability where component failure could result in loss of life and/or property. For applications requiring high reliability and/or presenting an extreme operating environment, written consent and authorization from Abracon Corporation is required. Please contact Abracon Corporation for more information.

ABRACON IS  
ISO 9001:2008  
CERTIFIED



Visit [www.abracon.com](http://www.abracon.com) for Terms & Conditions of Sale  
30332 Esperanza, Rancho Santa Margarita, California 92688  
tel 949-546-8000 | fax 949-546-8001 | [www.abracon.com](http://www.abracon.com)

Revised: 01.22.13