



# Low-Voltage 8:1 Mux/Dual 4:1 Mux/Triple SPDT/ Quad SPDT in UCSP Package

MAX4691-MAX4694

## General Description

The MAX4691–MAX4694 are low-voltage CMOS analog ICs configured as an 8-channel multiplexer (MAX4691), two 4-channel multiplexers (MAX4692), three single-pole/double-throw (SPDT) switches (MAX4693), and four SPDT switches (MAX4694).

The MAX4691/MAX4692/MAX4693 operate from either a single +2V to +11V power supply or dual  $\pm 2V$  to  $\pm 5.5V$  power supplies. When operating from  $\pm 5V$  supplies they offer  $25\Omega$  on-resistance ( $R_{ON}$ ),  $3.5\Omega$  (max)  $R_{ON}$  flatness, and  $3\Omega$  (max) matching between channels. The MAX4694 operates from a single +2V to +11V supply. Each switch has rail-to-rail signal handling and a low 1nA leakage current.

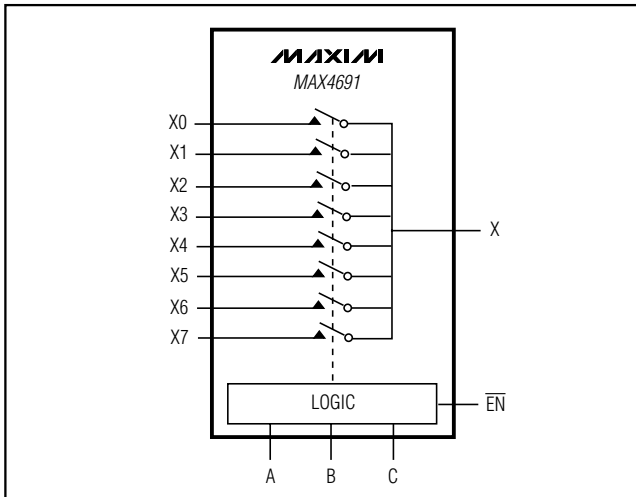
All digital inputs are 1.8V logic-compatible when operating from a +3V supply and TTL compatible when operating from a +5V supply.

The MAX4691–MAX4694 are available in 16-pin,  $4mm \times 4mm$  QFN and 16-bump UCSP packages. The chip-scale package (UCSP™) occupies a  $2mm \times 2mm$  area, significantly reducing the required PC board area.

## Applications

Audio and Video Signal Routing  
Cellular Phones  
Battery-Operated Equipment  
Communications Circuits  
Modems

## Functional Diagrams



Pin Configurations appear at end of data sheet.

Functional Diagrams continued at end of data sheet.

UCSP is a trademark of Maxim Integrated Products, Inc.

## Features

- ◆ 16 bump, 0.5mm-Pitch UCSP (2mm x 2mm)
- ◆ 1.8V Logic Compatibility
- ◆ Guaranteed On-Resistance
  - 70 $\Omega$  (max) with +2.7V Supply
  - 35 $\Omega$  (max) with +5V Supply
  - 25 $\Omega$  (max) with  $\pm 4.5V$  Dual Supplies
- ◆ Guaranteed Match Between Channels
  - 5 $\Omega$  (max) with +2.7V Supply
  - 3 $\Omega$  (max) with  $\pm 4.5V$  Dual Supplies
- ◆ Guaranteed Flatness Over Signal Range
  - 3.5 $\Omega$  (max) with  $\pm 4.5V$  Dual Supplies
- ◆ Low Leakage Currents Over Temperature
  - 20nA (max) at +85°C
- ◆ Fast 90ns Transition Time
- ◆ Guaranteed Break-Before-Make
- ◆ Single-Supply Operation from +2V to +11V
- ◆ Dual-Supply Operation from  $\pm 2V$  to  $\pm 5.5V$  (MAX4691/MAX4692/MAX4693)
- ◆ V+ to V- Signal Handling
- ◆ Low Crosstalk: -90dB (100kHz)
- ◆ High Off-Isolation: -88dB (100kHz)

## Ordering Information

PART	TEMP RANGE	PIN-PACKAGE	PKG CODE
MAX4691EBE-T	-40°C to +85°C	16-Bump UCSP*	B16-1
MAX4691EGE	-40°C to +85°C	16 QFN-EP†	G1644-1
MAX4692EBE-T	-40°C to +85°C	16-Bump UCSP*	B16-1
MAX4692EGE	-40°C to +85°C	16 QFN-EP†	G1644-1
MAX4693EBE-T	-40°C to +85°C	16-Bump UCSP*	B16-1
MAX4693EGE	-40°C to +85°C	16 QFN-EP†	G1644-1
MAX4694EBE-T	-40°C to +85°C	16-Bump UCSP*	B16-1
MAX4694EGE	-40°C to +85°C	16 QFN-EP†	G1644-1

\*Requires special solder temperature profile described in the Absolute Maximum Ratings section.

†UCSP reliability is integrally linked to the user's assembly methods, circuit board, and environment. See the UCSP Reliability Notice in the UCSP Reliability section for information.

†EP = Exposed pad.



# Low-Voltage 8:1 Mux/Dual 4:1 Mux/Triple SPDT/ Quad SPDT in UCSP Package

## ABSOLUTE MAXIMUM RATINGS

V+ to GND .....	-0.3V to +12V
V+ to V- (MAX4691/MAX4692/MAX4693) .....	-0.3V to +12V
Voltage into any Terminal (Note 1) .....	(V- - 0.3V) to (V+ + 0.3V)
Continuous Current into any Terminal .....	±20mA
Peak Current W <sub>-</sub> , X <sub>-</sub> , Y <sub>-</sub> , Z <sub>-</sub> (pulsed at 1ms, 10% duty cycle).....	±40mA
ESD per Method 3015.7.....	>2kV
Continuous Power Dissipation (T <sub>A</sub> = +70°C)	
16-Bump UCSP (derate 8.3mW/°C above +70°C) ....	659mW
16-Pin QFN (derate 18.5mW/°C above +70°C) .....	1481mW

Operating Temperature Range .....	-40°C to +85°C
Storage Temperature Range .....	-65°C to +150°C
Lead Temperature (Soldering)	
16-Bump UCSP (Note 2) Infrared (15s) .....	+220°C
Vapor Phase (60s).....	+215°C
16-Pin QFN.....	+300°C

**Note 1:** Voltages exceeding V+ or V- on any signal terminal are clamped by internal diodes. Limit forward-diode current to maximum current rating.

**Note 2:** This device is constructed using a unique set of packaging techniques that impose a limit on the thermal profile the device can be exposed to during board level solder attach and rework. This limit permits only the use of the solder profiles recommended in the industry standard specification, JEDEC 020A, paragraph 7.6, Table 3 for IR/VPR and convection reflow. Preheating is required. Hand or wave soldering is not allowed.

*Stresses beyond those listed under "Absolute Maximum Ratings" may cause permanent damage to the device. These are stress ratings only, and functional operation of the device at these or any other conditions beyond those indicated in the operational sections of the specifications is not implied. Exposure to absolute maximum rating conditions for extended periods may affect device reliability.*

## ELECTRICAL CHARACTERISTICS—Single +3V Supply

(V+ = +2.7V to +3.6V, V- = 0, V<sub>IH</sub> = +1.4V, V<sub>IL</sub> = +0.4V, T<sub>A</sub> = -40°C to +85°C, unless otherwise noted. Typical values are at T<sub>A</sub> = +25°C.) (Notes 3, 4, 5)

PARAMETER	SYMBOL	CONDITIONS	T <sub>A</sub>	MIN	TYP	MAX	UNITS
<b>ANALOG SWITCH</b>							
Analog Signal Range	V <sub>W</sub> , V <sub>X</sub> , V <sub>Y</sub> , V <sub>Z</sub> , V <sub>W-</sub> , V <sub>X-</sub> , V <sub>Y-</sub> , V <sub>Z-</sub>		-40°C to +85°C	0		V+	V
On-Resistance (Note 6)	R <sub>ON</sub>	V+ = 2.7V; I <sub>W</sub> , I <sub>X</sub> , I <sub>Y</sub> , I <sub>Z</sub> = 1mA V <sub>W-</sub> , V <sub>X-</sub> , V <sub>Y-</sub> , V <sub>Z-</sub> = 1.5V	+25°C		45	70	Ω
			-40°C to +85°C			80	
On-Resistance Match Between Channels (Notes 6, 7)	ΔR <sub>ON</sub>	V+ = 2.7V; I <sub>W</sub> , I <sub>X</sub> , I <sub>Y</sub> , I <sub>Z</sub> = 1mA V <sub>W-</sub> , V <sub>X-</sub> , V <sub>Y-</sub> , V <sub>Z-</sub> = 1.5V	+25°C		2	5	Ω
			-40°C to +85°C			6	
W <sub>-</sub> , X <sub>-</sub> , Y <sub>-</sub> , Z <sub>-</sub> Off-Leakage Current (Note 9)	I <sub>W-</sub> , I <sub>X-</sub> , I <sub>Y-</sub> , I <sub>Z-</sub>	V+ = 3.6V; V <sub>W</sub> , V <sub>X</sub> , V <sub>Y</sub> , V <sub>Z</sub> = 3V, 0.6V; V <sub>W-</sub> , V <sub>X-</sub> , V <sub>Y-</sub> , V <sub>Z-</sub> = 0.6V, 3V	+25°C	-1		1	nA
			-40°C to +85°C	-10		10	
W, X, Y, Z Off-Leakage Current (Note 9)	I <sub>W(OFF)</sub> , I <sub>X(OFF)</sub> , I <sub>Y(OFF)</sub> , I <sub>Z(OFF)</sub>	V+ = 3.6V; V <sub>W</sub> , V <sub>X</sub> , V <sub>Y</sub> , V <sub>Z</sub> = 3V, 0.6V; V <sub>W-</sub> , V <sub>X-</sub> , V <sub>Y-</sub> , V <sub>Z-</sub> = 0.6V, 3V	+25°C	-2		2	nA
			-40°C to +85°C	-20		20	
W, X, Y, Z On-Leakage Current (Note 9)	I <sub>W(ON)</sub> , I <sub>X(ON)</sub> , I <sub>Y(ON)</sub> , I <sub>Z(ON)</sub>	V+ = 3.6V; V <sub>W</sub> , V <sub>X</sub> , V <sub>Y</sub> , V <sub>Z</sub> = 0.6V, 3V; V <sub>W-</sub> , V <sub>X-</sub> , V <sub>Y-</sub> , V <sub>Z-</sub> = 0.6V, 3V, or floating	+25°C	-2		2	nA
			-40°C to +85°C	-20		20	

# Low-Voltage 8:1 Mux/Dual 4:1 Mux/Triple SPDT/ Quad SPDT in UCSP Package

## ELECTRICAL CHARACTERISTICS—Single +3V Supply (continued)

(V+ = +2.7V to +3.6V, V- = 0, VIH = +1.4V, VIL = +0.4V, TA = -40°C to +85°C, unless otherwise noted. Typical values are at TA = +25°C.) (Notes 3, 4, 5)

PARAMETER	SYMBOL	CONDITIONS	TA	MIN	TYP	MAX	UNITS
Input Off-Capacitance	CW(OFF), CX(OFF), CY(OFF), CZ(OFF)	f = 1MHz, Figure 7	+25°C		9		pF
Output Off-Capacitance	CX(OFF), CY(OFF), CZ(OFF)	f = 1MHz, Figure 7	+25°C		68		pF
					36		
					20		
On-Capacitance	CW(ON), CX(ON), CY(ON), CZ(ON)	f = 1MHz, Figure 7	+25°C		78		pF
					46		
					30		
<b>DYNAMIC</b>							
Enable Turn-On Time (MAX4691/MAX4692/ MAX4693)	tON	VW-, VX-, VY-, VZ- = 1.5V; RL = 300Ω, CL = 35pF, Figure 2	+25°C		180	300	ns
			-40°C to +85°C			350	
Enable Turn-Off Time (MAX4691/MAX4692/ MAX4693)	tOFF	VW-, VX-, VY-, VZ- = 1.5V; RL = 300Ω, CL = 35pF, Figure 2	+25°C		70	100	ns
			-40°C to +85°C			120	
Address Transition Time	tTRANS	VW-, VX-, VY-, VZ- = 0, 1.5V; RL = 300Ω, CL = 35pF, Figure 3	+25°C		200	350	ns
			-40°C to +85°C			400	
Break-Before-Make	tBBM	VW-, VX-, VY-, VZ- = 1.5V; RL = 300Ω, CL = 35pF, Figure 4	+25°C	2	90		ns
			-40°C to +85°C	2			
Charge Injection	Q	VGEN = 0; RGEN = 0; CL = 1nF, Figure 5	+25°C		0.1		pC
Off-Isolation (Note 10)	VISO	f = 0.1MHz, RL = 50Ω, CL = 5pF, Figure 6	+25°C		-70		dB
Crosstalk (Note 11)	VCT	f = 0.1MHz, RL = 50Ω, CL = 5pF, Figure 6	+25°C		-75		dB
<b>DIGITAL I/O</b>							
Input Logic High	VIH			1.4			V
Input Logic Low	VIL					0.4	V
Input Leakage Current	IIN	VA, VB, VC, VEN = 0 or V+		-1		+1	μA
<b>SUPPLY</b>							
Positive Supply Current	I+	V+ = 3.6V, VA, VB, VC, VEN = 0 or V+	+25°C			0.1	μA
			-40°C to +85°C			1	

# Low-Voltage 8:1 Mux/Dual 4:1 Mux/Triple SPDT/ Quad SPDT in UCSP Package

## ELECTRICAL CHARACTERISTICS—Single +5V Supply

( $V_+ = +4.5V$  to  $+5.5V$ ,  $V_- = 0$ ,  $V_{IH} = +2V$ ,  $V_{IL} = +0.8V$ ,  $T_A = -40^\circ C$  to  $+85^\circ C$ , unless otherwise noted. Typical values are at  $T_A = +25^\circ C$ .) (Notes 3, 4, 5)

PARAMETER	SYMBOL	CONDITIONS	$T_A$	MIN	TYP	MAX	UNITS
<b>ANALOG SWITCH</b>							
Analog Signal Range	$V_W, V_X, V_Y,$ $V_Z, V_{W-}, V_{X-},$ $V_{Y-}, V_{Z-}$		$-40^\circ C$ to $+85^\circ C$	0		$V_+$	V
On-Resistance (Note 6)	$R_{ON}$	$V_+ = 4.5V$ ; $I_W, I_X, I_Y, I_Z = 1mA$ ; $V_{W-}, V_{X-}, V_{Y-}, V_{Z-} = 3.5V$	$+25^\circ C$ $-40^\circ C$ to $+85^\circ C$		25	35 40	$\Omega$
On-Resistance Match Between Channels (Notes 6, 7)	$\Delta R_{ON}$	$V_+ = 4.5V$ ; $I_W, I_X, I_Y, I_Z = 1mA$ ; $V_{W-}, V_{X-}, V_{Y-}, V_{Z-} = 3.5V$	$+25^\circ C$ $-40^\circ C$ to $+85^\circ C$		2	4 5	$\Omega$
On-Resistance Flatness (Note 8)	$R_{FLAT(ON)}$	$V_+ = 4.5V$ ; $I_W, I_X, I_Y, I_Z = 1mA$ ; $V_{W-}, V_{X-}, V_{Y-}, V_{Z-} = 1V, 2.25V,$ $3.5V$	$+25^\circ C$ $-40^\circ C$ to $+85^\circ C$		2	6 8	$\Omega$
$W_-, X_-, Y_-, Z_-$ Off-Leakage Current (Note 9)	$I_{W-}, I_{X-},$ $I_{Y-}, I_{Z-}$	$V_+ = 5.5V$ ; $V_W, V_X, V_Y,$ $V_Z = 4.5V, 1V_-$ ; $V_{W-}, V_{X-}, V_{Y-},$ $V_{Z-} = 1V, 4.5V$	$+25^\circ C$ $-40^\circ C$ to $+85^\circ C$	-1		1 10	nA
W, X, Y, Z Off-Leakage Current (Note 9)	$I_{W(OFF)},$ $I_{X(OFF)},$ $I_{Y(OFF)},$ $I_{Z(OFF)}$	$V_+ = 5.5V$ ; $V_W, V_X, V_Y,$ $V_Z = 4.5V, 1V_-$ ; $V_{W-}, V_{X-}, V_{Y-},$ $V_{Z-} = 1V, 4.5V$	$+25^\circ C$ $-40^\circ C$ to $+85^\circ C$	-2		2 20	nA
W, X, Y, Z On-Leakage Current (Note 9)	$I_{W(ON)},$ $I_{X(ON)},$ $I_{Y(ON)},$ $I_{Z(ON)}$	$V_+ = 5.5V$ ; $V_W, V_X, V_Y, V_Z = 1V,$ $4.5V_-$ ; $V_{W-}, V_{X-}, V_{Y-}, V_{Z-} = 1V,$ $4.5V$ , or floating	$+25^\circ C$ $-40^\circ C$ to $+85^\circ C$	-2		2 20	nA
<b>DYNAMIC</b>							
Enable Turn-On Time (MAX4691/MAX4692/MAX4693)	$t_{ON}$	$V_{W-}, V_{X-}, V_{Y-}, V_{Z-} = 3V$ ; $R_L =$ $300\Omega$ , $C_L = 35pF$ , Figure 2	$+25^\circ C$ $-40^\circ C$ to $+85^\circ C$		90	130 150	ns
Enable Turn-Off Time (MAX4691/MAX4692/MAX4693)	$t_{OFF}$	$V_{W-}, V_{X-}, V_{Y-}, V_{Z-} = 3V$ ; $R_L =$ $300\Omega$ , $C_L = 35pF$ , Figure 2	$+25^\circ C$ $-40^\circ C$ to $+85^\circ C$		45	60 70	ns
Address Transition Time	$t_{TRANS}$	$V_{W-}, V_{X-}, V_{Y-}, V_{Z-} = 0, 3V$ ; $R_L = 300\Omega$ , $C_L = 35pF$ , Figure 3	$+25^\circ C$ $-40^\circ C$ to $+85^\circ C$		100	140 160	ns
Break-Before-Make	$t_{BBM}$	$V_{W-}, V_{X-}, V_{Y-}, V_{Z-} = 3V$ ; $R_L =$ $300\Omega$ , $C_L = 35pF$ , Figure 4	$+25^\circ C$ $-40^\circ C$ to $+85^\circ C$		2	35 2	ns
Charge Injection	Q	$V_{GEN} = 0$ ; $R_{GEN} = 0$ ; $C_L = 1nF$ , Figure 5	$+25^\circ C$		0.2		pC

# Low-Voltage 8:1 Mux/Dual 4:1 Mux/Triple SPDT/ Quad SPDT in UCSP Package

## ELECTRICAL CHARACTERISTICS—Single +5V Supply (continued)

(V+ = +4.5V to +5.5V, V- = 0, VIH = +2V, VIL = +0.8V, TA = -40°C to +85°C, unless otherwise noted. Typical values are at TA = +25°C.) (Notes 3, 4, 5)

PARAMETER	SYMBOL	CONDITIONS	TA	MIN	TYP	MAX	UNITS
Off-Isolation (Note 10)	VISO	f = 0.1MHz, RL = 50Ω, CL = 5pF, Figure 6	+25°C		-80		dB
Crosstalk (Note 11)	VCT	f = 0.1MHz, RL = 50Ω, CL = 5pF, Figure 6	+25°C		-87		dB
<b>DIGITAL I/O</b>							
Input Logic High	VIH			2			V
Input Logic Low	VIL					0.8	V
Input Leakage Current	IIN	VA, VB, VC, VEN = 0 or V+		-1		+1	μA
<b>SUPPLY</b>							
Positive Supply Current	I+	V+ = 5.5V; VA, VB, VC, VEN = 0 or V+	+25°C			0.1	μA
			-40°C to +85°C			1	

## ELECTRICAL CHARACTERISTICS—Dual ±5V Supplies (MAX4691/MAX4692/MAX4693 only)

(V+ = +4.5V to +5.5V, V- = -4.5V to -5.5V, VIH = +2V, VIL = +0.8V, TA = -40°C to +85°C, unless otherwise noted.) (Notes 3, 4, 5)

PARAMETER	SYMBOL	CONDITIONS	TA	MIN	TYP	MAX	UNITS
<b>ANALOG SWITCH</b>							
Analog Signal Range	VX, VY, VZ, VX-, VY-, VZ-		-40°C to +85°C	V-		V+	V
On-Resistance (Note 6)	RON	V+ = 4.5V; IX, IY, IZ = 10mA; V- = -4.5V; VX-, VY-, VZ- = 3.5V	+25°C		18	25	Ω
			-40°C to +85°C			30	
On-Resistance Match Between Channels (Notes 6, 7)	ΔRON	V+ = 4.5V; V- = -4.5V; IX, IY, IZ = 10mA; VX-, VY-, VZ- = 3.5V	+25°C		2	3	Ω
			-40°C to +85°C			4	
On-Resistance Flatness (Note 8)	RFLAT(ON)	V+ = 4.5V; V- = -4.5V; IX, IY, IZ = 10mA; VX, VY, VZ = 3.5V, 0, -3.5V	+25°C		2.5	3.5	Ω
			-40°C to +85°C			4	
X-, Y-, Z- Off-Leakage Current (Note 9)	IX-, IY-, IZ-	V+ = 5.5V; V- = -5.5V; VX, VY, VZ = +4.5V; VX-, VY-, VZ- = ±4.5V	+25°C	-1		1	nA
			-40°C to +85°C		-10	10	
X, Y, Z Off-Leakage Current (Note 9)	IX(OFF), IY(OFF), IZ(OFF)	V+ = 5.5V; V- = -5.5V; VX, VY, VZ = +4.5V; VX-, VY-, VZ- = ±4.5V	+25°C	-2		2	nA
			-40°C to +85°C		-20	20	

# Low-Voltage 8:1 Mux/Dual 4:1 Mux/Triple SPDT/Quad SPDT in UCSP Package

## ELECTRICAL CHARACTERISTICS—Dual $\pm 5\text{V}$ Supplies (continued) (MAX4691/MAX4692/MAX4693 only)

( $V_+$  = +4.5V to +5.5V,  $V_-$  = -4.5V to -5.5V,  $V_{IH}$  = +2V,  $V_{IL}$  = +0.8V,  $T_A$  = -40°C to +85°C, unless otherwise noted.) (Notes 3, 4, 5)

PARAMETER	SYMBOL	CONDITIONS	$T_A$	MIN	TYP	MAX	UNITS
X, Y, Z On-Leakage Current (Note 9)	$I_{X(ON)}$ , $I_{Y(ON)}$ , $I_{Z(ON)}$	$V_+$ = 5.5V; $V_-$ = -5.5V; $V_X$ , $V_Y$ , $V_Z$ = $\pm 4.5\text{V}$ ; $V_{X-}$ , $V_{Y-}$ , $V_{Z-}$ = $\pm 4.5\text{V}$ , or floating	+25°C	-2		2	nA
			-40°C to +85°C	-20		20	
<b>DYNAMIC</b>							
Enable Turn-On Time	$t_{ON}$	$V_{X-}$ , $V_{Y-}$ , $V_{Z-}$ = 3V; $R_L$ = 300 $\Omega$ , $C_L$ = 35pF, Figure 2	+25°C		55	80	ns
			-40°C to +85°C			90	
Enable Turn-Off Time	$t_{OFF}$	$V_{X-}$ , $V_{Y-}$ , $V_{Z-}$ = 3V; $R_L$ = 300 $\Omega$ , $C_L$ = 35pF, Figure 2	+25°C		35	50	ns
			-40°C to +85°C			60	
Address Transition Time	$t_{TRANS}$	$V_{X-}$ , $V_{Y-}$ , $V_{Z-}$ = 0, 3V; $R_L$ = 300 $\Omega$ , $C_L$ = 35pF, Figure 3	+25°C		60	90	ns
			-40°C to +85°C			100	
Break-Before-Make	$t_{BBM}$	$V_{X-}$ , $V_{Y-}$ , $V_{Z-}$ = 3V; $R_L$ = 300 $\Omega$ , $C_L$ = 35pF, Figure 4	+25°C	2	20		ns
			-40°C to +85°C	2			
Charge Injection	Q	$V_{GEN} = 0$ ; $R_{GEN} = 0$ ; $C_L = 1\text{nF}$ , Figure 5	+25°C		1.8		pC
Off-Isolation (Note 10)	$V_{ISO}$	$f = 0.1\text{MHz}$ , $R_L = 50\Omega$ , $C_L = 5\text{pF}$ , Figure 6	+25°C		-82		dB
Crosstalk (Note 11)	$V_{CT}$	$f = 0.1\text{MHz}$ , $R_L = 50\Omega$ , $C_L = 5\text{pF}$ , Figure 7	+25°C		-84		dB
Total Harmonic Distortion	THD	$f = 20\text{Hz}$ to 20kHz, $V_X$ , $V_Y$ , $V_Z = 5\text{Vp-p}$ ; $R_L = 600\Omega$ ,	+25°C		0.02		%
<b>DIGITAL I/O</b>							
Input Logic High	$V_{IH}$			2			V
Input Logic Low	$V_{IL}$					0.8	V
Input Leakage Current	$I_{IN}$	$V_A$ , $V_B$ , $V_C$ , $V_{EN} = 0$ or $V_+$		-1		+1	$\mu\text{A}$
<b>SUPPLY</b>							
Positive Supply Current	$I_+$	$V_+$ = 5.5V; $V_-$ = 5.5V; $V_A$ , $V_B$ , $V_C$ , $V_{EN} = 0$ or $V_+$	+25°C			0.1	$\mu\text{A}$
			-40°C to +85°C			1	

**Note 3:** The algebraic convention, where the most negative value is a minimum and the most positive value is a maximum, is used in this data sheet.

**Note 4:** UCSP parts are 100% tested at  $T_A = +25^\circ\text{C}$ . Limits across the full temperature range are guaranteed by correlation.

**Note 5:** QFN parts are 100% tested at  $T_A = +85^\circ\text{C}$ . Limits across the full temperature range are guaranteed by correlation.

**Note 6:** UCSP  $R_{ON}$  and  $R_{ON}$  match are guaranteed by design.

**Note 7:**  $\Delta R_{ON} = R_{ON(MAX)} - R_{ON(MIN)}$ .

**Note 8:** Flatness is defined as the difference between the maximum and minimum value of on-resistance as measured over the specified analog signal ranges.

**Note 9:** Leakage parameters are guaranteed by design.

**Note 10:** Off-isolation =  $20\log_{10}(V_{W,X,Y,Z} / V_{W-,X-,Y-,Z-})$ ,  $V_{W,X,Y,Z}$  = output,  $V_{W-,X-,Y-,Z-}$  = input to off switch.

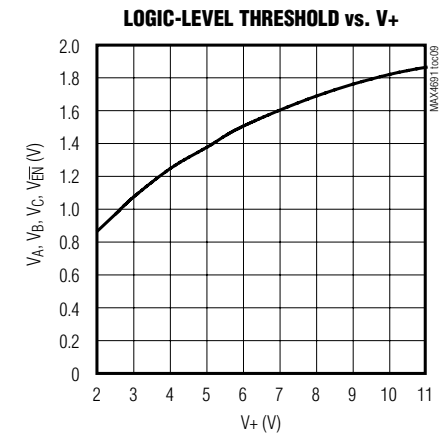
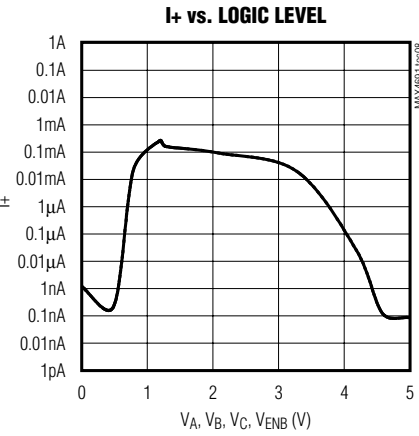
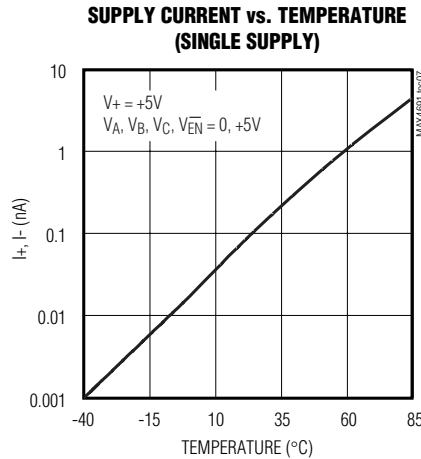
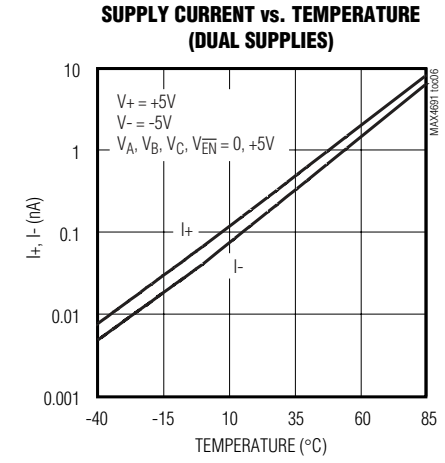
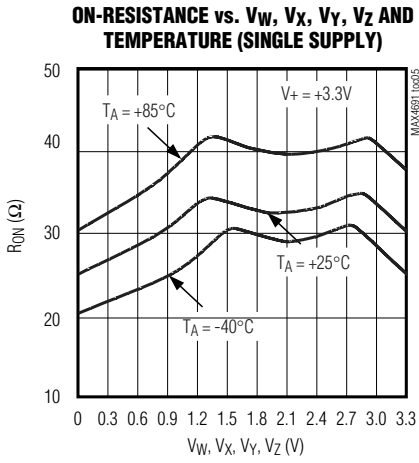
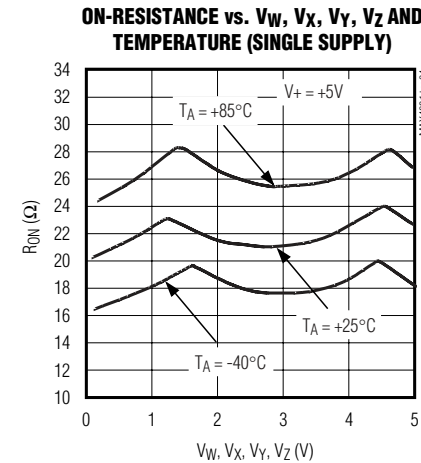
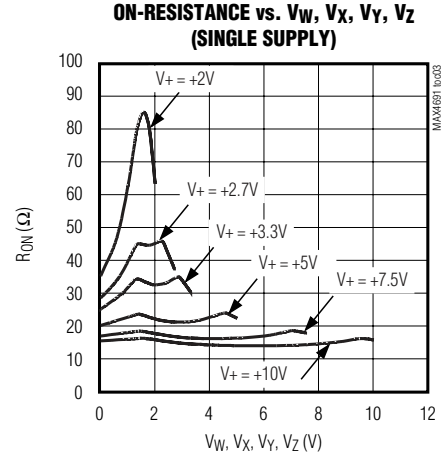
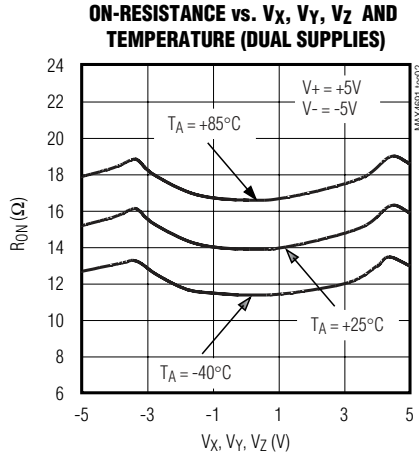
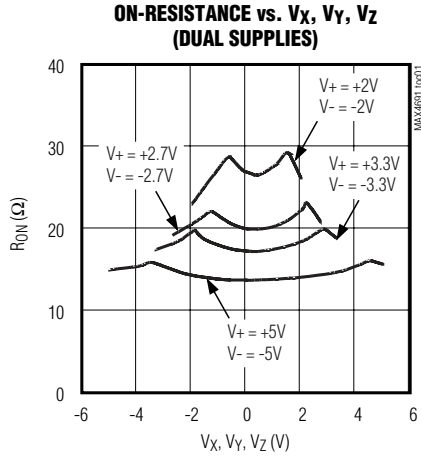
**Note 11:** Between any two switches.

# Low-Voltage 8:1 Mux/Dual 4:1 Mux/Triple SPDT/Quad SPDT in UCSP Package

## Typical Operating Characteristics

( $T_A = +25^\circ\text{C}$ , unless otherwise noted.)

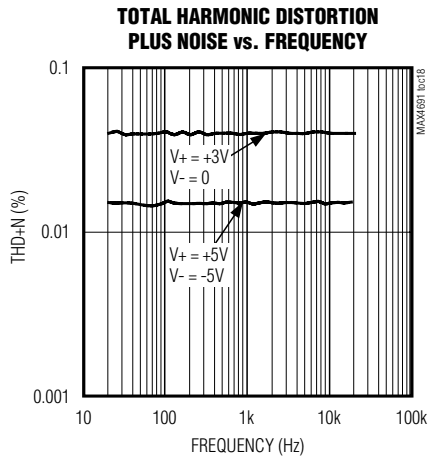
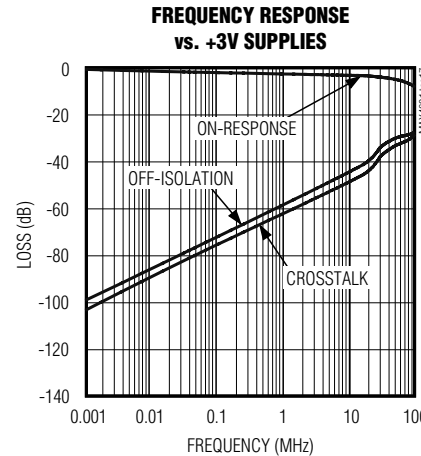
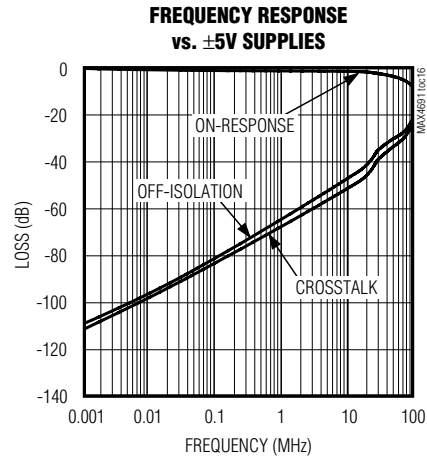
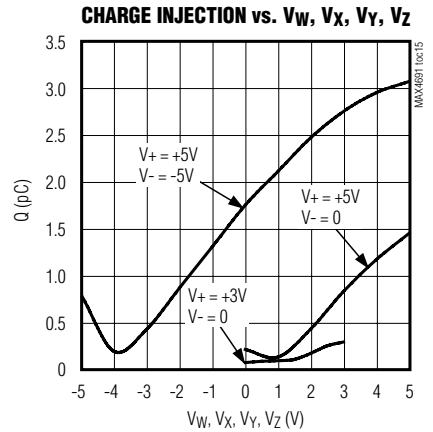
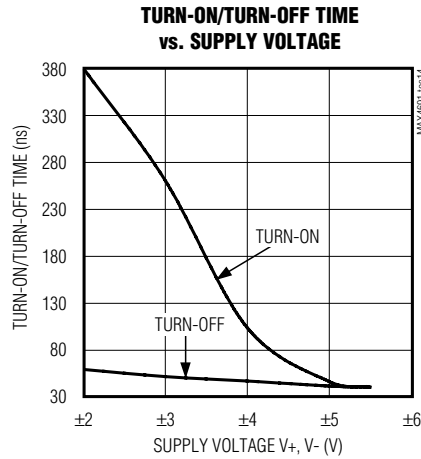
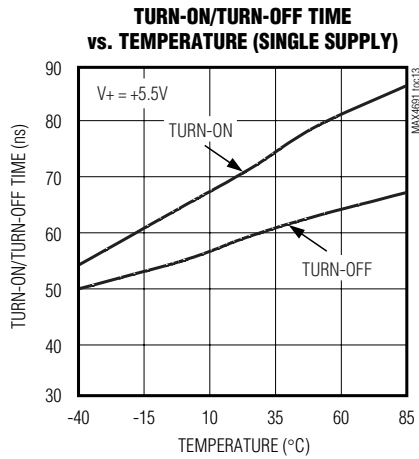
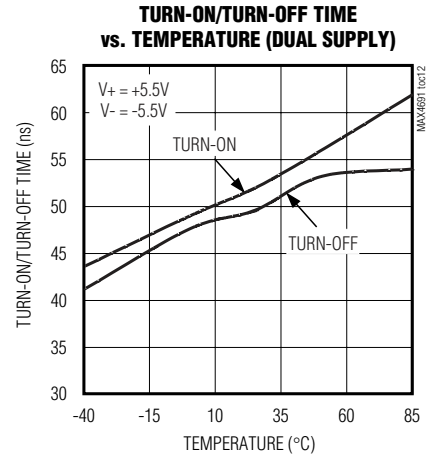
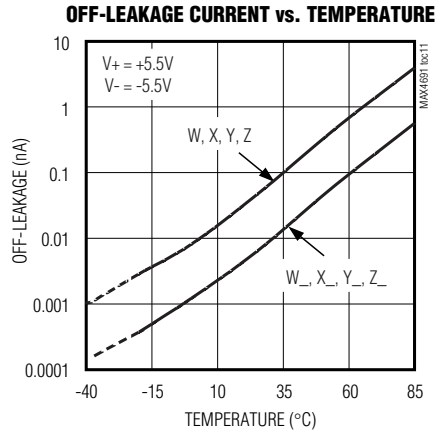
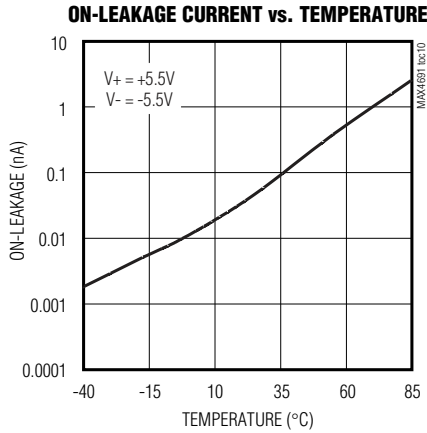
MAX4691-MAX4694



# Low-Voltage 8:1 Mux/Dual 4:1 Mux/Triple SPDT/Quad SPDT in UCSP Package

## Typical Operating Characteristics (continued)

( $T_A = +25^\circ\text{C}$ , unless otherwise noted.)





# Low-Voltage 8:1 Mux/Dual 4:1 Mux/Triple SPDT/ Quad SPDT in UCSP Package

## Pin Description

### MAX4691

PIN		NAME	FUNCTION
UCSP	QFN		
A4, B4, C4, D4, A1, B1, C1, D1	16, 1, 3, 4, 12, 11, 9, 8	X0–X7	Analog Switch Inputs 0–7
A2	13	X	Analog Switch Common
D3, D2, A3	5, 7, 15	A, B, C	Digital Address Inputs
B2	14	V-	Negative Analog Supply Voltage Input. Connect to GND for single-supply operation.
B3	2	GND	Ground. Connect to digital ground. (Analog signals have no ground reference; they are limited to V+ and V-.)
C2	10	$\overline{EN}$	Digital Enable Input. Normally connect to GND. Can be driven to logic high to set all switches off.
C3	6	V+	Positive Analog and Digital Supply Voltage Input
—	EP	EP	Exposed Pad. Connect to V+.

### MAX4692

PIN		NAME	FUNCTION
UCSP	QFN		
A1, B1, C1, D1	12, 11, 9, 8	X0–X3	Analog Switch “X” Inputs 0–3
A4, B4, C4, D4	16, 1, 3, 4	Y0–Y3	Analog Switch “Y” Inputs 0–3
A2	13	X	Analog Switch “X” Common
A3	15	Y	Analog Switch “Y” Common
D3, D2	5, 7	A, B	Digital Address Inputs for both “X” and “Y” Analog Switches
B2	14	V-	Negative Analog Supply Voltage Input. Connect to GND for single-supply operation.
B3	2	GND	Ground. Connect to digital ground. (Analog signals have no ground reference; they are limited to V+ and V-.)
C2	10	$\overline{EN}$	Digital Enable Input. Normally connect to GND. Can be driven to logic high to set all switches off.
C3	6	V+	Positive Analog and Digital Supply Voltage Input
—	EP	EP	Exposed Pad. Connect to V+.

**MAX4691–MAX4694**

# Low-Voltage 8:1 Mux/Dual 4:1 Mux/Triple SPDT/ Quad SPDT in UCSP Package

## Pin Description (continued)

### MAX4693

PIN		NAME	FUNCTION
UCSP	QFN		
A1	12	X0	Analog Switch "X" Normally Closed Input
B1	11	X1	Analog Switch "X" Normally Open Input
A4	16	Y0	Analog Switch "Y" Normally Closed Input
B4	1	Y1	Analog Switch "Y" Normally Open Input
D1	8	Z0	Analog Switch "Z" Normally Closed Input
C1	9	Z1	Analog Switch "Z" Normally Open Input
A2	13	X	Analog Switch "X" Common
A3	15	Y	Analog Switch "Y" Common
D2	7	Z	Analog Switch "Z" Common
C4	3	A	Analog Switch "X" Digital Control Input
D4	4	B	Analog Switch "Y" Digital Control Input
D3	5	C	Analog Switch "Z" Digital Control Input
B2	14	V-	Negative Analog Supply Voltage Input. Connect to GND for single-supply operation.
B3	2	GND	Ground. Connect to digital ground. (Analog signals have no ground reference; they are limited to V+ and V-.)
C2	10	$\overline{\text{EN}}$	Digital Enable Input. Normally connect to GND. Can be driven to logic high to set all switches off.
C3	6	V+	Positive Analog and Digital Supply Voltage Input
—	EP	EP	Exposed Pad. Connect to V+.

# Low-Voltage 8:1 Mux/Dual 4:1 Mux/Triple SPDT/ Quad SPDT in UCSP Package

## Pin Description (continued)

### MAX4694

PIN		NAME	FUNCTION
USCP	QFN		
D4	4	W0	Analog Switch "W" Normally Closed Input
C4	3	W1	Analog Switch "W" Normally Open Input
A1	12	X0	Analog Switch "X" Normally Closed Input
B1	11	X1	Analog Switch "X" Normally Open Input
A4	16	Y0	Analog Switch "Y" Normally Closed Input
B4	1	Y1	Analog Switch "Y" Normally Open Input
D1	8	Z0	Analog Switch "Z" Normally Closed Input
C1	9	Z1	Analog Switch "Z" Normally Open Input
D3	5	W	Analog Switch "W" Common
A2	13	X	Analog Switch "X" Common
A3	15	Y	Analog Switch "Y" Common
D2	7	Z	Analog Switch "Z" Common
B2	14	GND	Ground
B3	2	A	Analog Switch "W" and "Y" Digital Control Input
C2	10	B	Analog Switch "X" and "Z" Digital Control Input
C3	6	V+	Positive Analog and Digital Supply Voltage Input
—	EP	EP	Exposed Pad. Connect to V+.

**MAX4691-MAX4694**

# Low-Voltage 8:1 Mux/Dual 4:1 Mux/Triple SPDT/ Quad SPDT in UCSP Package

Table 1. Truth Table/Switch Programming

$\overline{EN}^1$	ADDRESS BITS			ON SWITCHES			
	C <sup>2</sup>	B	A	MAX4691	MAX4692	MAX4693	MAX4694
1	X	X	X	All switches open	All switches open	All switches open	—
0	0	0	0	X-X0	X-X0, Y-Y0	X-X0, Y-Y0, Z-Z0	W-W0, X-X0, Y-Y0, Z-Z0
0	0	0	1	X-X1	X-X1, Y-Y1	X-X1, Y-Y0, Z-Z0	W-W1, X-X0, Y-Y1, Z-Z0
0	0	1	0	X-X2	X-X2, Y-Y2	X-X0, Y-Y1, Z-Z0	W-W0, X-X1, Y-Y0, Z-Z1
0	0	1	1	X-X3	X-X3, Y-Y3	X-X1, Y-Y1, Z-Z0	W-W1, X-X1, Y-Y1, Z-Z1
0	1	0	0	X-X4	X-X0, Y-Y0	X-X0, Y-Y0, Z-Z1	W-W0, X-X0, Y-Y0, Z-Z0
0	1	0	1	X-X5	X-X1, Y-Y1	X-X1, Y-Y0, Z-Z1	W-W1, X-X0, Y-Y1, Z-Z0
0	1	1	0	X-X6	X-X2, Y-Y2	X-X0, Y-Y1, Z-Z1	W-W0, X-X1, Y-Y0, Z-Z1
0	1	1	1	X-X7	X-X3, Y-Y3	X-X1, Y-Y1, Z-Z1	W-W1, X-X1, Y-Y1, Z-Z1

X = Don't care

1.  $\overline{EN}$  is not present on the MAX4694.

2. C is not present on the MAX4692 and MAX4694.

## Detailed Description

The MAX4691–MAX4694 are low-voltage CMOS analog ICs configured as an 8-channel multiplexer (MAX4691), two 4-channel multiplexers (MAX4692), three SPDT switches (MAX4693), and four SPDT switches (MAX4694). All switches are bidirectional.

The MAX4691/MAX4692/MAX4693 operate from either a single +2V to +11V power supply or dual  $\pm 2V$  to  $\pm 5.5V$  power supplies. When operating from  $\pm 5V$  supplies they offer 25 $\Omega$  on-resistance ( $R_{ON}$ ), 3.5 $\Omega$  max  $R_{ON}$  flatness, and 3 $\Omega$  max matching between channels. The MAX4694 operates from a single +2V to +11V supply. Each switch has rail-to-rail signal handling, fast switching times of  $t_{ON} = 80ns$ ,  $t_{OFF} = 50ns$ , and a low 1nA leakage current.

All digital inputs are 1.8V logic-compatible when operating from a +3V supply and TTL-compatible when operating from a +5V supply.

### Digital Inputs

The MAX4691 and MAX4692 include address pins that allow control of the multiplexers. For the MAX4691, pins

A, B, C determine which switch is closed. The two 4-1 muxes in the MAX4692 are controlled by the same address pins (A and B). (Table 1)

The MAX4693 and MAX4694 offer SPDT switches in triple and quadruple packages. In the MAX4693, each switch has a unique control input. The MAX4694 has two digital control inputs: A (for switches “W” and “Y”) and B (for switches “X” and “Z”). (Table 1)

## Applications Information

### Power-Supply Considerations

#### Overview

The MAX4691–MAX4694 construction is typical of most CMOS analog switches.  $V_+$  and  $V_-^*$  are used to drive the internal CMOS switches and set the limits of the analog voltage on any switch. Reverse ESD-protection diodes are internally connected between each analog signal pin and both  $V_+$  and  $V_-$ . If any analog signal exceeds  $V_+$  or  $V_-$ , one of these diodes will conduct.

\* $V_-$  is found only on the MAX4691/MAX4692/MAX4693.

# Low-Voltage 8:1 Mux/Dual 4:1 Mux/Triple SPDT/Quad SPDT in UCSP Package

During normal operation, these (and other) reverse-biased ESD diodes leak, forming the only current drawn from V+ or V-.

Virtually all the analog leakage current comes from the ESD diodes. Although the ESD diodes on a given signal pin are identical, and therefore fairly well balanced, they are reverse biased differently. Each is biased by either V+ or V- and the analog signal. This means their leakages will vary as the signal varies. The *difference* in the two diode leakages to the V+ and V- pins constitutes the analog signal path leakage current. All analog leakage current flows between each pin and one of the supply terminals, not to the other switch terminal. This is why both sides of a given switch can show leakage currents of either the same or opposite polarity.

V+ and GND power the internal logic and logic-level translators, and set both the input and output logic limits. The logic-level translators convert the logic levels into switched V+ and V- signals to drive the gates of the analog signals. This drive signal is the only connection between the logic supplies (and signals) and the analog supplies. V+ and V- have ESD-protection diodes on GND.

### Bipolar Supplies

The MAX4691/MAX4692/MAX4693 operate with bipolar supplies between ±2V and ±5.5V. The V+ and V- supplies need not be symmetrical, but their difference cannot exceed the absolute maximum rating of +12V.

### Single Supply

These devices operate from a single supply between +2V and +11V when V- is connected to GND. All of the bipolar precautions must be observed. At room temperature, they operate with a single supply at near or below +2V, although as supply voltage decreases, switch on-resistance and switching times become very high.

Always bypass supplies with a 0.1µF capacitor.

### Overvoltage Protection

Proper power-supply sequencing is recommended for all CMOS devices. Do not exceed the absolute maximum ratings, because stresses beyond the listed ratings can cause permanent damage to the devices. Always sequence V+ on first, then V-, followed by the logic inputs and by W, X, Y, Z. If power-supply sequencing is not possible, add two small signal diodes (D1, D2) in series with the supply pins for overvoltage protection (Figure 1).

Adding diodes reduces the analog signal range to one diode drop below V+ and one diode drop above V-, but does not affect the devices' low switch resistance and low leakage characteristics. Device operation is

unchanged, and the difference between V+ and V- should not exceed 12V. These protection diodes are not recommended when using a single supply if signal levels must extend to ground.

### UCSP Reliability

The chip-scale package (UCSP) represents a unique package that greatly reduces board space compared to other packages. UCSP reliability is integrally linked to the user's assembly methods, circuit board material, and usage environment. The user should closely review these areas when considering a UCSP. Performance through Operating Life Test and Moisture Resistance is equal to conventional package technology as it is primarily determined by the wafer-fabrication process. However, this form factor may not perform equally to a packaged product through traditional mechanical reliability tests.

Mechanical stress performance is a greater consideration for a UCSP. UCSP solder joint contact integrity must be considered since the package is attached through direct solder contact to the user's PC board. Testing done to characterize the UCSP reliability performance shows that it is capable of performing reliably through environmental stresses. Results of environmental stress tests and additional usage data and recommendations are detailed in the UCSP application note, which can be found on Maxim's website, at [www.maxim-ic.com](http://www.maxim-ic.com).

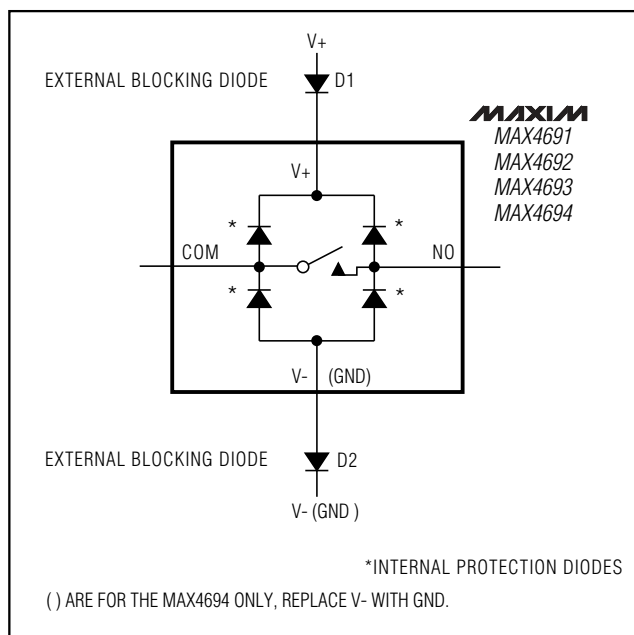


Figure 1. Overvoltage Protection

# Low-Voltage 8:1 Mux/Dual 4:1 Mux/Triple SPDT/Quad SPDT in UCSP Package

## Test Circuits/Timing Diagrams

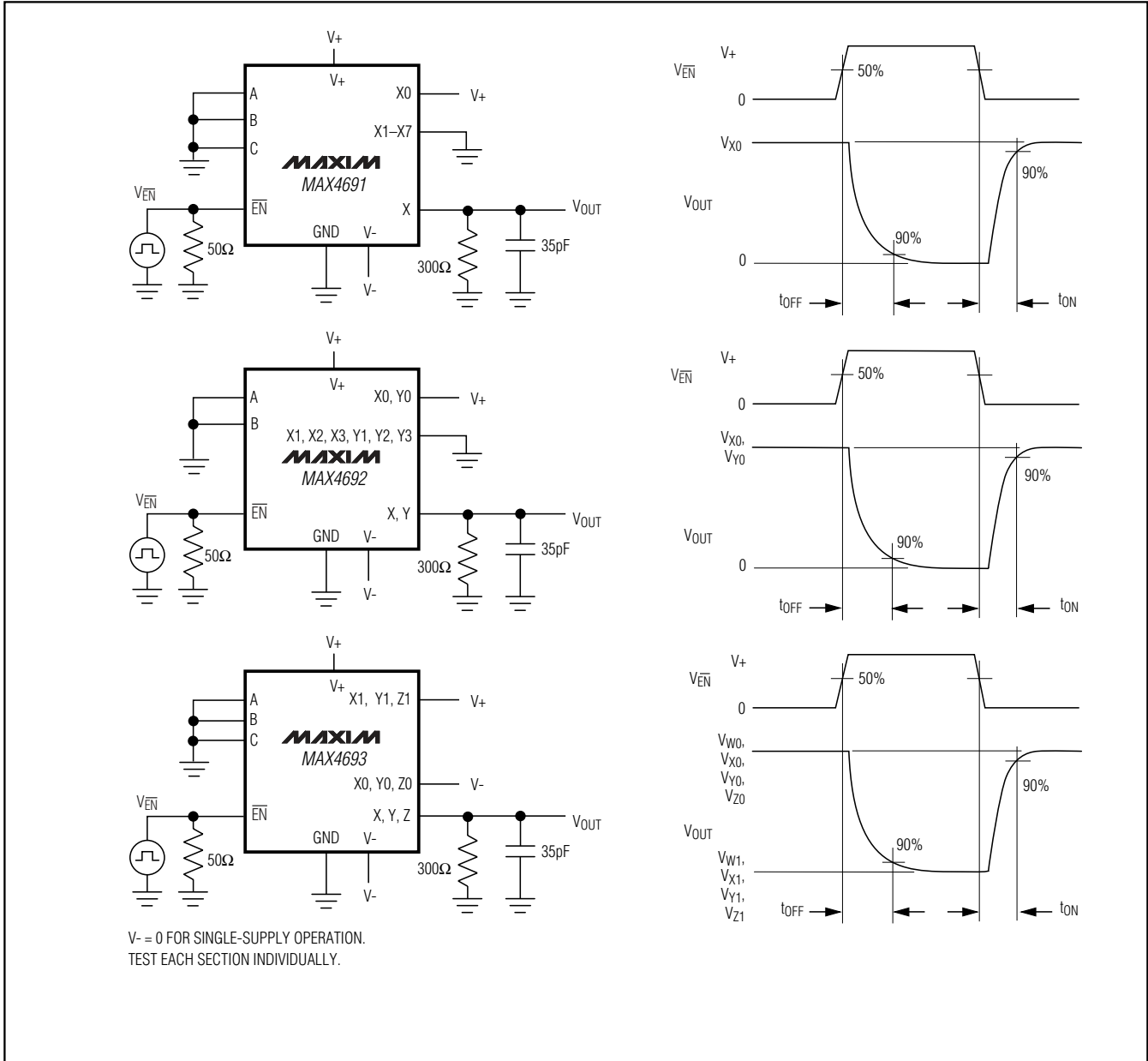


Figure 2. Enable Transition Time

# Low-Voltage 8:1 Mux/Dual 4:1 Mux/Triple SPDT/ Quad SPDT in UCSP Package

## Test Circuits/Timing Diagrams (continued)

MAX4691-MAX4694

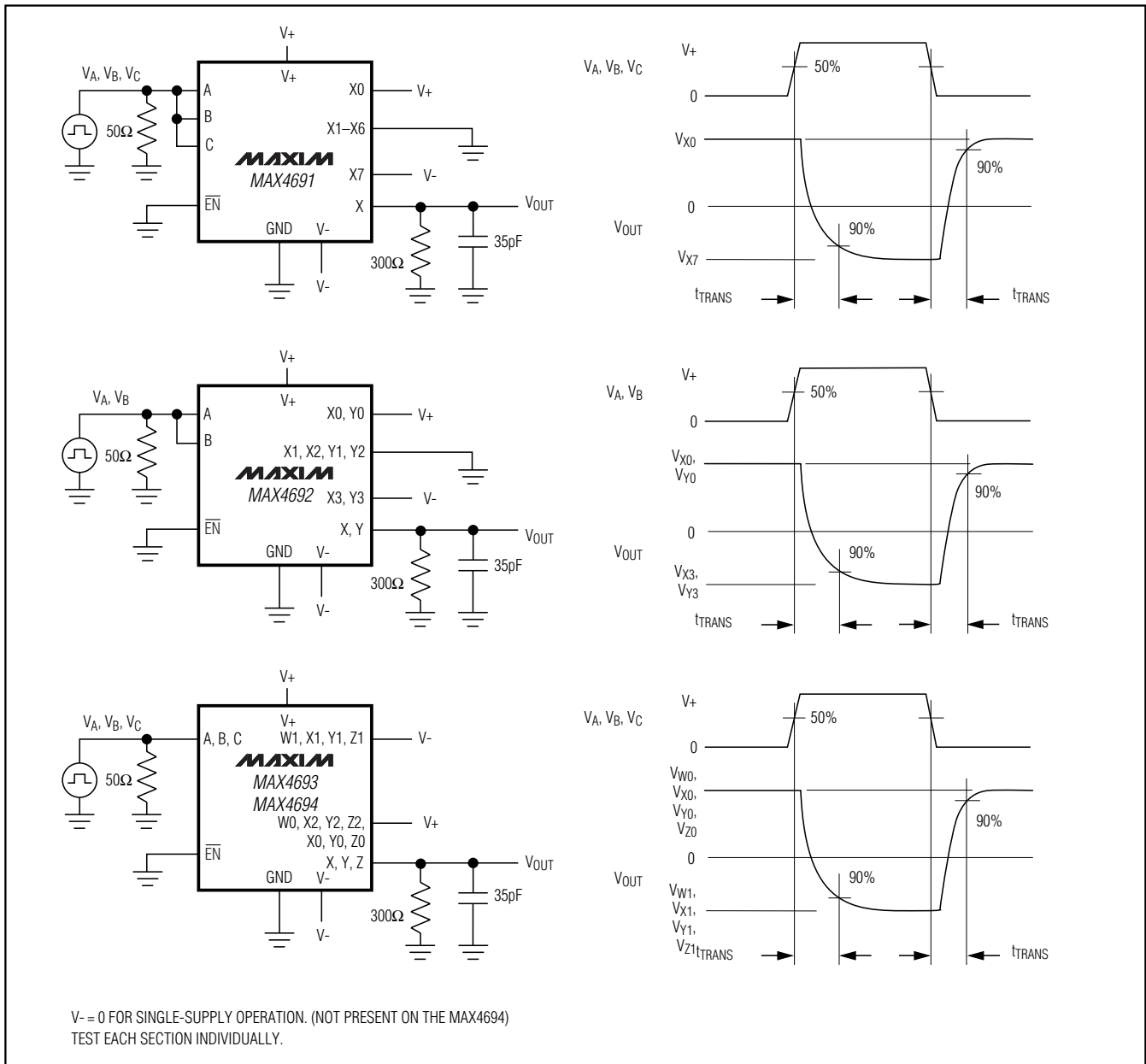


Figure 3. Address Transition Time

# Low-Voltage 8:1 Mux/Dual 4:1 Mux/Triple SPDT/Quad SPDT in UCSP Package

## Test Circuits/Timing Diagrams (continued)

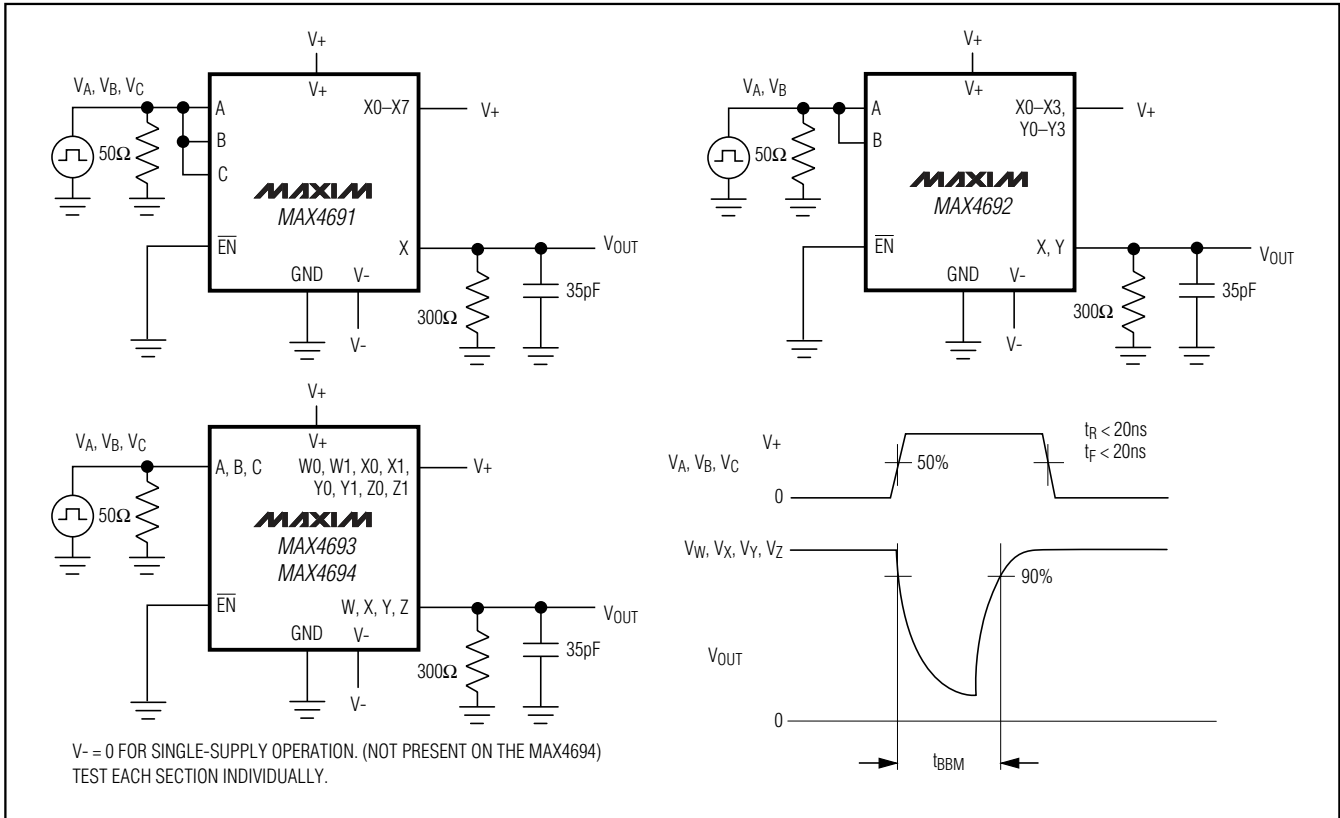


Figure 4. Break-Before-Make Interval

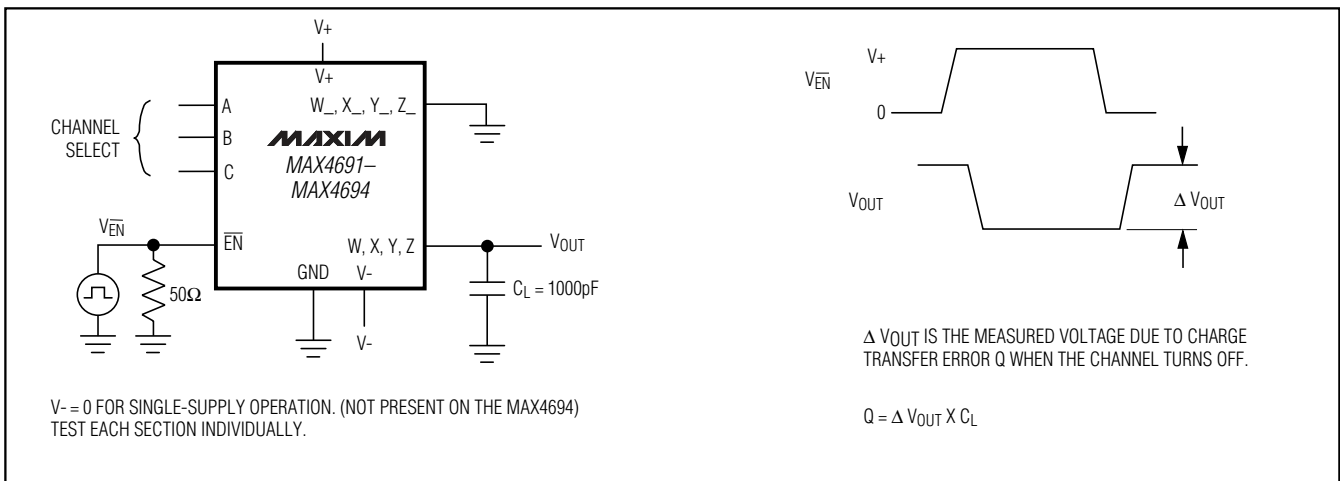


Figure 5. Charge Injection



# Low-Voltage 8:1 Mux/Dual 4:1 Mux/Triple SPDT/ Quad SPDT in UCSP Package

## Test Circuits/Timing Diagrams (continued)

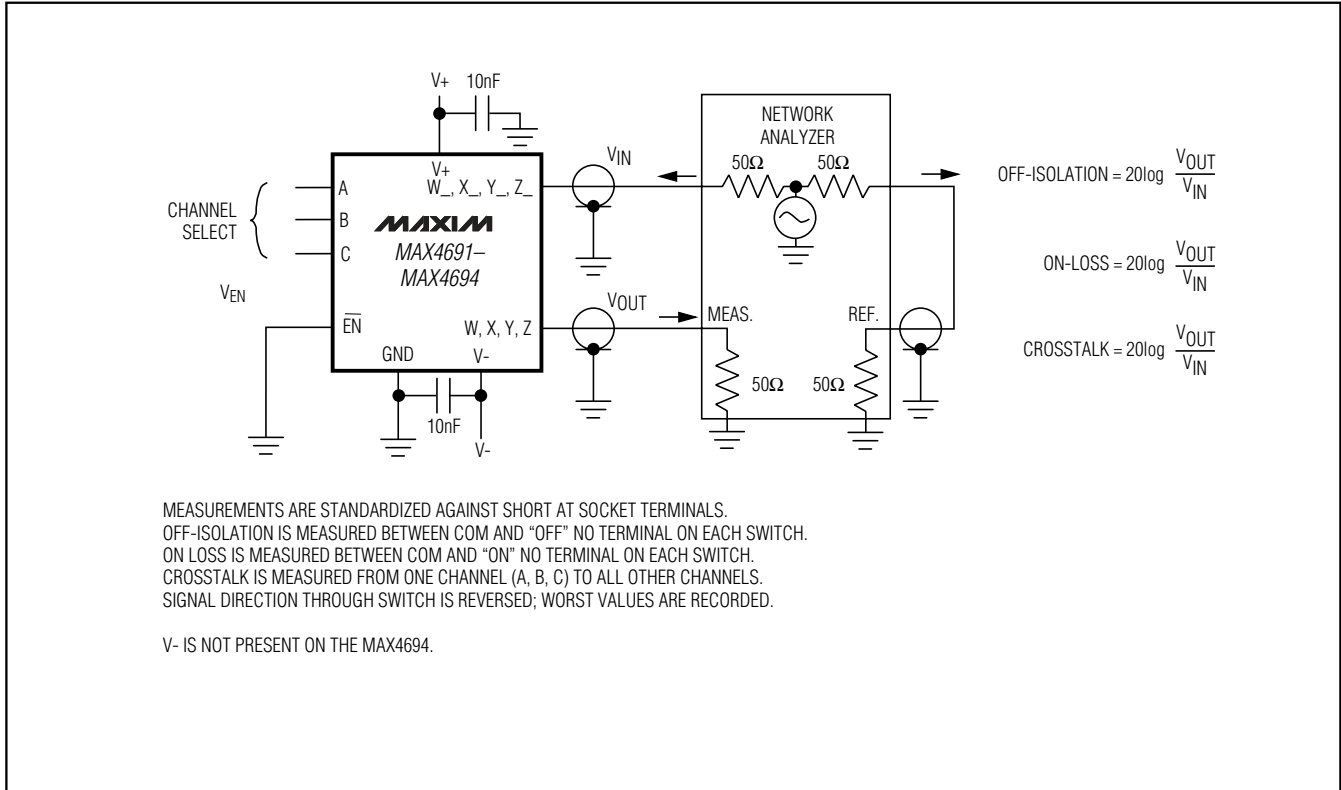


Figure 6. Off-Isolation, On-Loss, and Crosstalk

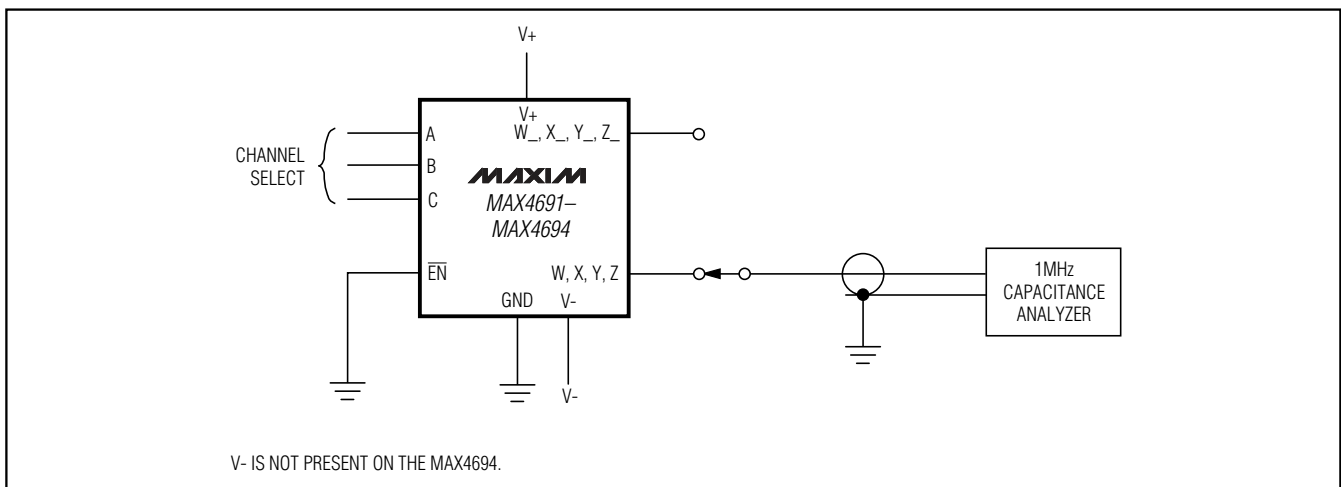
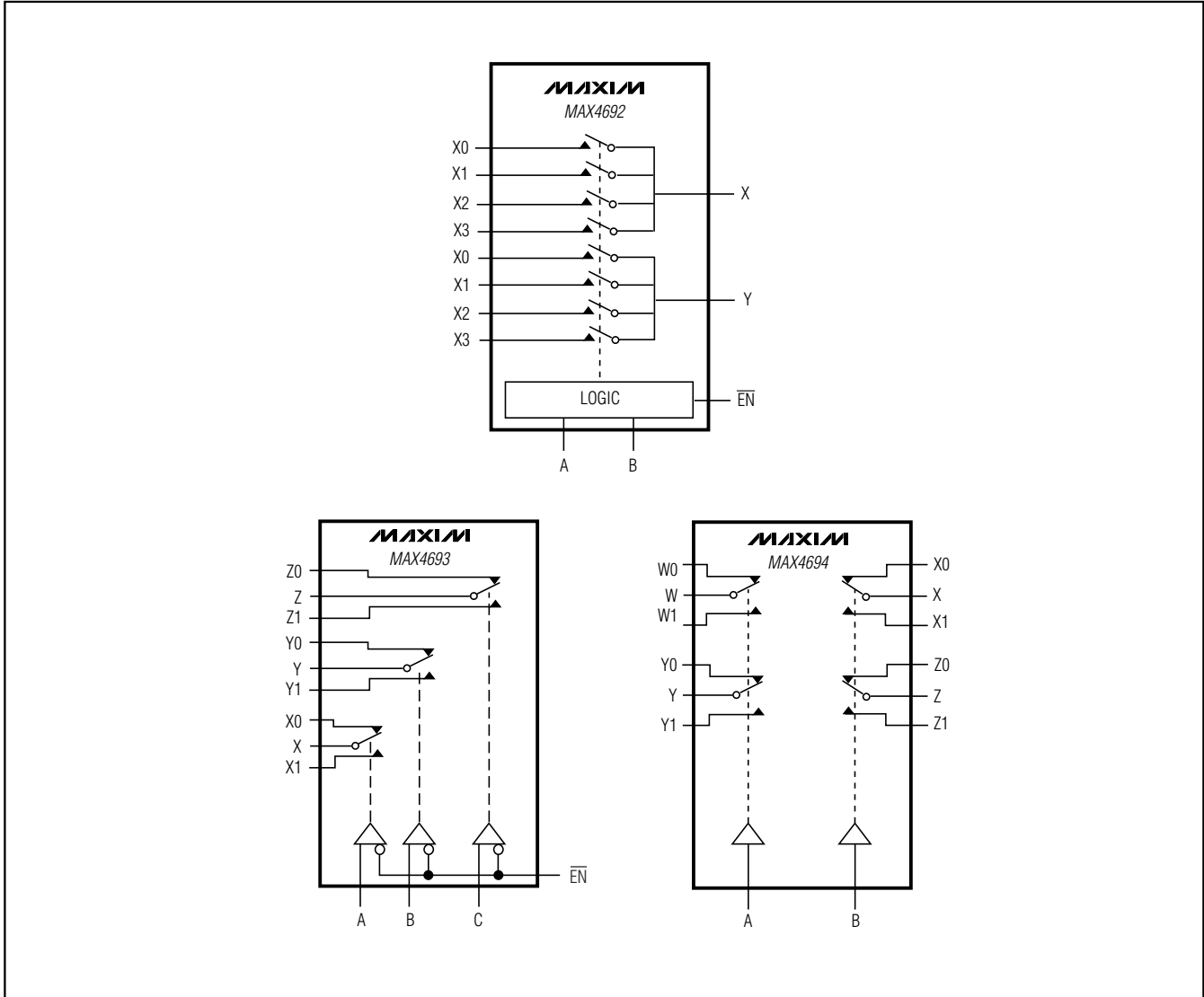


Figure 7. Capacitance

# Low-Voltage 8:1 Mux/Dual 4:1 Mux/Triple SPDT/Quad SPDT in UCSP Package

## Functional Diagrams (continued)

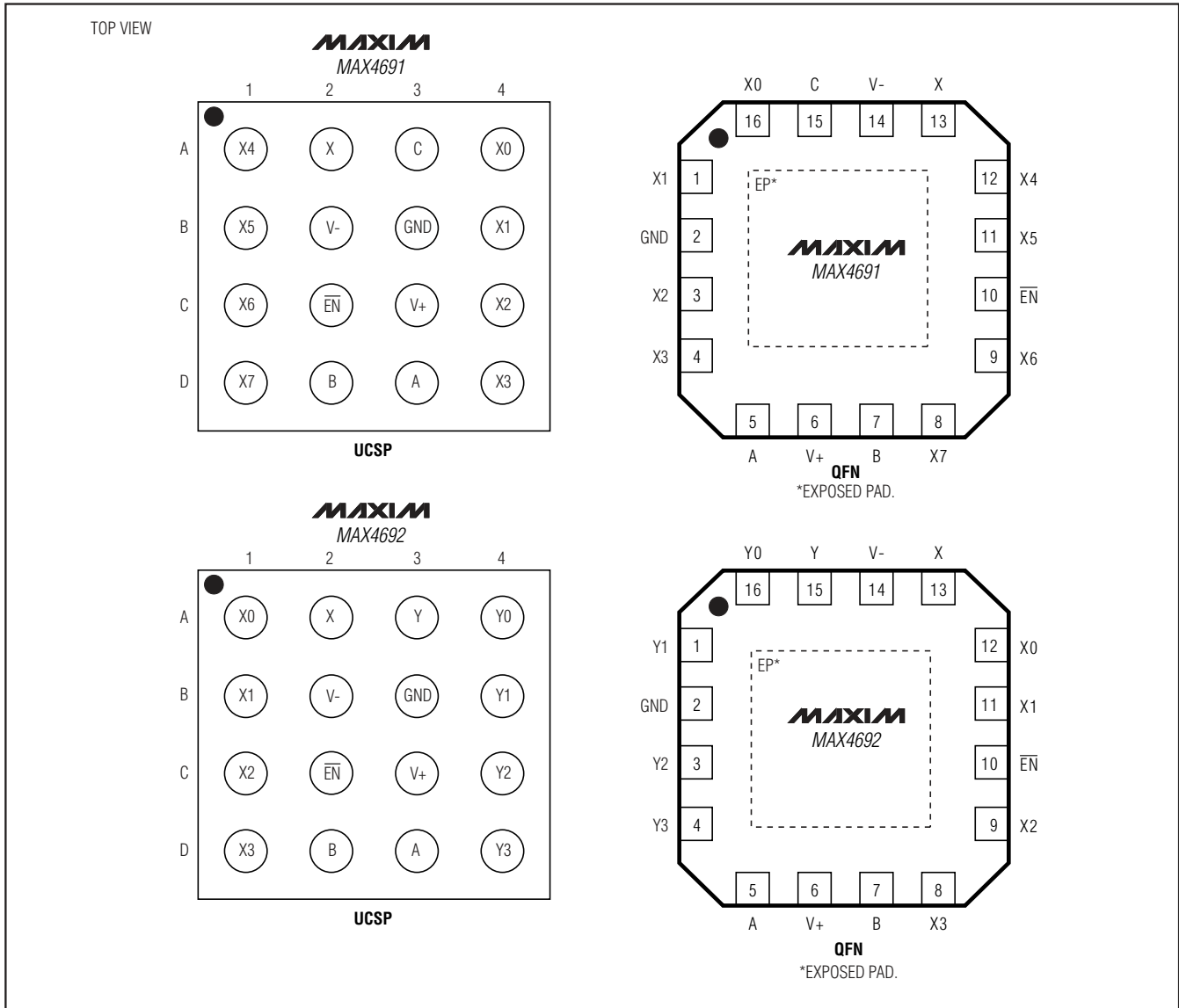


**Chip Information**  
TRANSISTOR COUNT: 292

# Low-Voltage 8:1 Mux/Dual 4:1 Mux/Triple SPDT/ Quad SPDT in UCSP Package

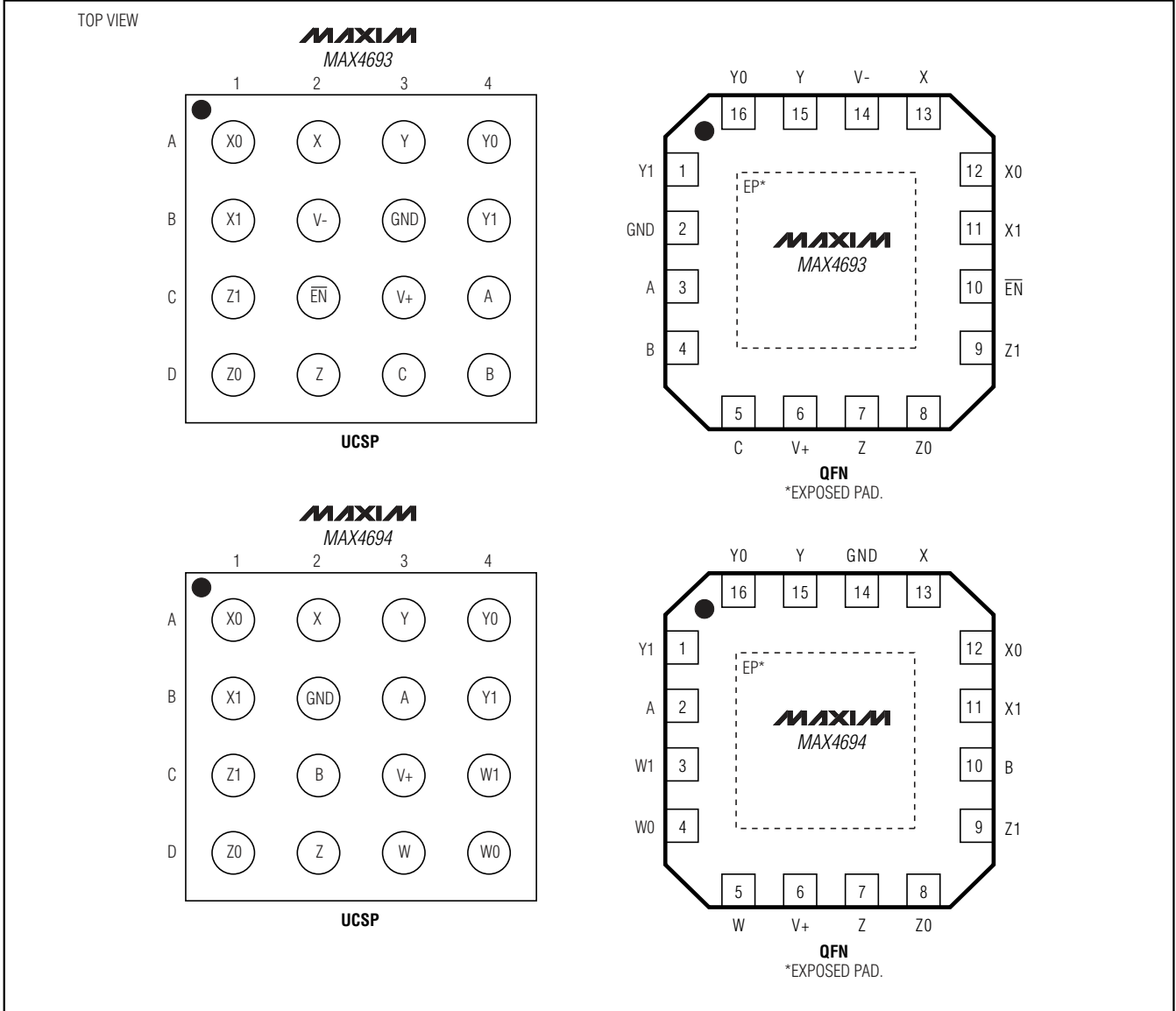
## Pin Configurations

**MAX4691-MAX4694**



# Low-Voltage 8:1 Mux/Dual 4:1 Mux/Triple SPDT/ Quad SPDT in UCSP Package

## Pin Configurations (continued)

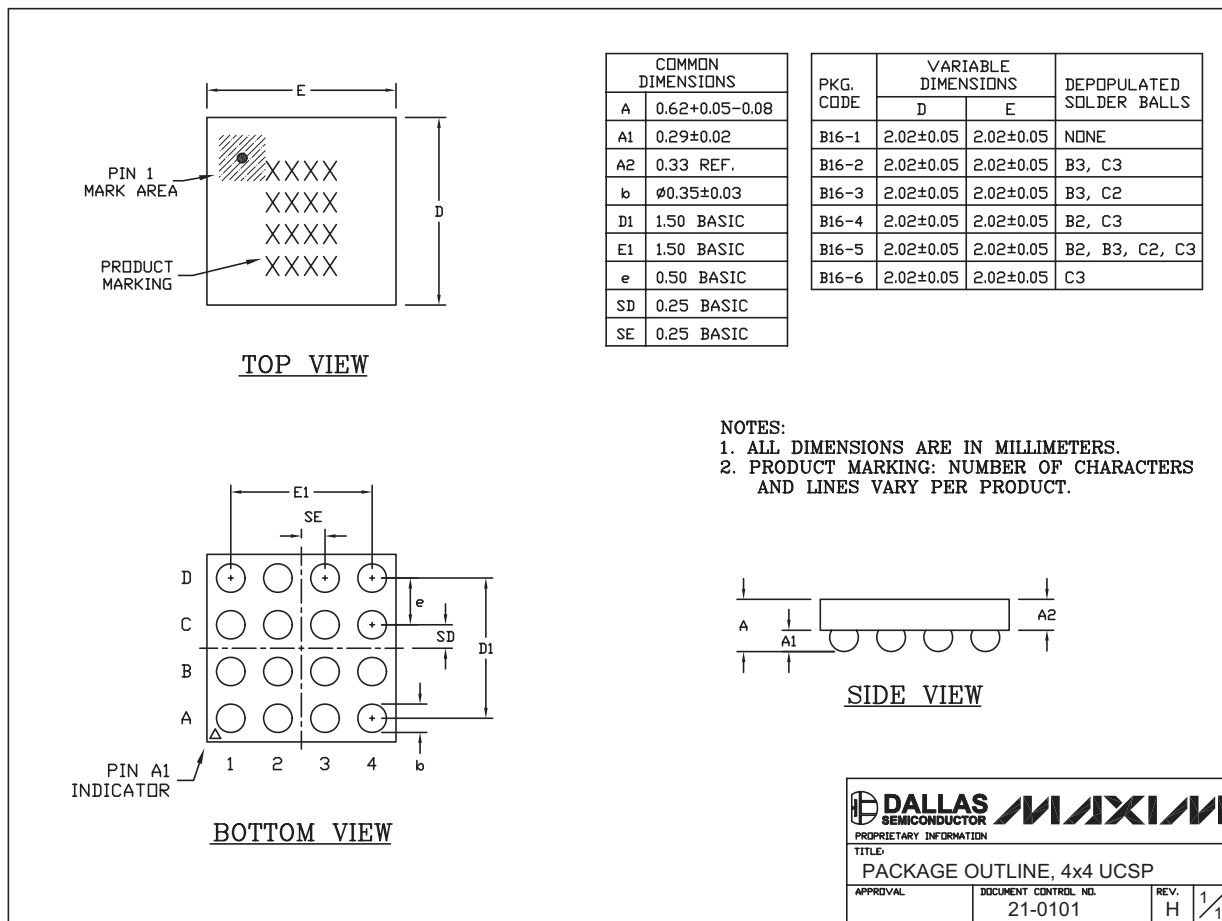


# Low-Voltage 8:1 Mux/Dual 4:1 Mux/Triple SPDT/ Quad SPDT in UCSP Package

## Package Information

(The package drawing(s) in this data sheet may not reflect the most current specifications. For the latest package outline information, go to [www.maxim-ic.com/packages](http://www.maxim-ic.com/packages).)

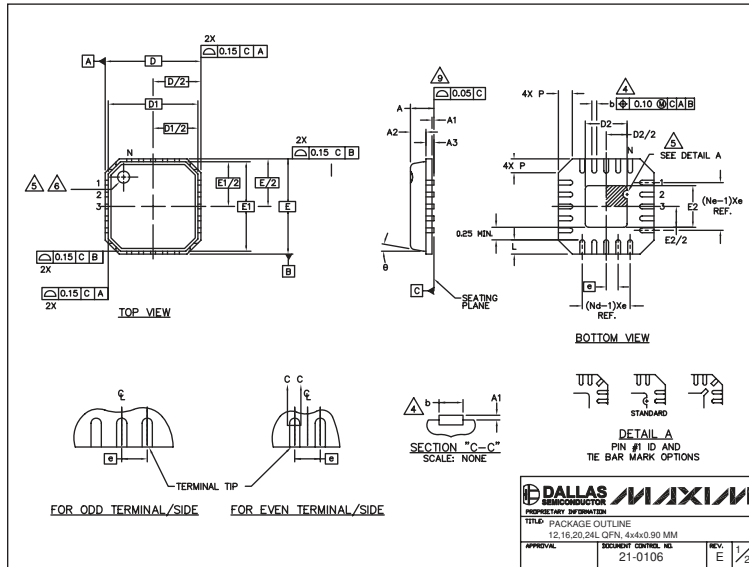
MAX4691-MAX4694



# Low-Voltage 8:1 Mux/Dual 4:1 Mux/Triple SPDT/Quad SPDT in UCSP Package

## Package Information (continued)

(The package drawing(s) in this data sheet may not reflect the most current specifications. For the latest package outline information, go to [www.maxim-ic.com/packages](http://www.maxim-ic.com/packages).)



**NOTES:**

1. DIE THICKNESS ALLOWABLE IS 0.305mm MAXIMUM (.012 INCHES MAXIMUM).
2. DIMENSIONING & TOLERANCES CONFORM MUST TO ASME Y14.5M. - 1994.
3. N IS THE NUMBER OF TERMINALS.  
 Nd IS THE NUMBER OF TERMINALS IN X-DIRECTION &  
 Ny IS THE NUMBER OF TERMINALS IN Y-DIRECTION.
4. DIMENSION b APPLIES TO PLATED TERMINAL AND IS MEASURED BETWEEN 0.20 AND 0.25mm FROM TERMINAL TIP.
5. THE PIN #1 IDENTIFIER MUST BE EXISTED ON THE TOP SURFACE OF THE PACKAGE BY USING INDENTATION MARK OR INK/LASER MARKED. DETAILS OF PIN #1 IDENTIFIER IS OPTIONAL, BUT MUST BE LOCATED WITHIN ZONE INDICATED.
6. EXACT SHAPE AND SIZE OF THIS FEATURE IS OPTIONAL.
7. ALL DIMENSIONS ARE IN MILLIMETERS.
8. PACKAGE WARPAGE MAX 0.05mm.
9. APPLIED FOR EXPOSED PAD AND TERMINALS. EXCLUDE EMBEDDING PART OF EXPOSED PAD FROM MEASURING.
10. MEETS JEDEC MO220; EXCEPT DIMENSION "b".
11. THIS PACKAGE OUTLINE APPLIES TO PUNCHED QFN (STEPPED SIDES).

DIM	COMMON DIMENSIONS		
	MIN.	NOM.	MAX.
A	0.50	0.90	1.00
A1	0.00	0.01	0.05
A2	0.00	0.65	0.80
A3	0.20 REF.		
D	4.00 BSC		
D1	3.75 BSC		
F	4.00 BSC		
F1	3.75 BSC		
P	0"	-	12"
P	0.24	0.42	0.60

DIM	PITCH VARIATION A			DIM	PITCH VARIATION B			DIM	PITCH VARIATION C			DIM	PITCH VARIATION D		
	MIN.	NOM.	MAX.		MIN.	NOM.	MAX.		MIN.	NOM.	MAX.		MIN.	NOM.	MAX.
IN	12	12	12	IN	16	16	16	IN	20	20	20	IN	24	24	24
NE	3	3	3	NE	4	4	4	NE	5	5	5	NE	6	6	6
NE	3	3	3	NE	4	4	4	NE	5	5	5	NE	6	6	6
L	0.50	0.50	0.75	L	0.50	0.50	0.75	L	0.50	0.50	0.75	L	0.50	0.40	0.50
D	0.28	0.33	0.40	D	0.23	0.28	0.35	D	0.18	0.23	0.30	D	0.18	0.23	0.30

PKG. CODE	EXPOSED PAD VARIATION					
	MIN.	NOM.	MAX.	MIN.	NOM.	MAX.
G1244-2	1.95	2.10	2.25	1.95	2.10	2.25
G1844-1	1.95	2.10	2.25	1.95	2.10	2.25
G2044-3	1.95	2.10	2.25	1.95	2.10	2.25
G2044-4	1.55	1.70	1.85	1.55	1.70	1.85
G2444-1	1.95	2.10	2.25	1.95	2.10	2.25

**DALLAS MAXIM**  
 SEMICONDUCTOR  
 PROPRIETARY INFORMATION  
 TITLE: PACKAGE OUTLINE  
 12.16.20,24L QFN, 4x4x0.90 MM  
 APPROVAL:      DOCUMENT NUMBER: 21-0106      REV: E 2/2

## Revision History

Pages changed at Rev 3: 1, 9, 10, 11, 19, 21, 22

Maxim cannot assume responsibility for use of any circuitry other than circuitry entirely embodied in a Maxim product. No circuit patent licenses are implied. Maxim reserves the right to change the circuitry and specifications without notice at any time.

22 **Maxim Integrated Products, 120 San Gabriel Drive, Sunnyvale, CA 94086 408-737-7600**