

- NOTES:
- MATERIALS: HOUSING - LIQUID CRYSTAL POLYMER (LCP) GLASS-FILLED, UL94V-0
TERMINALS - HIGH PERFORMANCE COPPER ALLOY
 - FINISH: 30µ INCH MIN GOLD IN CONTACT AREA, SELECTIVE MATTE TIN ON PCB TAILS, NICKEL OVERALL.
 - REFER TO MOLEX PCB ROUTING GUIDE AS-76060-990 FOR ANTIPAD AND ROUTING RECOMMENDATIONS.
 - CONNECTORS SUPPLIED WITH A 2-56 UNC-2A SCREW.
 - "THESE DIMENSIONS REPRESENT THE AREA NEEDED TO ACCOMMODATE CONNECTOR INSERTION AND REPAIR ON THE PC BOARD. THIS IS REFERRED TO AS THE "CONNECTOR KEEP OUT ZONE" AND DOES NOT REPRESENT THE ACTUAL PERIMETER OF THE CONNECTOR. WHEN LAYING OUT A PC BOARD FOR CONNECTORS STACK TOGETHER, USE A 1.9mm PROGRESSION."
 - SEE SHEETS 2 & 3 FOR PART NUMBERS AND BOARD RELATIONSHIPS.
 - FOR GROUNDED GUIDE PINS USE $\phi 3.56 \pm 0.08$ (PTH), $\phi 3.66$ (DRILL) & $\phi 6.5$ (PAD).
 - MINIMUM CIRCUIT BOARD THICKNESS: 1.0mm.
 - REFER TO MOLEX PRODUCT SPECIFICATION PS-170540-999 FOR PERFORMANCE SPECIFICATIONS AND ADDITIONAL PCB INFORMATION.
 - THIS PART CONFORMS TO CLASS B REQUIREMENTS OF MOLEX COSMETIC SPEC PS-45499-002.
 - PARTS PACKAGED PER PK-70873-759.

MIGRATED TO NX		EC NO: 168852		2017/10/25		DRWN: NVELUSAMY		2017/11/30		CHKD: CD		2017/12/01		REV / APPR: GGA	
GENERAL TOLERANCES (UNLESS SPECIFIED)				DIMENSION UNITS		SCALE						IMPACT 5-PAIR 85-OHM RIGHT GUIDED BACKPLANE SALES ASSEMBLY DRAWING			
ANGULAR TOL ± 2.0 °				MM		4:1									
4 PLACES ±		DRWN BY		DATE		JBINGHAM		2010/05/19		SERIES		MATERIAL NUMBER		CUSTOMER	
3 PLACES ±		CHKD BY		DATE		JLAURX		2010/05/19		170475		SEE TABLE		GENERAL MARKET	
2 PLACES ± 0.13		APPR BY		DATE		JLAURX		2013/05/21		DOCUMENT NUMBER		DOC TYPE		DOC PART SHEET NUMBER	
1 PLACE ± 0.25		DRAWING SIZE		THIRD ANGLE PROJECTION		C		SD-170475-0003		PSD		001		1 OF 3	
0 PLACES ±		DRAFT WHERE APPLICABLE MUST REMAIN WITHIN DIMENSIONS													

PART NUMBER LOGIC

170475-****

MODULE TYPE
 5 = GUIDE RIGHT, MATTE TIN
 9 = GUIDE RIGHT END WALL, MATTE TIN

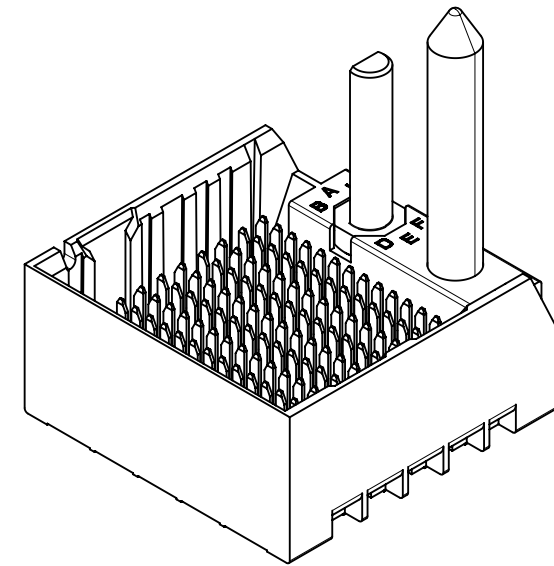
OF COLUMNS
 1 = 10 COL
 2 = 12 COL
 6 = 16 COL
 8 = 8 COL

P=PIN LENGTH
 3 = 4.50 (SHORT COMPLIANT, 0.46±0.05 PTH)
 4 = 4.90 (SHORT COMPLIANT, 0.46±0.05 PTH)
 5 = 5.50 (SHORT COMPLIANT, 0.46±0.05 PTH)
 6 = 4.50 (MICRO COMPLIANT, 0.39±0.05 PTH)
 7 = 4.90 (MICRO COMPLIANT, 0.39±0.05 PTH)
 8 = 5.50 (MICRO COMPLIANT, 0.39±0.05 PTH)

KEY ORIENTATION
 0 = NO KEY
 1 = A
 2 = B
 3 = C
 4 = D
 5 = E
 6 = F
 7 = G
 8 = H

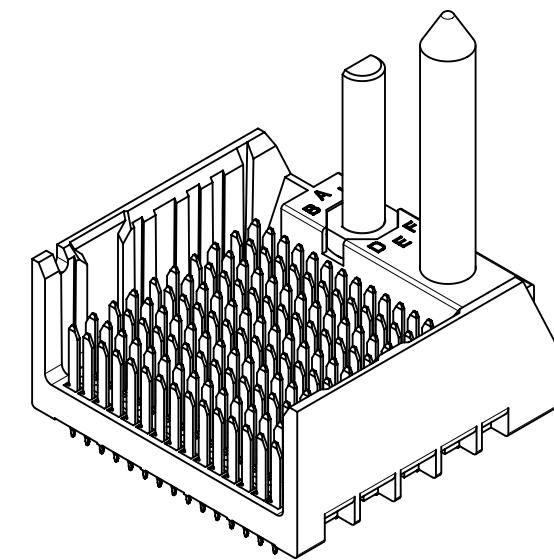
PART NUMBER CHART

MATERIAL NUMBER	# OF COLUMNS	# OF DIFF PAIR	DIM. A	DIM. B	GUIDE RIGHT END WALL OPTION
170475-98**	8	40	23.1	13.30	
170475-91**	10	50	26.9	17.10	
170475-92**	12	60	30.7	20.90	
170475-96**	16	80	38.3	28.50	



GUIDE RIGHT
END WALL
OPTION

MATERIAL NUMBER	# OF COLUMNS	# OF DIFF PAIR	DIM. A	DIM. B	GUIDE RIGHT OPEN WALL OPTION
170475-58**	8	40	21.7	13.30	
170475-51**	10	50	25.5	17.10	
170475-52**	12	60	29.3	20.90	
170475-56**	16	80	36.9	28.50	

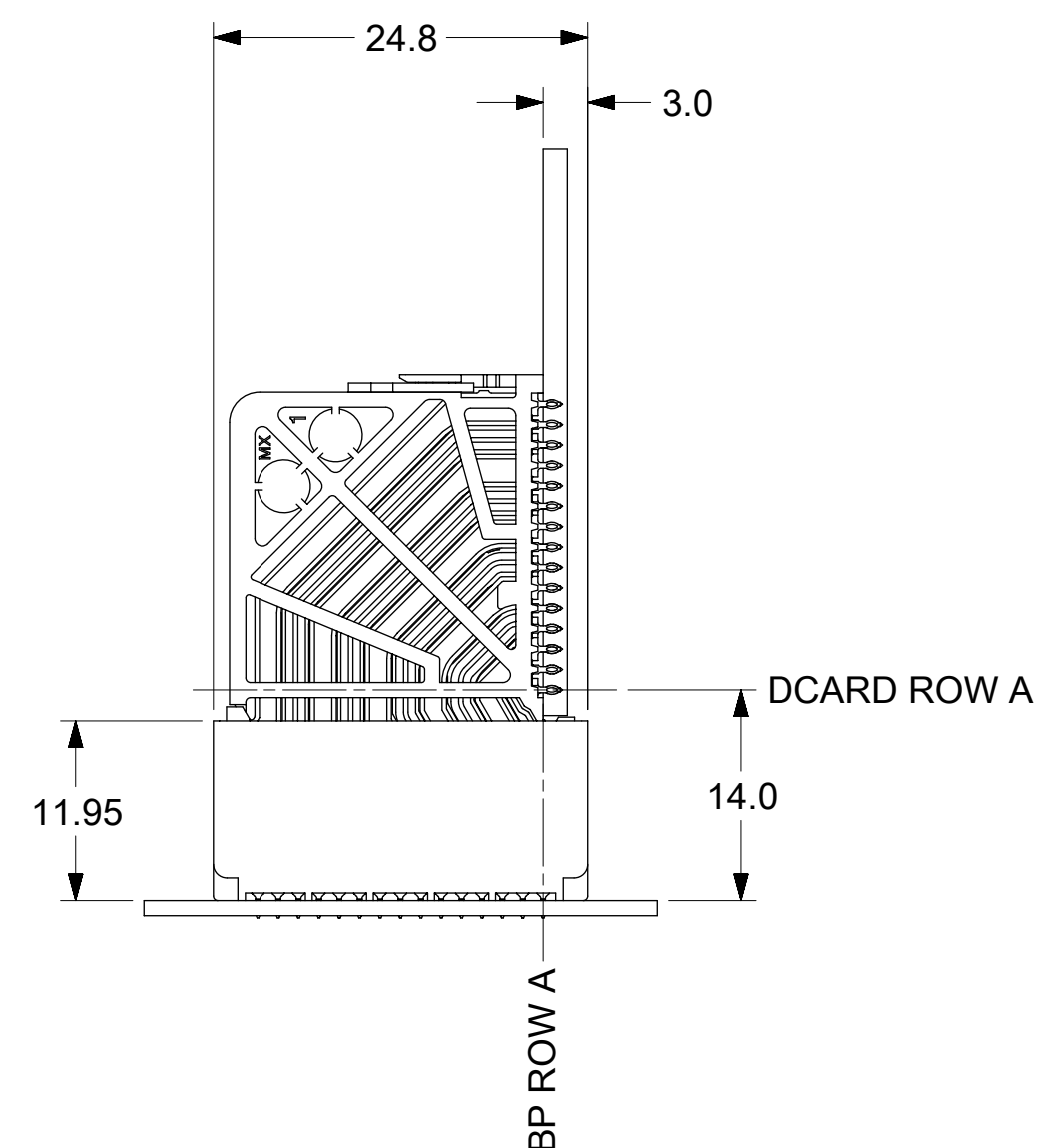
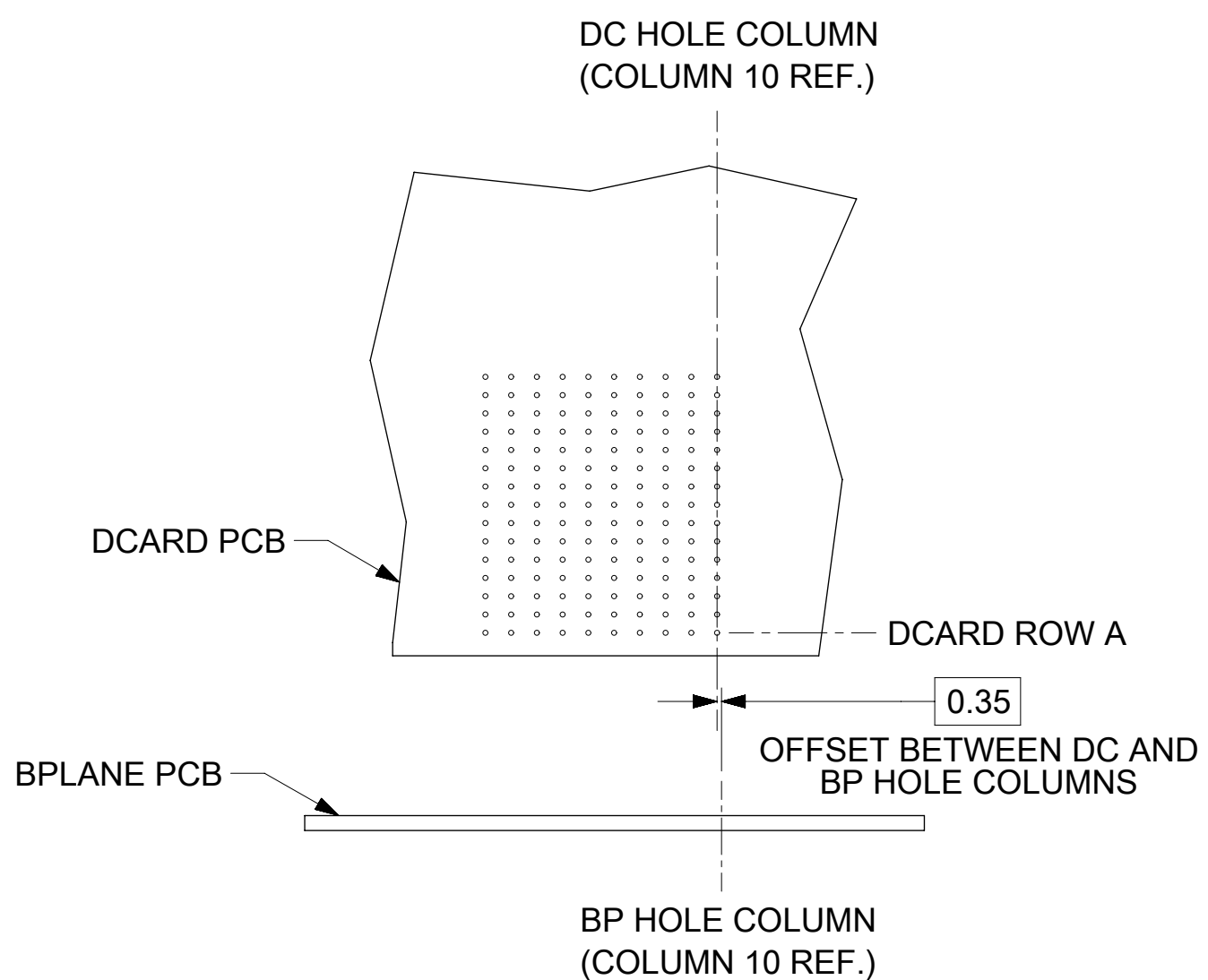
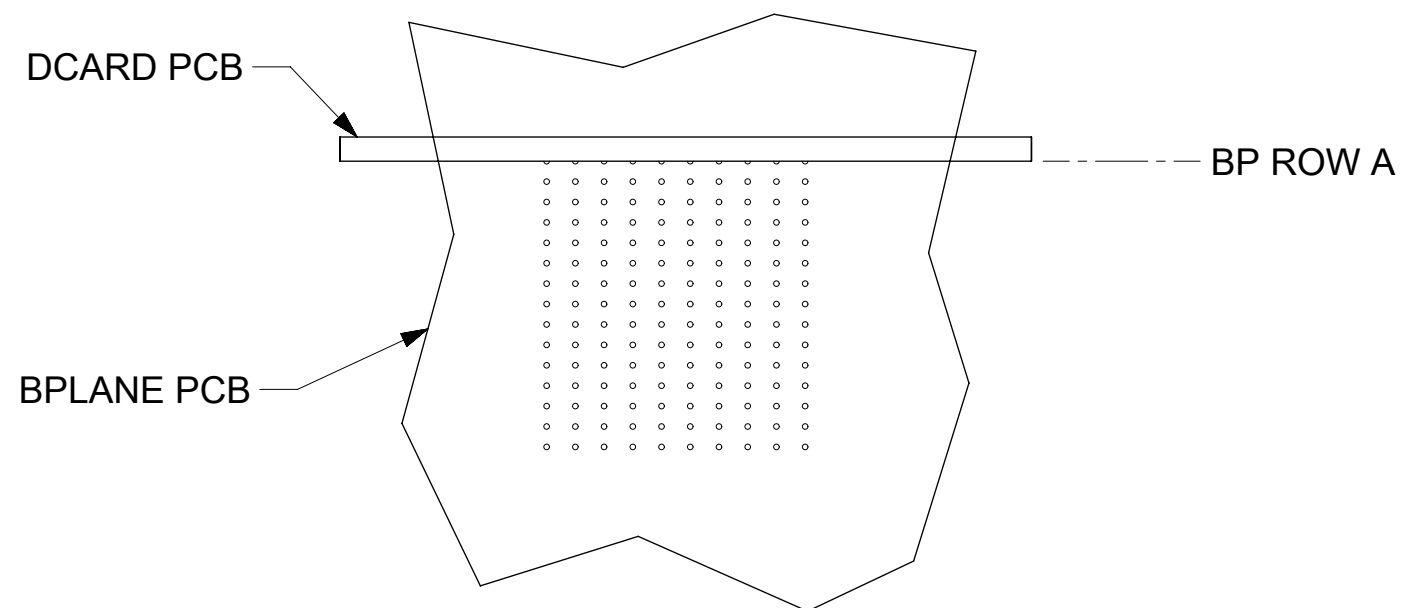


GUIDE RIGHT
OPEN WALL
OPTION

THIS DRAWING CONTAINS INFORMATION THAT IS PROPRIETARY TO MOLEX ELECTRONIC TECHNOLOGIES, LLC AND SHOULD NOT BE USED WITHOUT WRITTEN PERMISSION

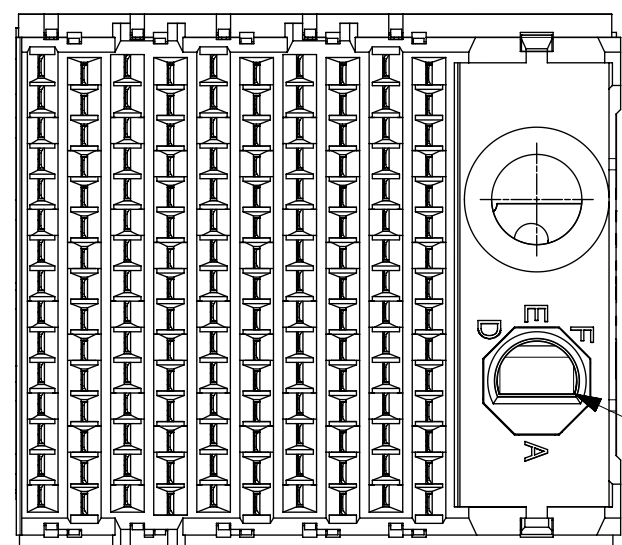
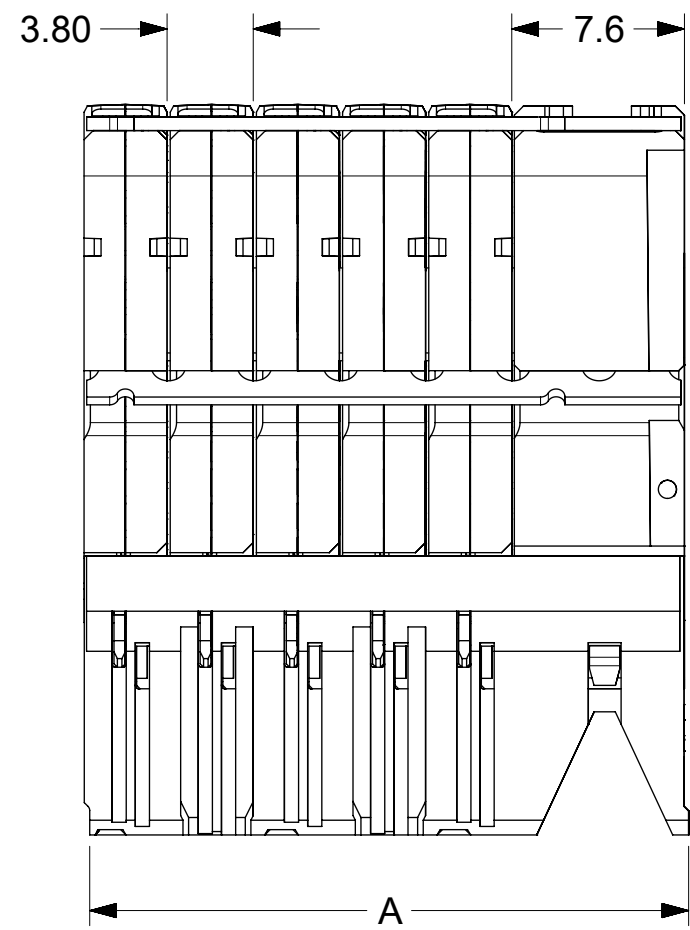
MIGRATED TO NX EC NO: 168852 DRWN: NVELUSANY CHKD: CD REV: APPR: GGA	2017/10/25	2017/11/30	2017/12/01	GENERAL TOLERANCES (UNLESS SPECIFIED)	DIMENSION UNITS	SCALE			
				ANGULAR TOL ± 2.0 °	MM	2:1			
				4 PLACES ±	DRWN BY	DATE		IMPACT 5-PAIR 85-OHM RIGHT GUIDED BACKPLANE SALES ASSEMBLY DRAWING	
				3 PLACES ±	JBINGHAM	2010/05/19			
				2 PLACES ± 0.13	CHKD BY	DATE			
			1 PLACE ± 0.25	JLAURX	2010/05/19				
			0 PLACES ±	APPR BY	DATE	PRODUCT CUSTOMER DRAWING			
			DRAFT WHERE APPLICABLE MUST REMAIN WITHIN DIMENSIONS	JLAURX	2013/05/21	SERIES	MATERIAL NUMBER	CUSTOMER	
				DRAWING SIZE	THIRD ANGLE PROJECTION	170475	SEE TABLE	GENERAL MARKET	
				C		DOCUMENT NUMBER	DOC TYPE	DOC PART	SHEET NUMBER
						SD-170475-0003	PSD	001	2 OF 3

IMPACT 5 PAIR BOARD RELATIONSHIPS

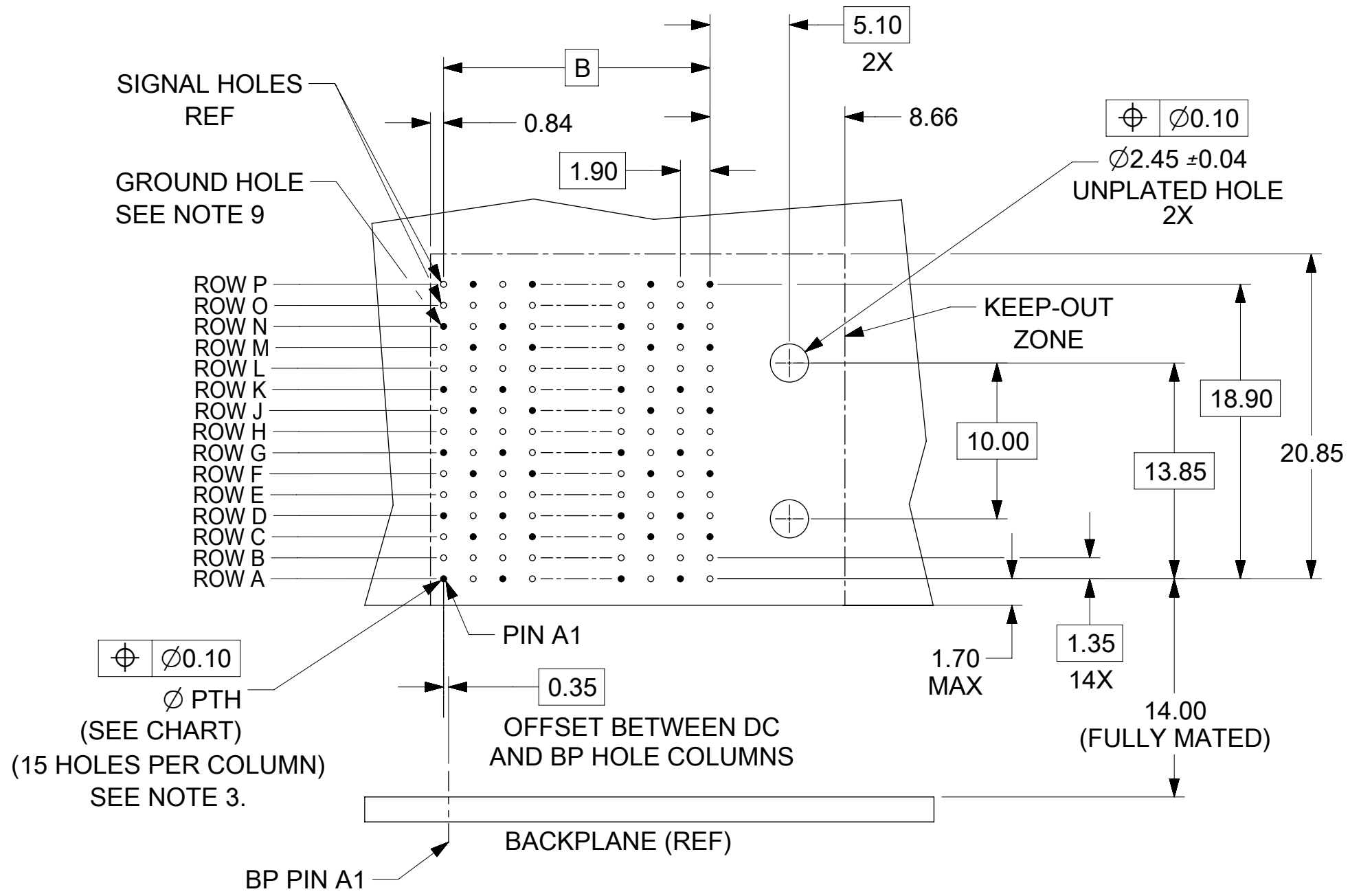
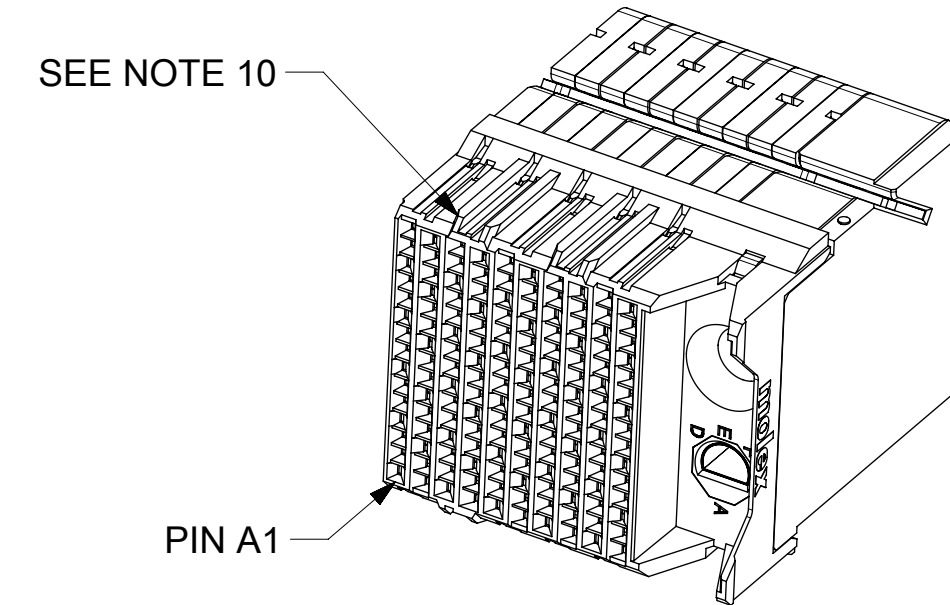
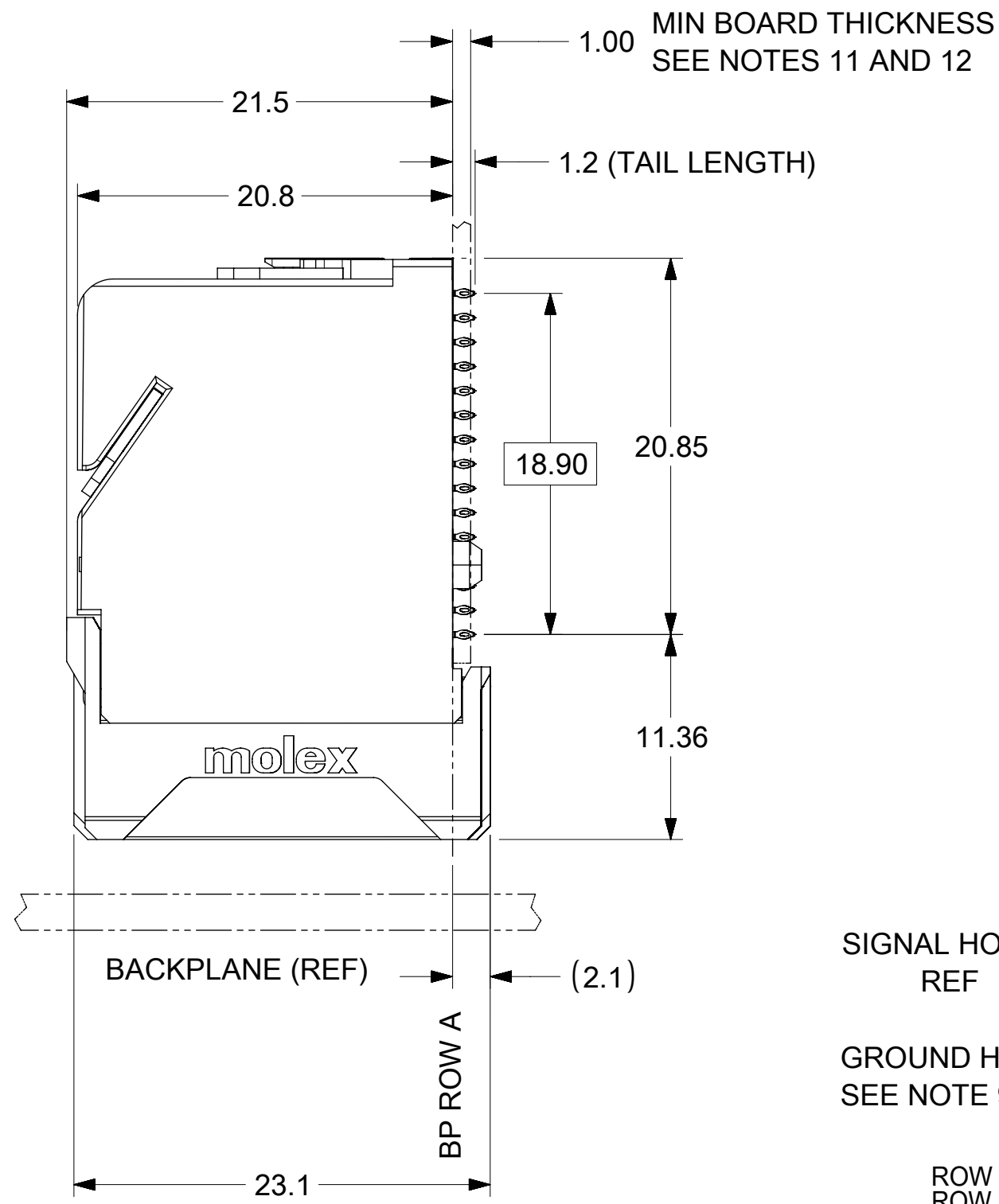


THIS DRAWING CONTAINS INFORMATION THAT IS PROPRIETARY TO MOLEX ELECTRONIC TECHNOLOGIES, LLC AND SHOULD NOT BE USED WITHOUT WRITTEN PERMISSION

MIGRATED TO NX	EC NO: 168852	2017/10/25	GENERAL TOLERANCES (UNLESS SPECIFIED)		DIMENSION UNITS	SCALE	molex IMPACT 5-PAIR 85-OHM RIGHT GUIDED BACKPLANE SALES ASSEMBLY DRAWING	
	DRWN: NVELUSAMY	2017/11/30	ANGULAR TOL ± 2.0 °		MM	3:1		
	CHKD: CD	2017/12/01	4 PLACES ±	DRWN BY	DATE	JBINGHAM		2010/05/19
	REV / APPR: GGA		3 PLACES ±	CHKD BY	DATE	JLAURX		2010/05/19
			2 PLACES ± 0.13	APPR BY	DATE	JLAURX	2013/05/21	
			1 PLACE ± 0.25	DRAWING SIZE	THIRD ANGLE PROJECTION	C	PRODUCT CUSTOMER DRAWING	
			0 PLACES ±	DRAFT WHERE APPLICABLE MUST REMAIN WITHIN DIMENSIONS			SERIES MATERIAL NUMBER CUSTOMER	
							170475 SEE TABLE GENERAL MARKET	
							DOCUMENT NUMBER DOC TYPE DOC PART SHEET NUMBER	
							SD-170475-0003 PSD 001 3 OF 3	



KEY SHOWN
IN POSITION "A"



**DAUGHTERCARD HOLE PATTERN
(CONNECTOR SIDE)**

NOTES:

1. MATERIALS: HOUSING - LIQUID CRYSTAL POLYMER (LCP), GLASS-FILLED, UL94V-0
TERMINALS - HIGH PERFORMANCE COPPER ALLOY
2. FINISH: 30µIN MIN SELECTIVE GOLD IN CONTACT AREA, SELECTIVE TIN
ON PCB TAILS. NICKEL OVERALL.
3. REFER TO MOLEX PRODUCT SPEC PS-170540-999 FOR PERFORMANCE SPECIFICATIONS
AND ADDITIONAL PCB INFORMATION.
4. EACH SIGNAL WAFER CONTAINS 2 COLUMNS OF TERMINALS.
5. PRODUCT IS PACKAGED PER PK-70873-611.
6. THIS PART CONFORMS TO CLASS B REQUIREMENTS OF COSMETIC SPEC PS-45499-002.
7. REFER TO MOLEX SALES DRAWING SD-170475-0003 OR RSD-170472-XXXX FOR THE
MATING HEADERS.
8. REFER TO MOLEX PCB MOUNTING GUIDE AS 76060-990 FOR ANTIPAD AND ROUTING
RECOMMENDATIONS.
9. GROUND PATHS ARE NOT DISCRETE CIRCUITS WITHIN CONNECOTR DUE TO PRESENCE
OF PLUS CLIP.
10. PART NUMBER 170480-5120 SHOWN ON DRAWING. KEYING FEATURES WILL CHANGE
WITH COLUMN SIZE
11. MINIMUM BOARD THICKNESS IS 1.0 mm FOR COMPLIANT PIN FUNCTIONALITY.
12. WHEN USING MOLEX SUPPLIED # 2-32 SCREW 73726-0000 (9.50 NOMINAL
THREADABLE SCREW LENGTH), THE MAXIMUM BOARD THICKNESS IS 4.4mm.

THIS DRAWING CONTAINS INFORMATION THAT IS PROPRIETARY TO MOLEX ELECTRONIC TECHNOLOGIES, LLC AND SHOULD NOT BE USED WITHOUT WRITTEN PERMISSION									
DIMENSION UNITS		SCALE		CURRENT REV DESC: MIGRATED TO NX					
mm		NTS		<p>IMPACT 5 PAIR PLUS 85OHM DAUGHTERCARD SIGNAL GUIDE RIGHT SALES DWG</p> <p>PRODUCT CUSTOMER DRAWING</p> <p>DOCUMENT NUMBER: SD-170480-0004 DOC TYPE: PSD DOC PART: 001 REVISION: B3</p> <p>MATERIAL NUMBER: SEE TABLE CUSTOMER: GENERAL MARKET SHEET NUMBER: 1 OF 2</p>					
GENERAL TOLERANCES (UNLESS SPECIFIED)									
ANGULAR TOL ± 0.5°									
4 PLACES ±									
3 PLACES ±									
2 PLACES ± 0.13									
1 PLACE ± 0.25									
0 PLACES ±									
DRAFT WHERE APPLICABLE MUST REMAIN WITHIN DIMENSIONS		THIRD ANGLE PROJECTION		DRAWING		SERIES		MATERIAL NUMBER	
				C-SIZE		170480		SEE TABLE	

MATERIAL NUMBER	# OF COLUMNS	# OF DIFF PAIR	DIM "A" MAX	DIM "B"	PTH ϕ
170480-5*08	8	40	22.80	13.30	0.46 ± 0.05
170480-5*10	10	50	26.60	17.10	
170480-5*12	12	60	30.40	20.90	
170480-5*16	16	80	38.00	28.50	
170480-5*38	8	40	22.80	13.30	0.39 ± 0.05
170480-5*20	10	50	26.60	17.10	
170480-5*22	12	60	30.40	20.90	
170480-5*26	16	80	38.00	28.50	

170480-5***

MODULE & TAIL PLATING TYPE
5 = RIGHT GUIDED, LEAD-FREE

OF COLUMNS
08 = 8 COL 0.46 PTH
10 = 10 COL 0.46 PTH
12 = 12 COL 0.46 PTH
16 = 16 COL 0.46 PTH

POLARIZATION KEY ORIENTATION

0 = NO KEY
1 = A 5 = E
2 = B 6 = F
3 = C 7 = G
4 = D 8 = H

38 = 8 COL 0.39 PTH
20 = 10 COL 0.39 PTH
22 = 12 COL 0.39 PTH
26 = 16 COL 0.39 PTH

THIS DRAWING CONTAINS INFORMATION THAT IS PROPRIETARY TO MOLEX ELECTRONIC TECHNOLOGIES, LLC AND SHOULD NOT BE USED WITHOUT WRITTEN PERMISSION

DIMENSION UNITS	SCALE	CURRENT REV DESC: MIGRATED TO NX		molex		
mm	NTS					
GENERAL TOLERANCES (UNLESS SPECIFIED)		EC NO: 612222		IMPACT 5 PAIR PLUS 85OHM DAUGHTERCARD SIGNAL GUIDE RIGHT SALES DWG		
ANGULAR TOL	$\pm 0.5^\circ$	DRWN: BREVANSIDDAB	2018/11/16			
4 PLACES	\pm	CHK'D: TMARRI	2019/02/19			
3 PLACES	\pm	APPR: BOKOK	2019/02/20	PRODUCT CUSTOMER DRAWING		
2 PLACES	± 0.13	INITIAL REVISION:		DOCUMENT NUMBER	DOC TYPE	DOC PART
1 PLACE	± 0.25	DRWN: JLAURX	2010/09/28	SD-170480-0004	PSD	001
0 PLACES	\pm	APPR: JLAURX	2010/10/19			B3
DRAFT WHERE APPLICABLE MUST REMAIN WITHIN DIMENSIONS	THIRD ANGLE PROJECTION	DRAWING	SERIES	MATERIAL NUMBER	CUSTOMER	SHEET NUMBER
		C-SIZE	170480	SEE TABLE	GENERAL MARKET	2 OF 2

DOCUMENT STATUS	P1	RELEASE DATE	2019/02/20	10:38:12
-----------------	----	--------------	------------	----------