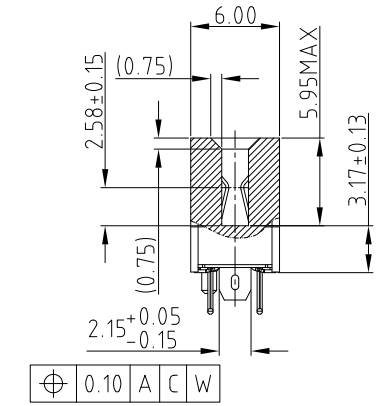
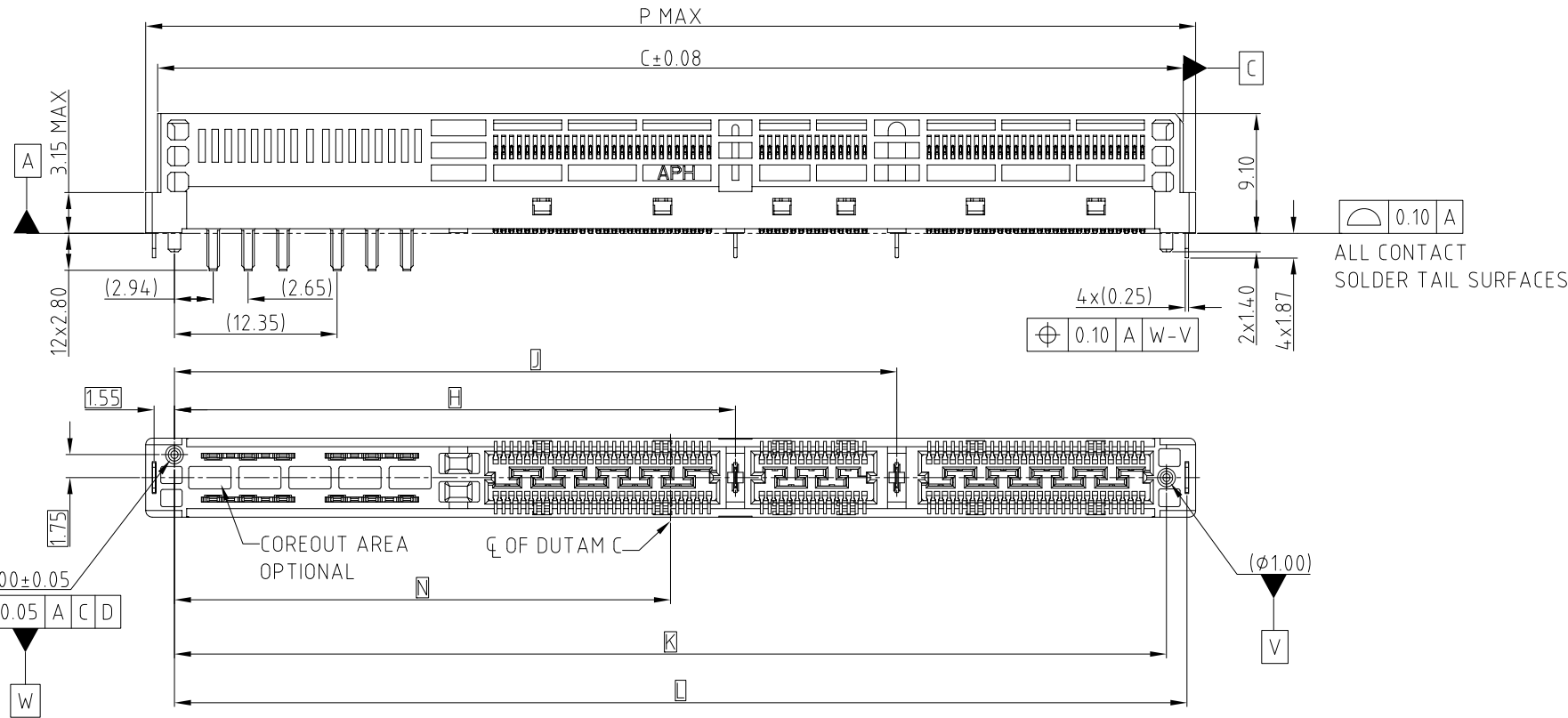
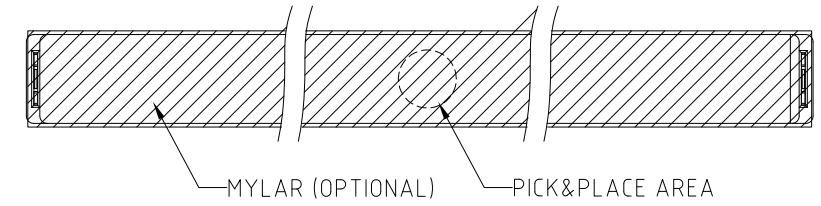
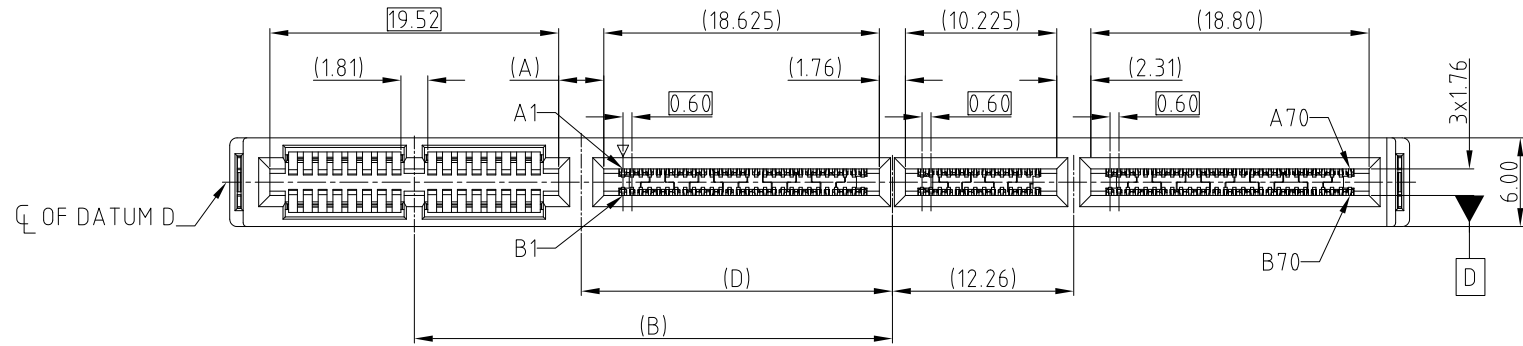


This document is the property of Amphenol Corporation and is delivered on the express condition that it is not to be disclosed, reproduced or used, in whole or in part, for manufacture or sale by anyone other than Amphenol Corporation without its prior consent, & that no right is granted to disclose or to use any information in this document.

# CUSTOMER DRAWING

| REVISIONS |        |                             |             |          |
|-----------|--------|-----------------------------|-------------|----------|
| SYM       | ECN    | DESCRIPTION                 | DATE        | APPROVED |
| 1         | CDXXXX | PRELIMINARY PROPOSAL        | Feb.18,2019 | YH       |
| 2         | CDXXXX | ADD PACKING                 | Nov.29,2019 | YH       |
| 3         | CD1997 | ADD NEW P/N OPTION          | Jan.17,2020 | YH       |
| 4         | CD2186 | UPDATED THE BOARD LOCK SPEC | Jul.03,2020 | YH       |



P/N SYSTEM:  
ME101404018X0XX

- 0: SOFT TRAY WITH MYLAR
  - 1: HARD TRAY WITH MYLAR
  - 2: SOFT TRAY WITHOUT MYLAR
  - 3: HARD TRAY WITHOUT MYLAR
- PLATING
- 1 0.76um GOLD PLATED
  - 2 0.38um GOLD PLATED
  - 3 GOLD FLASH
- VOLTAGE RATING
- 1: 12V TOOLED
  - 2: 48V NOT TOOLED

- NOTE:
- MATERIAL:  
HOUSING: HIGH TEMPERATURE THERMOPLASTIC, BLACK, UL94-V0  
CONTACT: COPPER ALLOY  
BOARDLOCK: COPPER ALLOY
  - FINISHED:  
CONTACT: MATING AREA: Au THICKNESS PLEASE REFER TO P/N SYSTEM  
OVER 1.27-2.54 um NICKEL UNDERPLATED  
SOLDER AREA: 1.27 um MIN TIN OVER 1.27-2.54 um NICKEL UNDERPLATED  
BOARDLOCK: 1.27 um MIN TIN OVER 1.27-2.54 um NICKEL UNDERPLATED
  - ELECTRICAL PERFORMANCE:  
RATED CURRENT: 1.1A/PIN UP TO 12PINS FOR SIGNAL PIN  
UP TO 55A THROUGH THE HIGH POWER PORT.  
LLCR: DELTA 15mΩ MAX  
INSULATION RESISTANCE: 1000MΩ MIN
  - DURABILITY: 200 CYCLES.
  - MATERIAL IS FULFILLED RoHS & HALOGEN FREE.
  - ORDERING PN REFER TO PN SYSTEM

| DIME. | 12V   | 48V   |
|-------|-------|-------|
| A     | 3.05  | 4.05  |
| B     | 32.31 | 33.31 |
| C     | 77.89 | 78.89 |
| D     | 21.03 | 21.53 |
| E     | 24.39 | 25.39 |
| F     | 44.60 | 45.60 |
| G     | 57.31 | 58.31 |
| H     | 42.60 | 43.60 |
| J     | 54.86 | 55.86 |
| K     | 75.34 | 76.34 |
| L     | 76.89 | 77.89 |
| M     | 3.57  | 4.57  |
| N     | 37.67 | 38.17 |
| P     | 79.74 | 80.74 |
| Q     | 21.07 | 21.57 |
| R     | 73.76 | 74.76 |
| S     | 4.89  | 5.39  |



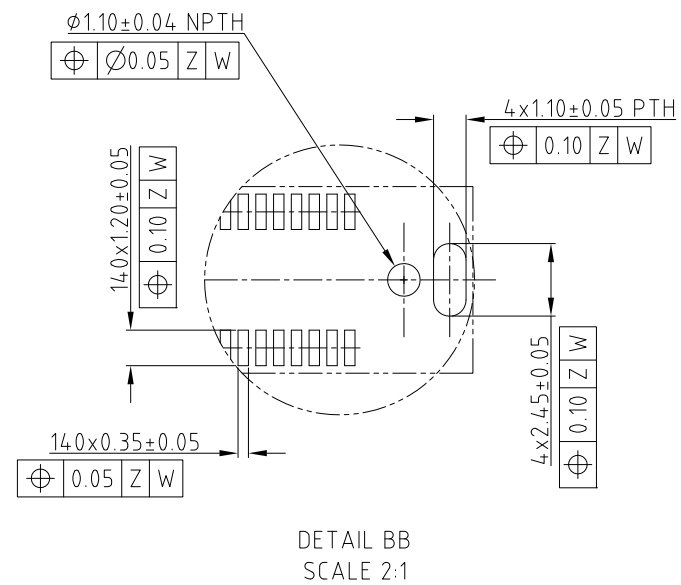
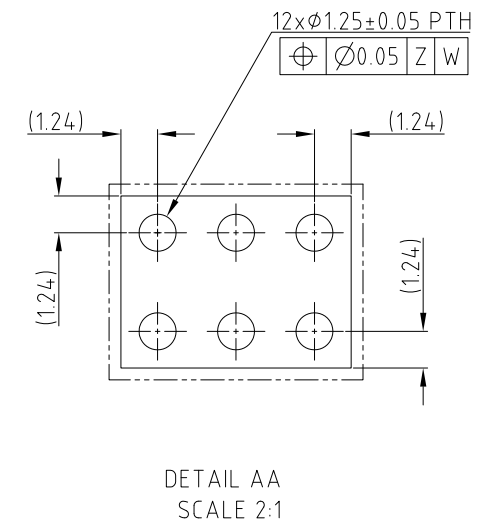
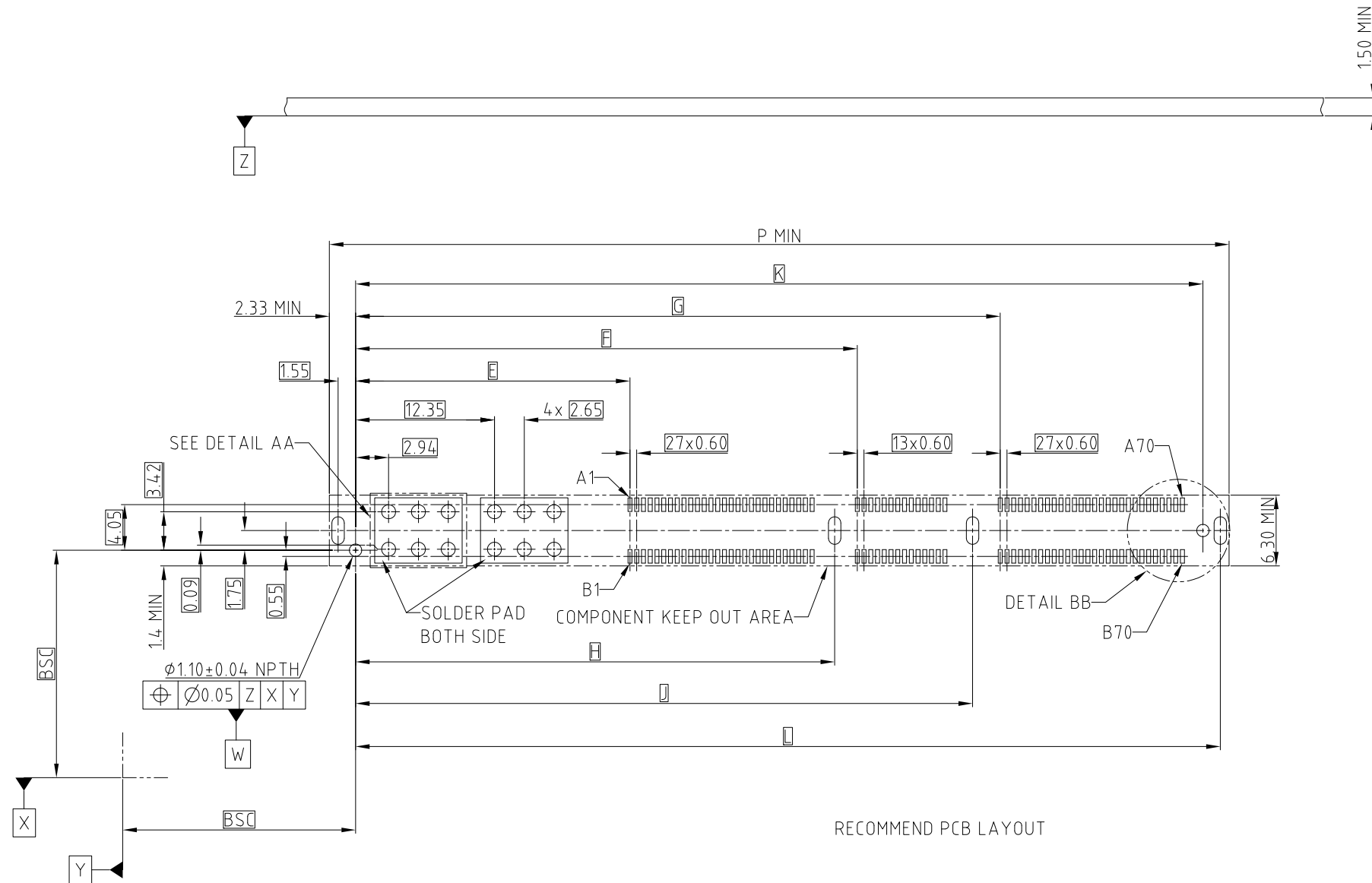
|                                       |                                       |        |
|---------------------------------------|---------------------------------------|--------|
| UNLESS OTHERWISE SPECIFIED TOLERANCES | U.S.                                  | METRIC |
|                                       | .X +/-                                | 0.50   |
|                                       | .XX +/-                               | 0.25   |
|                                       | .XXX +/-                              | 0.15   |
|                                       | FRACTIONS +/-                         |        |
|                                       | ANGLES +/-                            | 5°     |
| FOR MATERIALS AND FINISHES SEE NOTES  |                                       |        |
| REMOVE SHARP EDGES                    |                                       |        |
| DIMENSIONS                            |                                       |        |
| U.S.                                  | INCHES                                |        |
| (METRIC)                              | (MM)                                  |        |
| APPROVAL                              | DATE                                  |        |
| DRAWN Yunx.liu                        | Jul.03,2020                           |        |
| CHECKED Ly.yi                         | Jul.03,2020                           |        |
| APPROVED                              |                                       |        |
| DRAWING FILE :                        | INTERNAL\DRAWING\ME\C ME101404018X0XX |        |
| ANGLE OF PROJECTION                   |                                       |        |

|   |                   |              |
|---|-------------------|--------------|
| <b>Amphenol</b>   |                   |              |
| TITLE<br><b>MINI COOL EDGE 140PIN V/T</b><br>0.6mm PITCH WITH POWER CONNECTOR |                   |              |
| SIZE  | DRAWING NO.       | REV.         |
| A3  | C ME101404018X0XX | 4            |
| SCALE   | NONE              | SHEET 1 OF 5 |

This document is the property of Amphenol Corporation and is delivered on the express condition that it is not to be disclosed, reproduced or used, in whole or in part, for manufacture or sale by anyone other than Amphenol Corporation without its prior consent, & that no right is granted to disclose or to use any information in this document.

# CUSTOMER DRAWING

| REVISIONS |     |             |      |          |
|-----------|-----|-------------|------|----------|
| SYM       | ECN | DESCRIPTION | DATE | APPROVED |
|           |     | SEE SHEET 1 |      |          |



RECOMMEND PCB LAYOUT



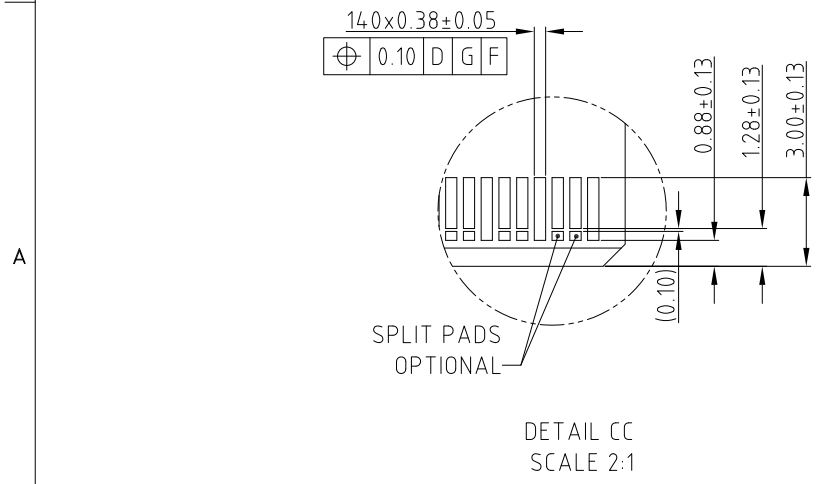
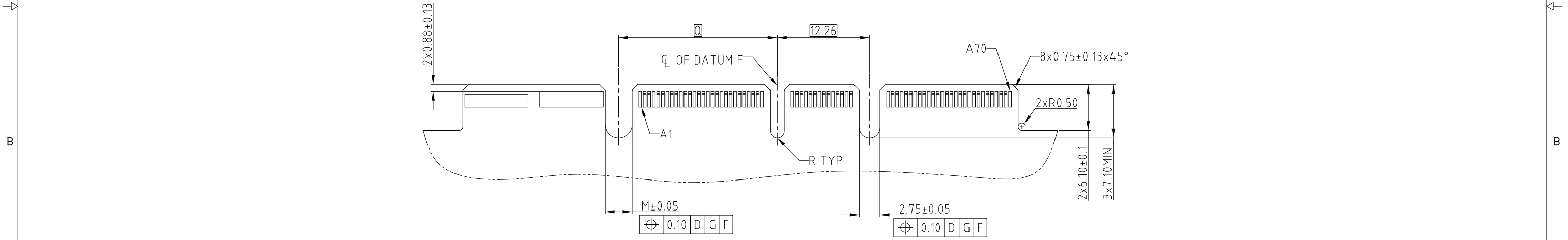
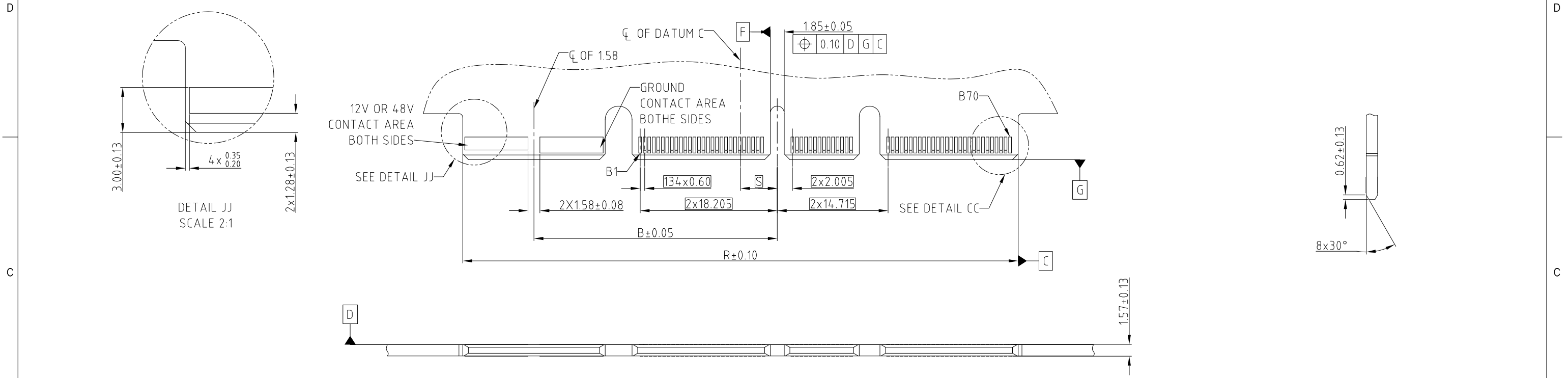
|                                       |        |  |                      |
|---------------------------------------|--------|--|----------------------|
| UNLESS OTHERWISE SPECIFIED TOLERANCES |        | APPROVAL   | DATE                 |
| .X                                    | +/-    | DRAWN  | Yunx.liu Jul.03,2020 |
| .XX                                   | +/-    | CHECKED  | Ly.yi Jul.03,2020    |
| .XXX                                  | +/-    | APPROVED   |                      |
| FRACTIONS                             | +/-    | DRAWING FILE : INTERNAL\DRAWING\ME\C ME101404018X0XX |                      |
| ANGLES                                | +/-    | REMOVE SHARP EDGES                                   |                      |
| FOR MATERIALS AND FINISHES SEE NOTES  |        | ANGLE OF PROJECTION                                  |                      |
| DIMENSIONS                            |        |  |                      |
| U.S.                                  | INCHES |  |                      |
| (METRIC)                              | (MM)   |  |                      |

|                                  |                   |              |
|----------------------------------|-------------------|--------------|
| Amphenol                         |                   |              |
| TITLE                            |                   |              |
| MINI COOL EDGE 140PIN V/T        |                   |              |
| 0.6mm PITCH WITH POWER CONNECTOR |                   |              |
| SIZE                             | DRAWING NO.       | REV.         |
| A3                               | C ME101404018X0XX | 4            |
| SCALE                            | NONE              | SHEET 2 OF 5 |

This document is the property of Amphenol Corporation and is delivered on the express condition that it is not to be disclosed, reproduced or used, in whole or in part, for manufacture or sale by anyone other than Amphenol Corporation without its prior consent, & that no right is granted to disclose or to use any information in this document.

CUSTOMER DRAWING

| REVISIONS |     |             |      |          |
|-----------|-----|-------------|------|----------|
| SYM       | ECN | DESCRIPTION | DATE | APPROVED |
|           |     | SEE SHEET 1 |      |          |



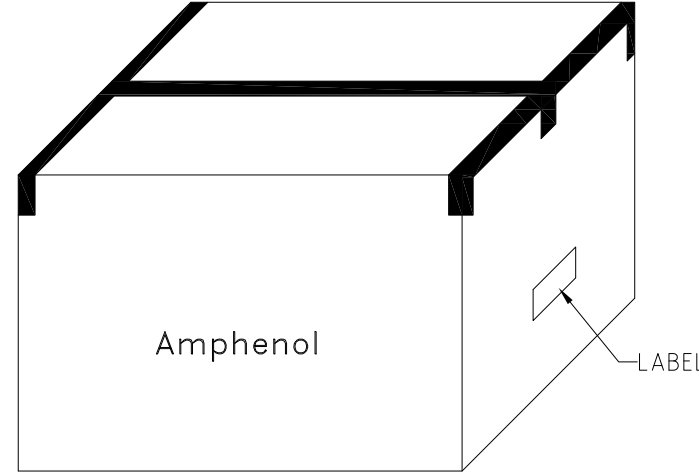
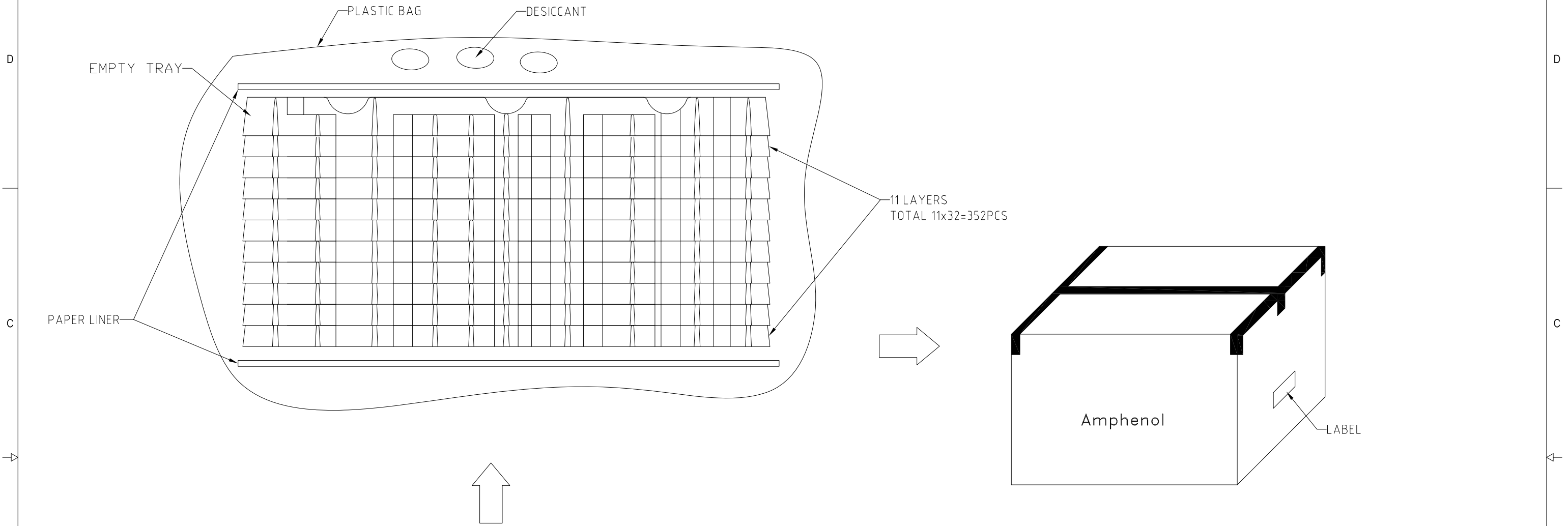
|  |                                       |             |
|--|---------------------------------------|-------------|
| UNLESS OTHERWISE SPECIFIED TOLERANCES<br>U.S. METRIC<br>.X +/-<br>.XX +/-<br>.XXX +/-<br>FRACTIONS +/-<br>ANGLES +/-<br>FOR MATERIALS AND FINISHES SEE NOTES<br>REMOVE SHARP EDGES<br>DIMENSIONS<br>U.S. INCHES<br>(METRIC) (MM) | APPROVAL                              | DATE        |
|  | DRAWN Yunx.liu                        | Jul.03,2020 |
|  | CHECKED Ly.yi                         | Jul.03,2020 |
|  | APPROVED                              |             |
|  | DRAWING FILE :                        |             |
|  | INTERNAL\DRAWING\ME\C ME101404018X0XX |             |
|  | ANGLE OF PROJECTION                   |             |
|  |                                       |             |

|  |                                  |           |
|--|----------------------------------|-----------|
| Amphenol   |                                  |           |
| TITLE<br>MINI COOL EDGE 140PIN V/T<br>0.6mm PITCH WITH POWER CONNECTOR |                                  |           |
| SIZE<br>A3   | DRAWING NO.<br>C ME101404018X0XX | REV.<br>4 |
| SCALE<br>NONE  | SHEET 3 OF 5                     |           |

This document is the property of Amphenol Corporation and is delivered on the express condition that it is not to be disclosed, reproduced or used, in whole or in part, for manufacture or sale by anyone other than Amphenol Corporation without its prior consent, & that no right is granted to disclose or to use any information in this document.

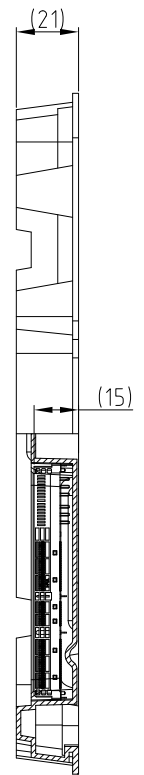
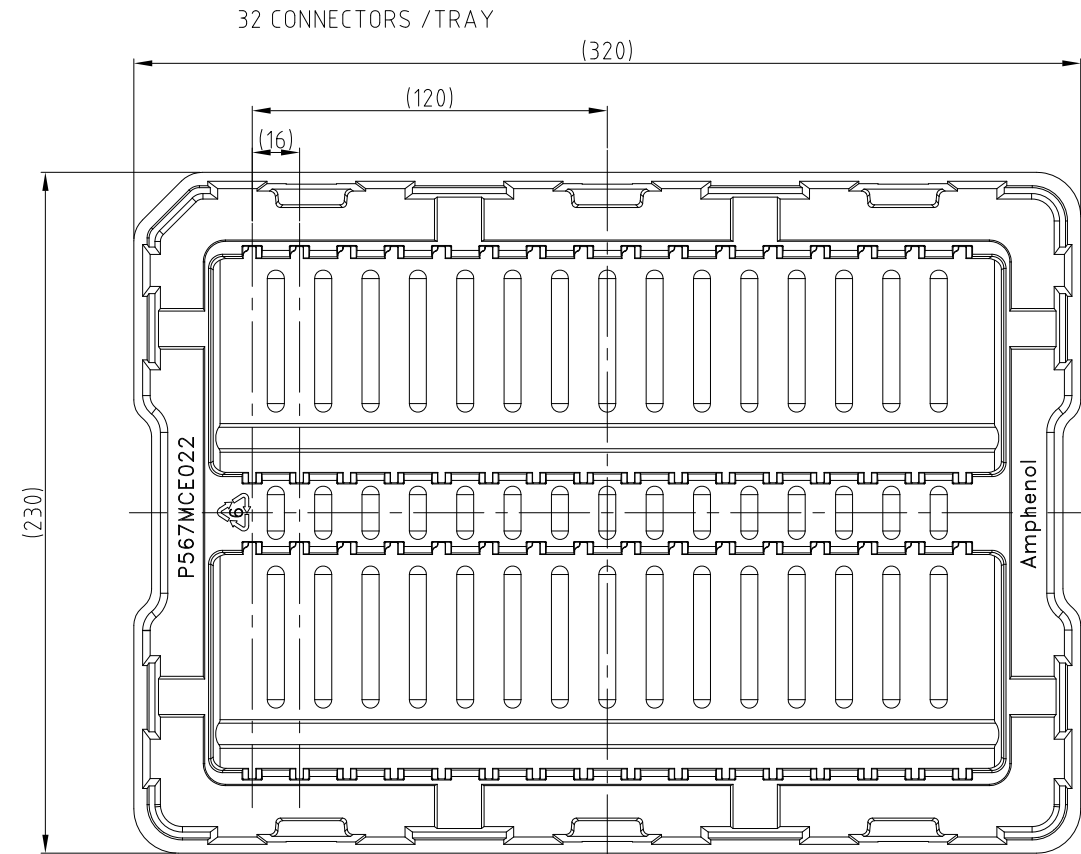
# CUSTOMER DRAWING

| REVISIONS |     |             |      |          |
|-----------|-----|-------------|------|----------|
| SYM       | ECN | DESCRIPTION | DATE | APPROVED |
|           |     | SEE SHEET 1 |      |          |



352PCS /CARTON

PACKING FOR SOFT TRAY



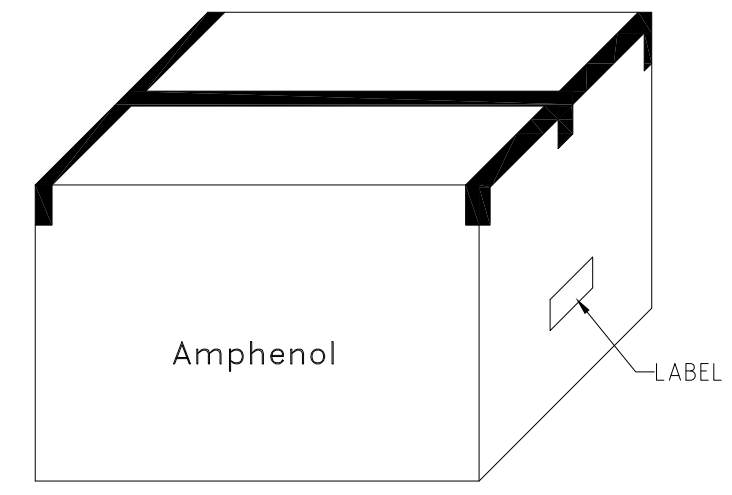
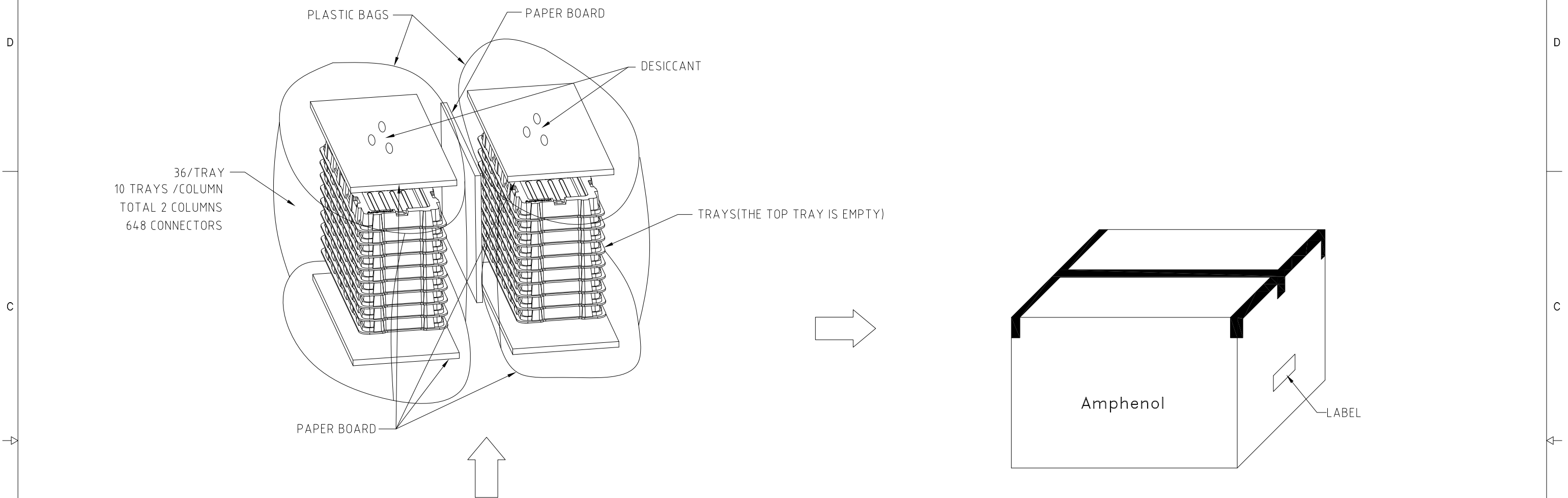
|  |          |                                       |             |
|--|----------|---------------------------------------|-------------|
| UNLESS OTHERWISE SPECIFIED TOLERANCES<br>U.S. METRIC<br>.X +/-<br>.XX +/-<br>.XXX +/-<br>FRACTIONS +/-<br>ANGLES +/-<br>FOR MATERIALS AND FINISHES SEE NOTES<br>REMOVE SHARP EDGES<br>DIMENSIONS<br>U.S. INCHES<br>(METRIC) (MM) | APPROVAL |                                       | DATE        |
|  | DRAWN    | Yunx.liu                              | Jul.03,2020 |
|  | CHECKED  | Ly.yi                                 | Jul.03,2020 |
|  | APPROVED |                                       |             |
| DRAWING FILE :   |          | INTERNAL\DRAWING\ME\C ME101404018X0XX |             |
| ANGLE OF PROJECTION  |          |                                       |             |

|  |                   |              |
|--|-------------------|--------------|
| Amphenol   |                   |              |
| TITLE<br>MINI COOL EDGE 140PIN V/T<br>0.6mm PITCH WITH POWER CONNECTOR |                   |              |
| SIZE   | DRAWING NO.       | REV.         |
| A3   | C ME101404018X0XX | 4            |
| SCALE  | NONE              | SHEET 4 OF 5 |

This document is the property of Amphenol Corporation and is delivered on the express condition that it is not to be disclosed, reproduced or used, in whole or in part, for manufacture or sale by anyone other than Amphenol Corporation without its prior consent, & that no right is granted to disclose or to use any information in this document.

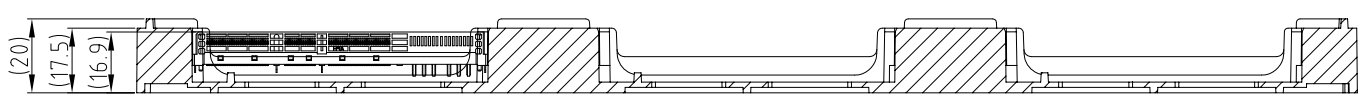
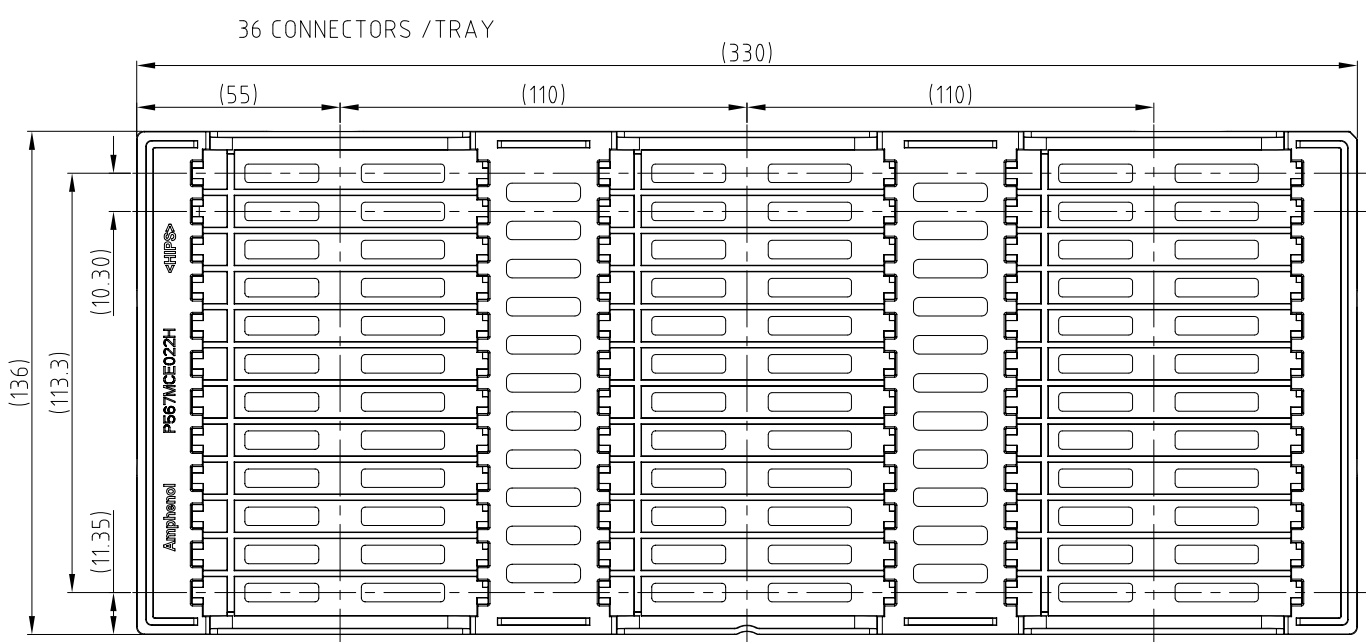
# CUSTOMER DRAWING

| REVISIONS |     |             |      |          |
|-----------|-----|-------------|------|----------|
| SYM       | ECN | DESCRIPTION | DATE | APPROVED |
|           |     | SEE SHEET 1 |      |          |



648PCS /CARTON

PACKING FOR HARD TRAY



|  |   |             |
|--|---|-------------|
| UNLESS OTHERWISE SPECIFIED TOLERANCES<br>U.S. METRIC<br>.X +/-<br>.XX +/-<br>.XXX +/-<br>FRACTIONS +/-<br>ANGLES +/-<br>FOR MATERIALS AND FINISHES SEE NOTES<br>REMOVE SHARP EDGES | APPROVAL  | DATE        |
|  | DRAWN Yunx.liu  | Jul.03,2020 |
|  | CHECKED Ly.yi   | Jul.03,2020 |
|  | APPROVED  |             |
| DIMENSIONS<br>U.S. INCHES<br>(METRIC) (MM)   | DRAWING FILE :<br>INTERNAL\DRAWING\ME\C ME101404018X0XX |             |
|  | ANGLE OF PROJECTION                                     |             |
|  |   |             |

|  |                                  |              |
|--|----------------------------------|--------------|
| Amphenol   |                                  |              |
| TITLE<br>MINI COOL EDGE 140PIN V/T<br>0.6mm PITCH WITH POWER CONNECTOR |                                  |              |
| SIZE<br>A3   | DRAWING NO.<br>C ME101404018X0XX | REV.<br>4    |
| SCALE  | NONE                             | SHEET 5 OF 5 |