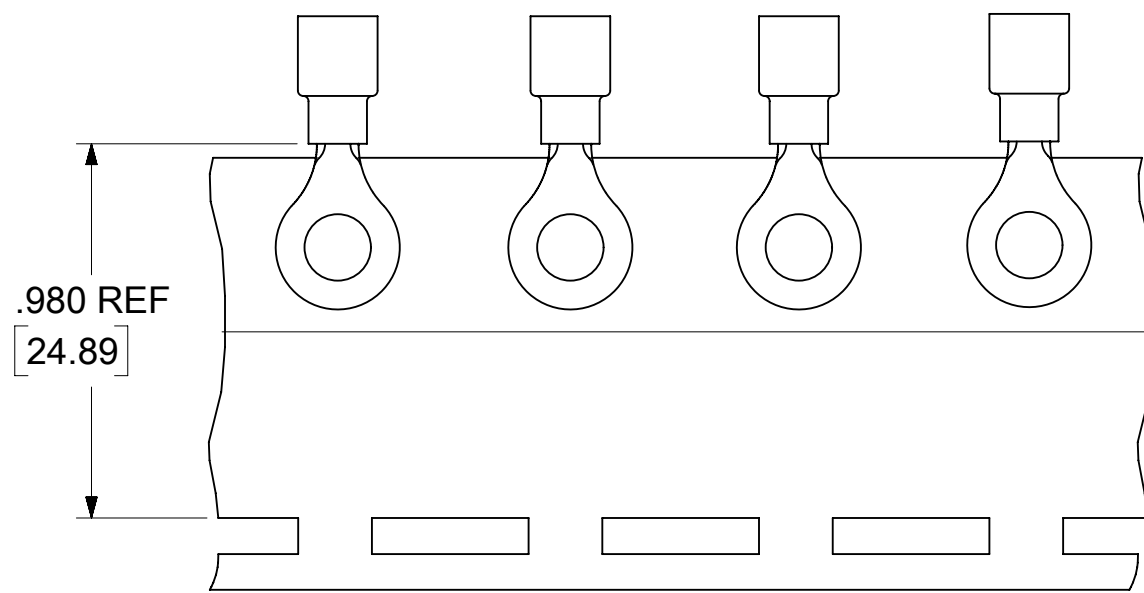
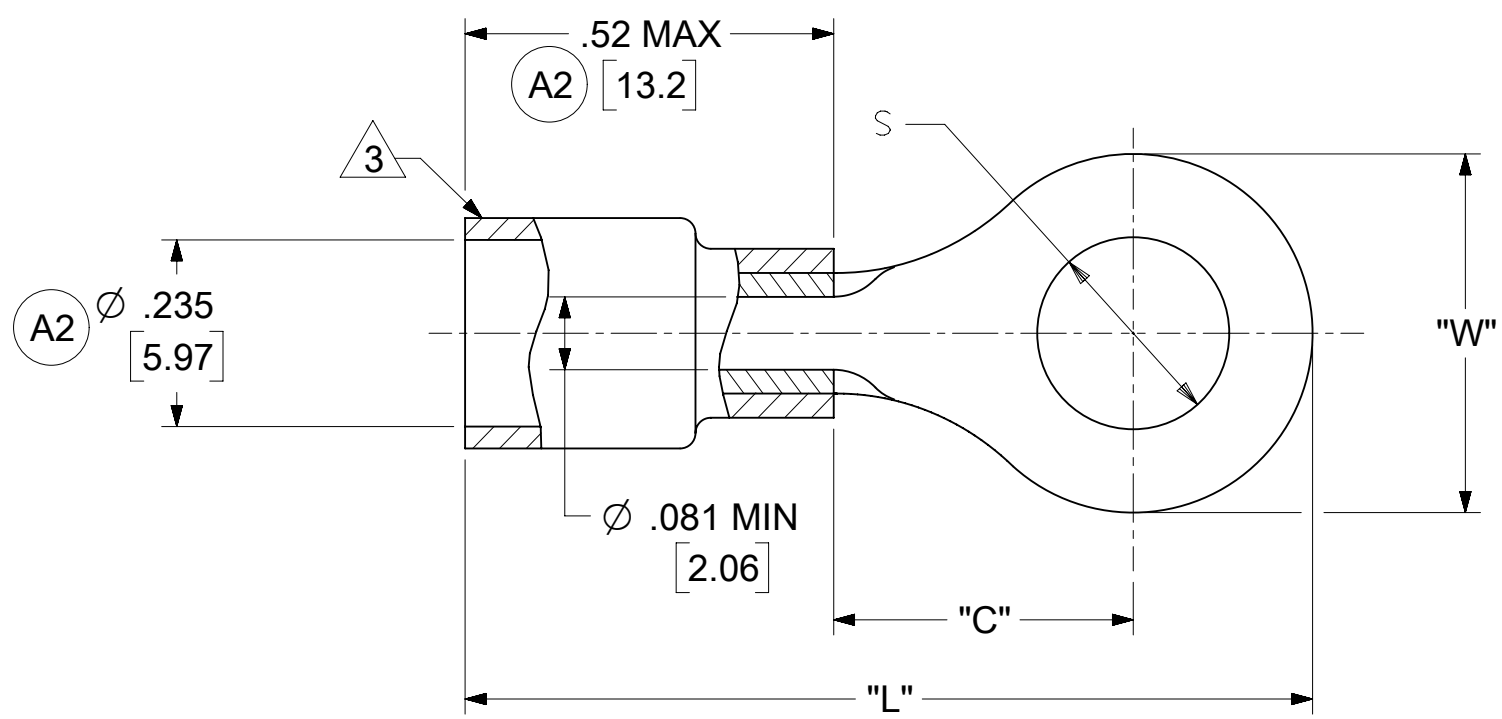


MAT'L NO.	ENG. NO.	STUD SIZE	"S" STUD SIZE	"W"	"C" MIN	"L" MAX	PACKAGING	
190700268	BB-225-14XX	1/4	.265 (6.73)	.47 (11.9)	.38 (9.7)	1.16 (29.46)	LOOSE PIECE	
190700269	BB-225-56XX	5/16	.328 (8.33)	.47 (11.9)	.38 (9.7)			
190700270	BB-237-06XX	6	.146 (3.70)	.32 (8.1)	.29 (7.4)	.96 (24.4)		
190700285	BB-237-08XX	8	.173 (4.39)	.32 (8.1)	.29 (7.4)			
190700322	BB-237-10XX	10	.198 (5.03)	.32 (8.1)	.29 (7.4)			
190700271	BB-239-08XX	8	.173 (4.39)	.34 (8.6)	.31 (7.9)	1.01 (25.6)		
190700105	BB-239-10XX	10	.198 (5.03)	.34 (8.6)	.31 (7.9)			
190700077	BB-225-14XXT	1/4	.265 (6.73)	.47 (11.9)	.38 (9.7)	1.16 (29.46)		TAPE MOUNTED
190700080	BB-225-56XXT	5/16	.328 (8.33)	.47 (11.9)	.38 (9.7)			
190700085	BB-237-06XXT	6	.146 (3.70)	.32 (8.1)	.29 (7.4)	.96 (24.4)		
190700089	BB-237-08XXT	8	.173 (4.39)	.32 (8.1)	.29 (7.4)			
190700101	BB-239-08XXT	8	.173 (4.39)	.34 (8.6)	.31 (7.9)	1.01 (25.6)		
190700106	BB-239-10XXT	10	.198 (5.03)	.34 (8.6)	.31 (7.9)			



PARTS ON TAPE



- NOTE(S):
1. MATERIAL: 1/4 HARD COPPER
 2. PLATING: ELECTRO-TIN
 - 3 INSULATION: PVC (BLUE)
 4. PARTS ARE RoHS COMPLIANT

SYMBOLS	THIS DRAWING CONTAINS INFORMATION THAT IS PROPRIETARY TO MOLEX ELECTRONIC TECHNOLOGIES, LLC AND SHOULD NOT BE USED WITHOUT WRITTEN PERMISSION		CURRENT REV DESC: DIM 1.16 WAS 1.13	
	DIMENSION UNITS	SCALE		
$\nabla = 0$	IN/MM	NTS		
$\nabla = 0$	GENERAL TOLERANCES (UNLESS SPECIFIED)			
$\nabla = 0$		MM	INCH	
$\nabla = 0$	4 PLACES	±	±	
$\nabla = 0$	3 PLACES	±	± 0.005	
$\nabla = 0$	2 PLACES	± 0.13	± 0.01	
$\nabla = 0$	1 PLACE	± 0.25	±	
$\nabla = 0$	0 PLACES	±	±	
$\nabla = 0$	ANGULAR TOL		± 0.5°	
$\nabla = 0$	DRAFT WHERE APPLICABLE MUST REMAIN WITHIN DIMENSIONS		THIRD ANGLE PROJECTION	DRAWING
$\nabla = 0$			SERIES	19070
DOCUMENT STATUS		P1	RELEASE DATE	2019/07/25 20:59:40
DOCUMENT NUMBER		SD-19070-004		DOC TYPE
MATERIAL NUMBER		SEE CHART		DOC PART
CUSTOMER		GENERAL MARKET		REVISION
SHEET NUMBER		1 OF 1		