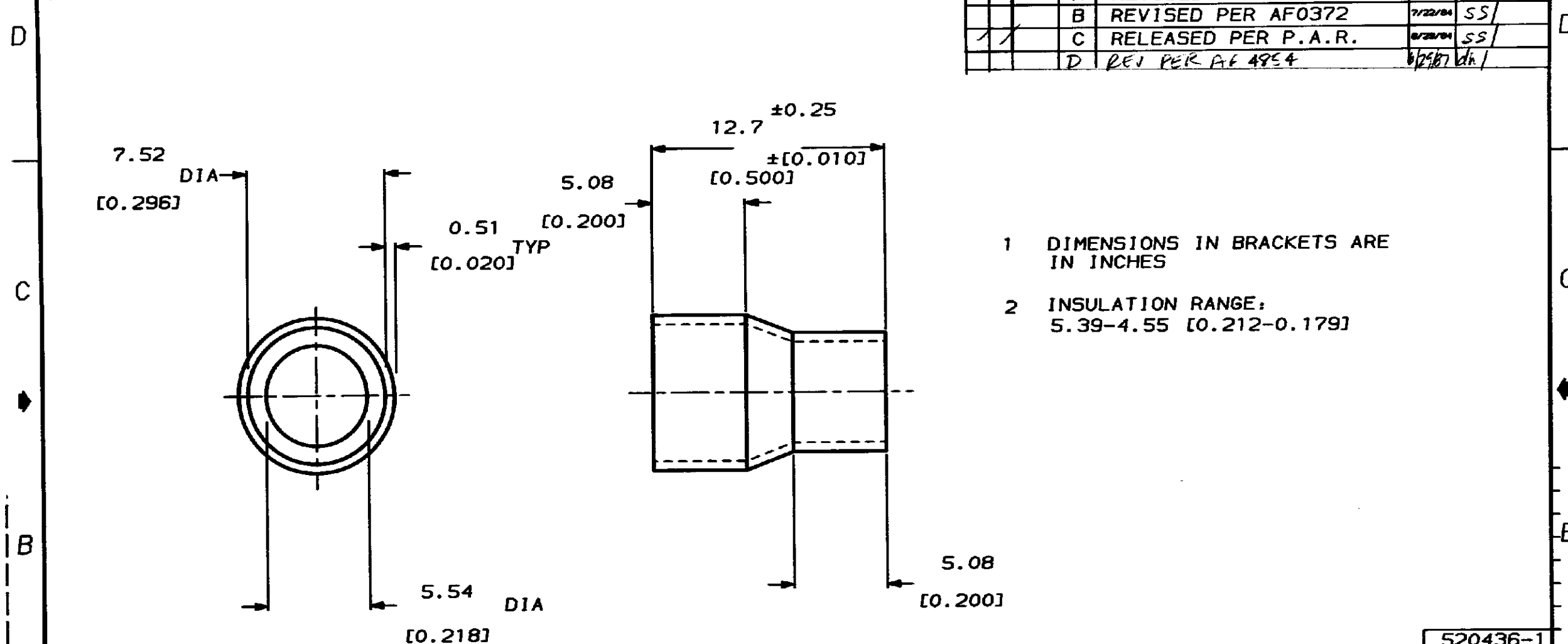


DRAWING MADE IN THIRD ANGLE PROJECTION

THIS DRAWING IS UNPUBLISHED. RELEASED FOR PUBLICATION, 19
 © COPYRIGHT 19 BY AMP INCORPORATED, HARRISBURG, PA. ALL INTERNATIONAL RIGHTS RESERVED. AMP PRODUCTS MAY BE COVERED BY U.S. AND FOREIGN PATENTS AND/OR PATENTS PENDING.

REVISIONS						
P	F	ZONE	LTR	DESCRIPTION	DATE	APPROVED
			A	REVISED PER AF0305	1/23/84	SS
			B	REVISED PER AF0372	7/22/84	SS
			C	RELEASED PER P.A.R.	8/28/84	SS
			D	REV PER AF 4854	6/29/87	dh



520436-1

PART NO

UNLESS OTHERWISE SPECIFIED DIMENSIONS ARE IN INCHES. TOLERANCES ON DECIMALS ±0.38 (0.015) ANGLES ±	CONTRACT NO	AMP INCORPORATED Harrisburg, Pa.	
	DR <i>[Signature]</i> 4/2/84	NAME SDL FERRULE STYLE A (8 POSITION)	
	CHK <i>[Signature]</i> 9/2/84	SIZE B	FSCM NO 00779
	MATERIAL COPPER	APPD <i>[Signature]</i> 8/30/84	DRAWING NO 520436
FINISH BRIGHT TIN	DSGN APPD	SCALE	SHEET