

NOTES:

1. MATERIALS AND FINISHES:

BODY - BRASS - BRIGHT TIN PLATING (.000200" MIN.) OVER NICKEL PLATING (.000100" MIN.)  
 CONTACT & CLIPS - BERYLLIUM COPPER - BRIGHT TIN PLATING (.000100" MIN.) OVER NICKEL PLATING (.000100" MIN.)  
 INSULATORS - PTFE

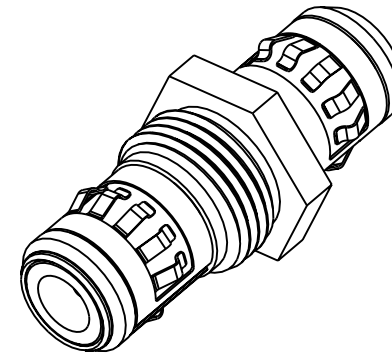
2. PHYSICAL:

OPERATING TEMPERATURE = -40°C to +105°C  
 DURABILITY = 150 MATING CYCLES MINIMUM  
 INSERTION/WITHDRAWAL FORCES = 1.0 LB. MIN. to 8.0 LB. MAX. WHEN TESTED IN A  $\varnothing .385 \pm .002$  BORE

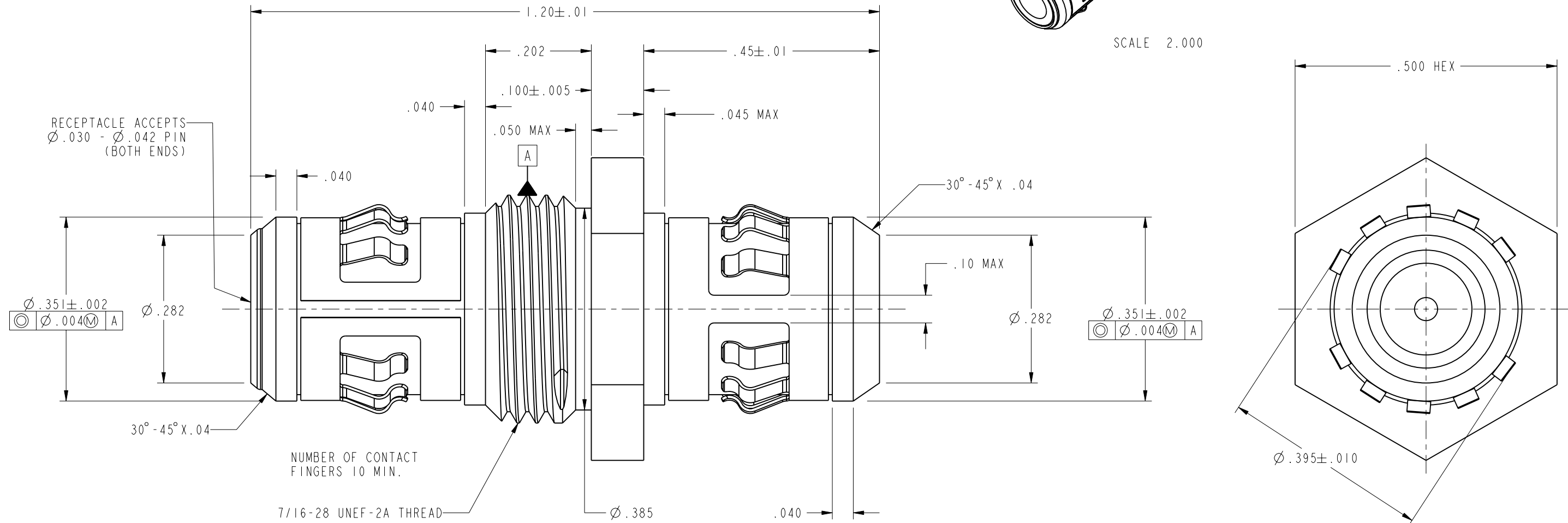
3. ELECTRICAL:

RETURN LOSS = -28 dB MINIMUM FROM DC TO 1.200 GHz  
 AC CURRENT RATING = 1 AMP CONTINUOUS  
 PEAK VOLTAGE RATING = 1,000 VAC, 50/60 Hz  
 INSULATION RESISTANCE = 1,000 MEGOHMS @ 500 VDC

|                   |     |   |         |       |      |
|-------------------|-----|---|---------|-------|------|
| 531-40119         |     | REVISIONS   |         |       |      |
| DRAWING NO.       | REV | DESCRIPTION   | DATE    | ECO   | APPR |
| THIRD ANGLE PROJ. | A   | RELEASE TO MFG.                                     | 2/14/02 | 43962 | BCG  |
|                   | B   | MODIFIED BODY COMPONENT FOR REDUCED INSERTION FORCE | 6/4/04  | 44998 | KJC  |



SCALE 2.000



**CUSTOMER OUTLINE DRAWING**

ALL OTHER SHEETS ARE FOR INTERNAL USE ONLY

|   |                            |                                   |                   |   |               |   |              |              |
|---|----------------------------|-----------------------------------|-------------------|---|---------------|---|--------------|--------------|
| UNLESS OTHERWISE SPECIFIED, DIMENSIONS ARE IN INCHES AND TOLERANCES ARE:<br>2 PLACE DECIMAL ±.015 (0,381 mm)<br>3 PLACE DECIMAL ±.005 (0,127 mm)<br>ANGLES ± 1°   | MATERIAL                   | DRAWN<br>K. CAPOZZI               | DATE<br>11-FEB-02 | TITLE<br>"G" (FEMALE) TO<br>"G" (FEMALE) SPLICE |               | <b>Amphenol RF</b><br>Danbury, CT, USA<br>Tainan, Taiwan<br>Shenzhen, China<br>www.amphenolrf.com |              |              |
|   | REFERENCE<br>616X-1056-400 | ENGINEER<br>B. C. GLEISSNER       | DATE<br>11-FEB-02 |   |               |   |              |              |
| NOTICE - These drawings, specifications, or other data (1) are, and remain the property of Amphenol Corp. (2) must be returned upon request; and (3) are confidential and not to be disclosed to any person other than those to whom they are given by Amphenol Corp. The furnishing of these drawings, specifications, or other data by Amphenol Corp., or to any other person to anyone for any purpose is not to be regarded by implication or otherwise in any manner licensing, granting rights or permitting such holder or any other person to manufacture, use or sell any product, process or design, patented or otherwise, that may in any way be related to or disclosed by said drawings, specifications, or other data. | EAR# 458<br>GEN# ASSYF10_G | APPROVED<br>O. BARTHELMES         | DATE<br>13-FEB-02 | CODE ID<br>74868                                | DWG SIZE<br>B | DRAWING NO.<br>531-40119  | SCALE: 5.0:1 | SHEET 2 OF 2 |
|   |                            | CAD FILE<br>I:\CATV\F&G\531-40119 |                   |   |               |   |              |              |
|   |                            |                                   |                   |   |               |   |              |              |