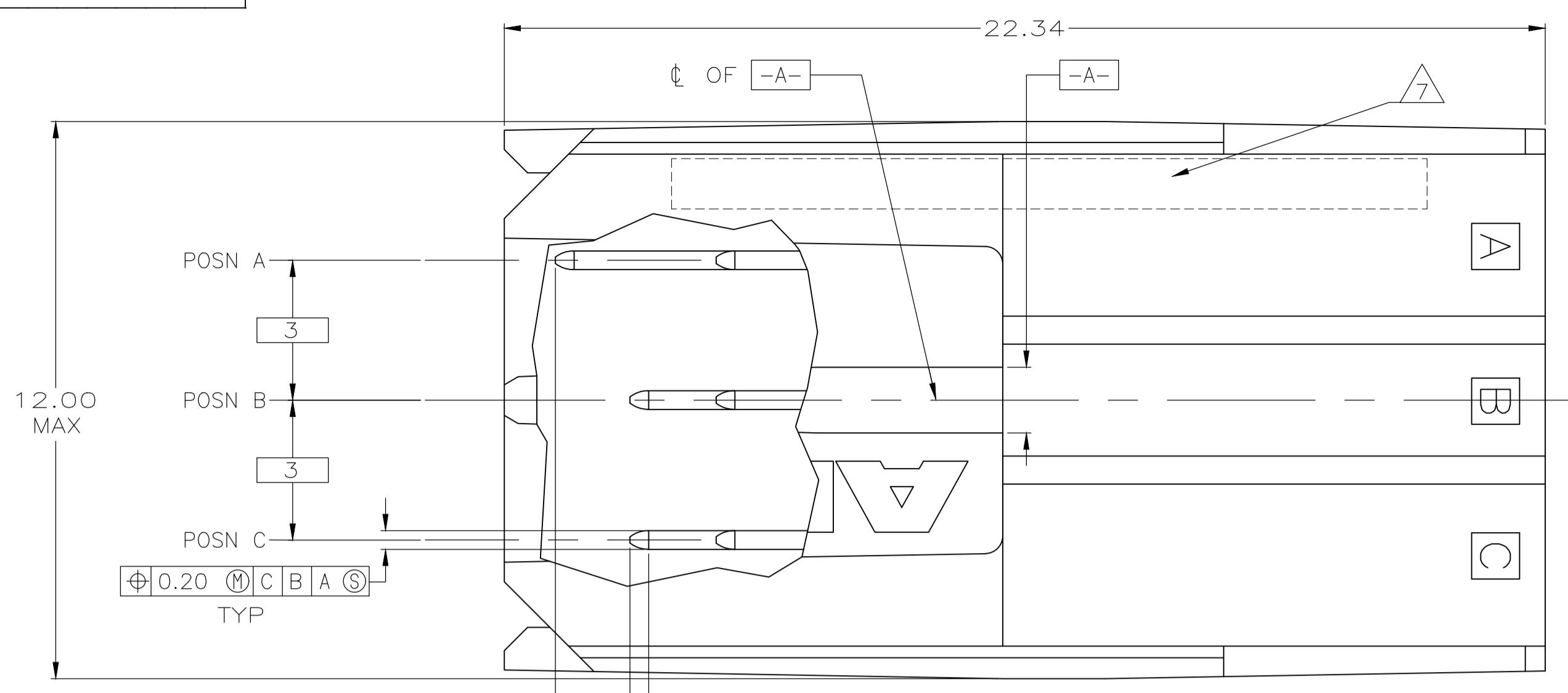
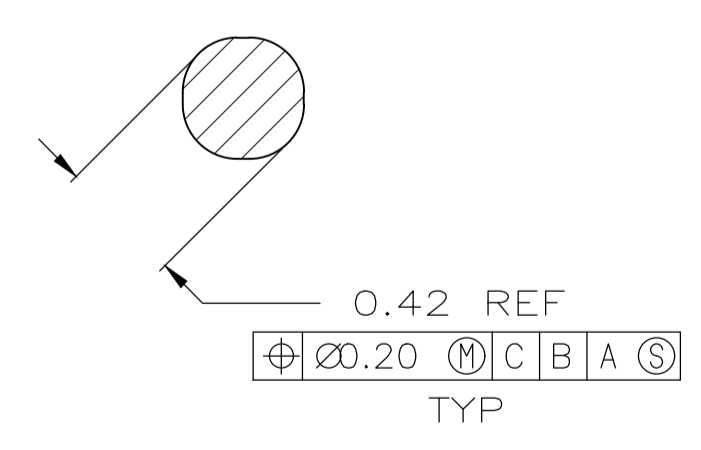
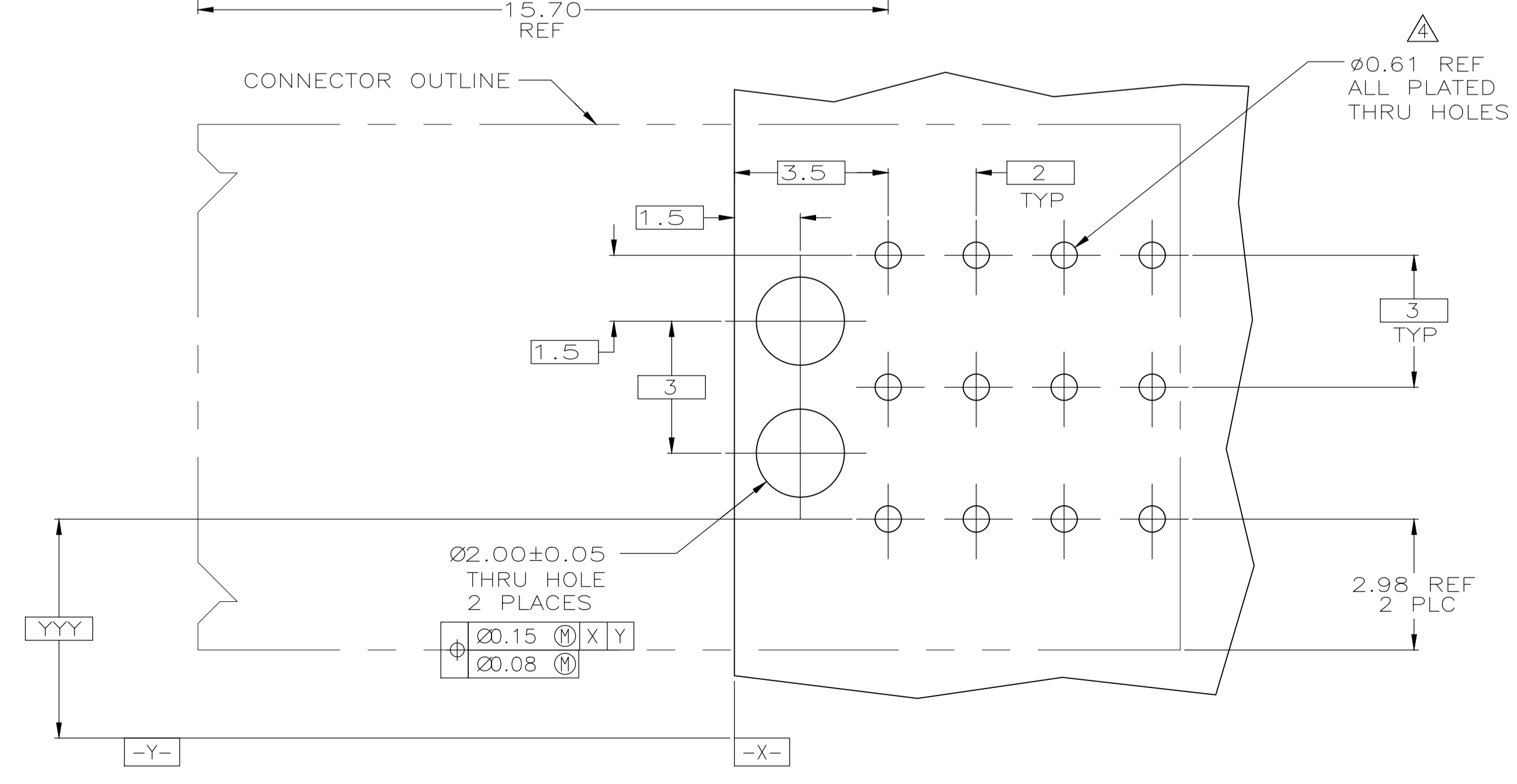
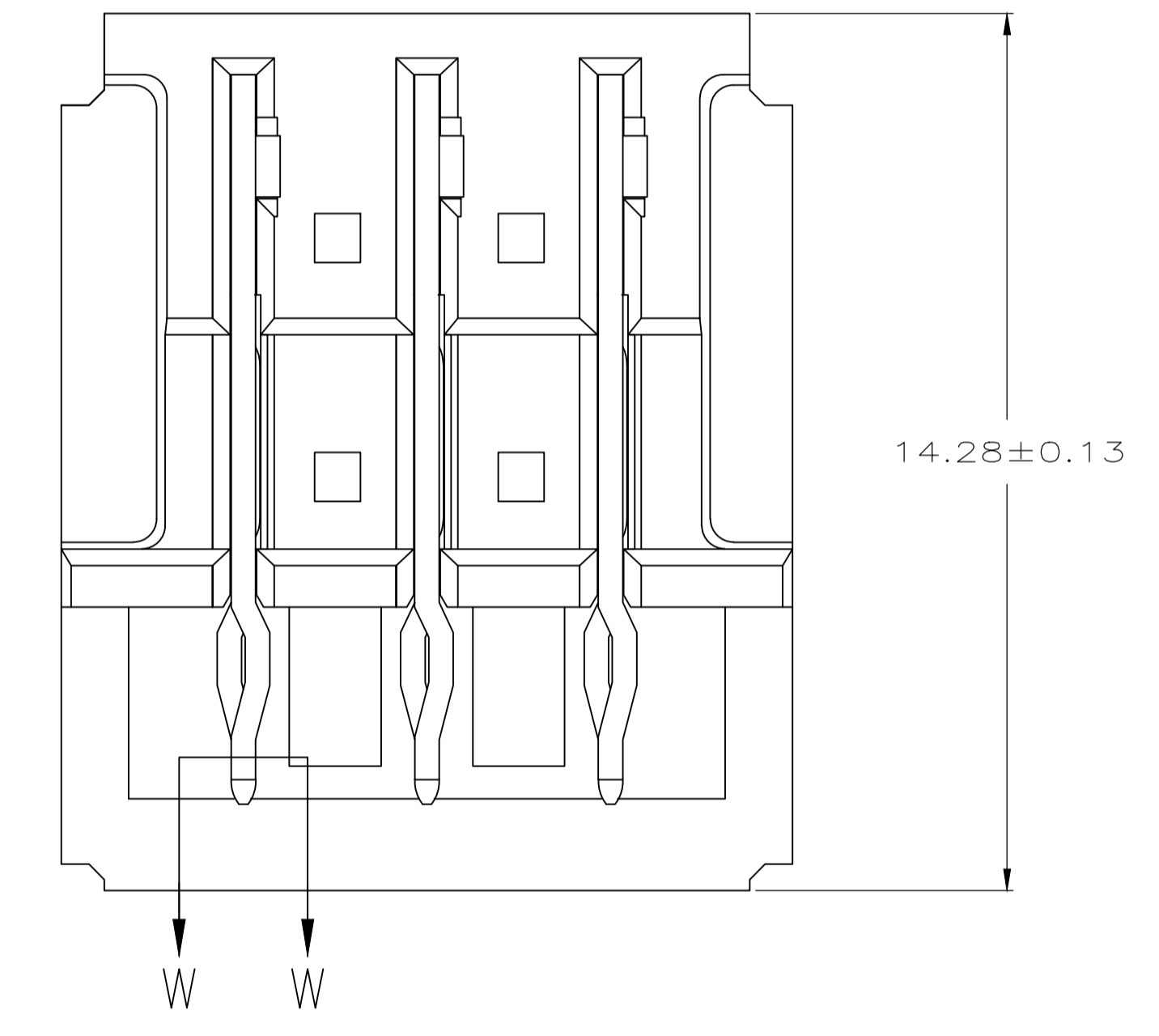
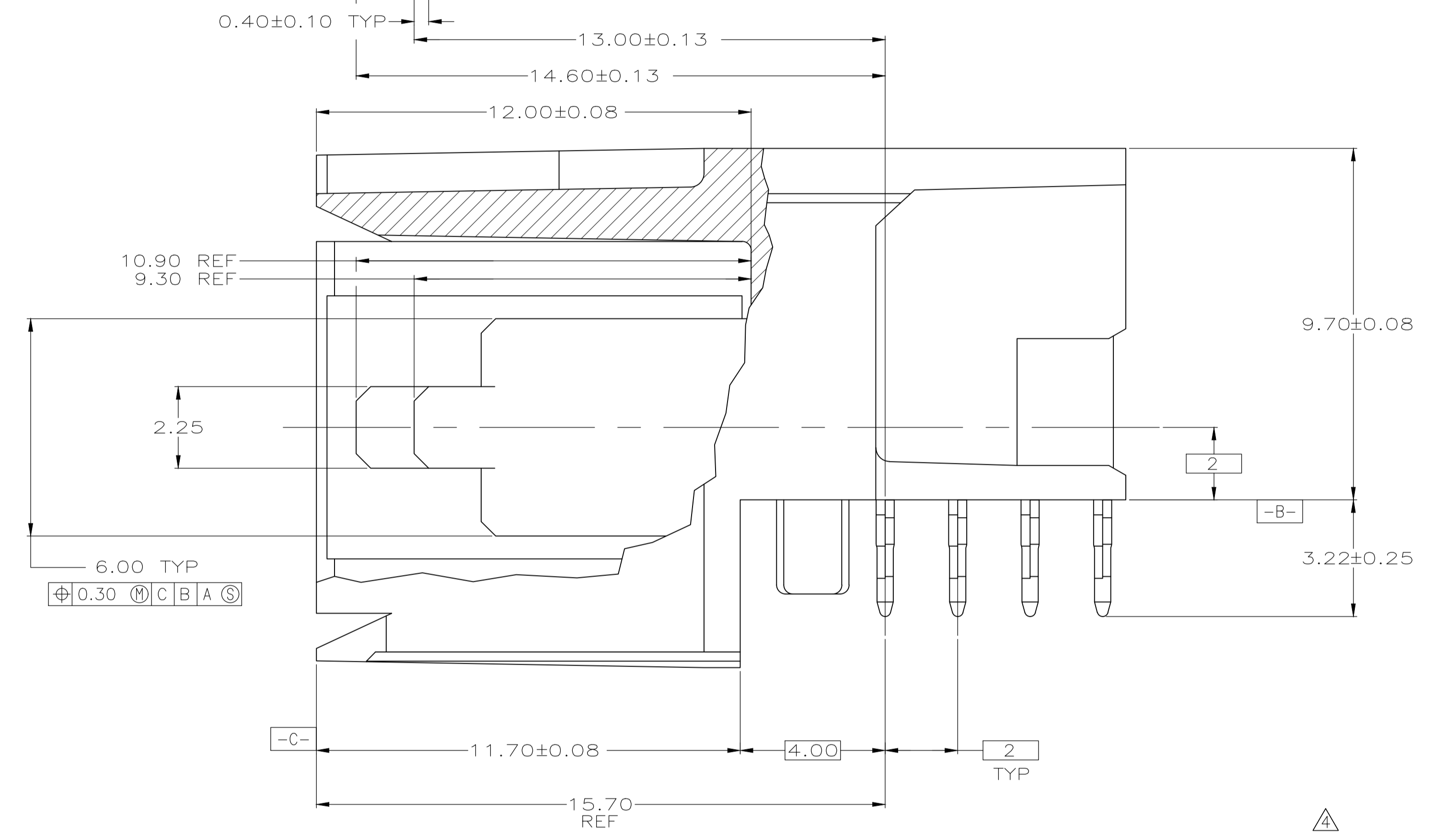
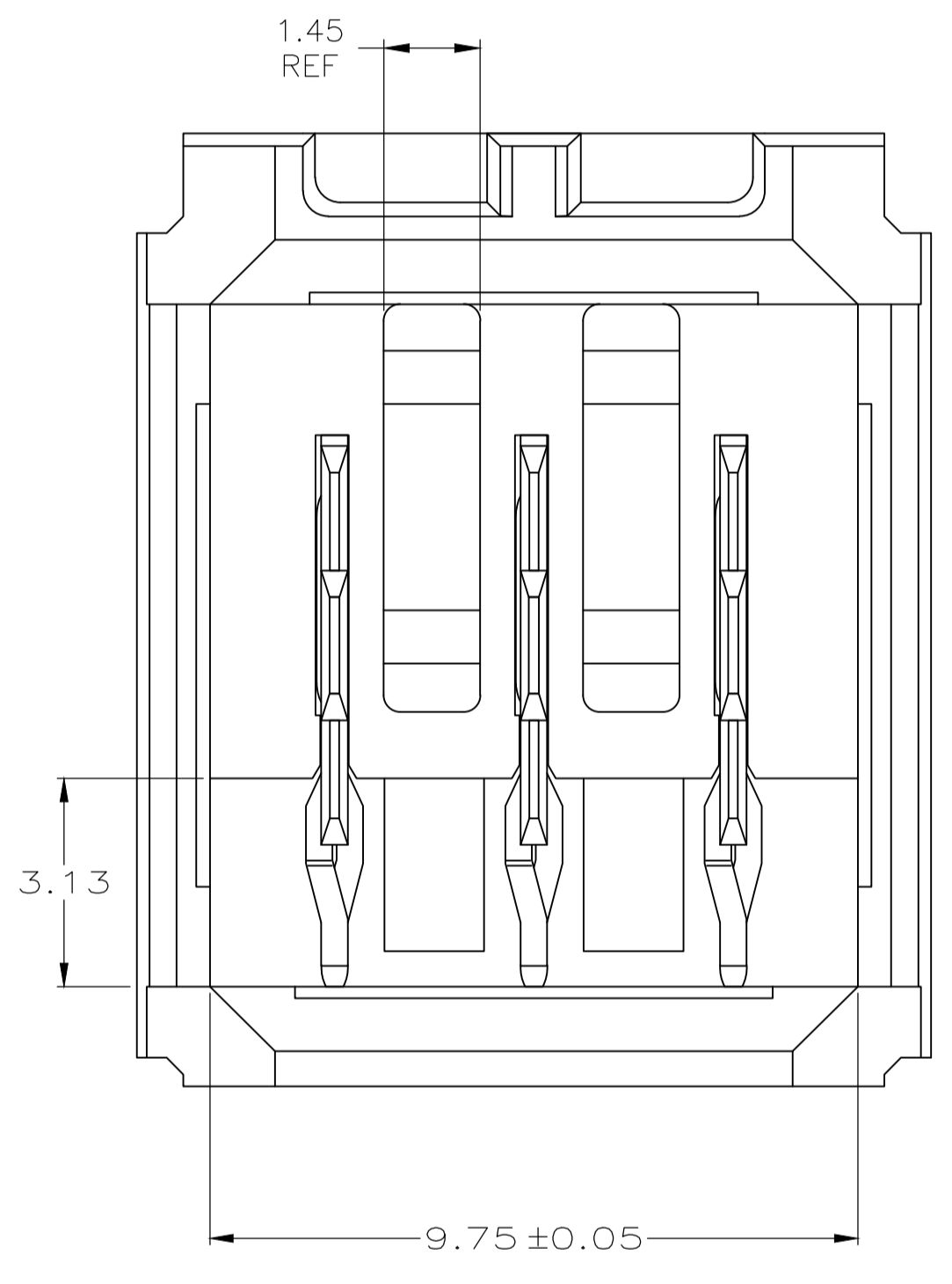


LOC		DIST		REVISIONS			
AD	00	REV	PER	DESCRIPTION	DATE	DMN	APVD
C3	REV PER	ECO-20-004668			27MAY2020	ML	SZ



- 1 MATERIAL: HOUSING: POLYESTER. COLOR: GRAY. UL 94V-O. CONTACT: PHOSPHOR BRONZE.
- 2 FINISH: IN ACCORDANCE WITH PRODUCT SPECIFICATION 108-1651, GOLD PLATING OR EQUIVALENT PLATING ON PRODUCT CONTACT MATING AREA, AND MATTE TIN PLATING ON COMPLIANT PIN AREA, ALL OVER MATTE NICKEL UNDERPLATED. DETAIL PLEASE REFER TO PRODUCT SPECIFICATION 108-1651.
- 3 FINISH: CONTACT LUBRICATION WITH BELLCORE APPROVED LUBRICANT. TECHNICAL REFERENCE: TR-NWT-001217 ISSUE 1, SEPT 1992.
- 4 REFERENCE APPLICATION SPEC 114-1103 FOR RECOMMENDED PLATED THRU HOLE DIAMETER AND PLATING THICKNESS.
- 5 CURRENT RATING 10A/CONTACT FOR PHOS BRONZE CONTACT AND 16A/CONTACT FOR HIGH CURRENT COPPER ALLOY CONTACT PER PRODUCT SPEC 108-1651.
- 6 MATERIAL: HOUSING: POLYESTER, COLOR: GRAY, UL94V-0 CONTACT: HIGH CONDUCTIVITY COPPER ALLOY.
- 7 TE PART NUMBER AND DATE CODE, IN THE REFERENCE PRINTING AREA



SECTION W-W
 SCALE 40:1

DESCRIPTION	REMARKS	PART NUMBER
UPM HC 3P CONN		5-5223968-1
UPM STD 3P CONN		5223968-1

THIS DRAWING IS A CONTROLLED DOCUMENT.

DIMENSIONS: mm	TOLERANCES UNLESS OTHERWISE SPECIFIED:	DIN B CARBO 130EC04	NAME
0 PLC ± -	1 PLC ± -	CIR R PATTERSON 130EC04	R PATTERSON
2 PLC ± 0.13	3 PLC ± -	APVD R PATTERSON 130EC04	TE Connectivity
4 PLC ± -	ANGLES ± -	PRODUCT SPEC 108-1651	ASSEMBLY, RIGHT ANGLE HEADER, W/ RETENTION PEGS, UNIVERSAL POWER MODULE
MATERIAL 1	FINISH 2, 3	APPLICATION SPEC 114-1103	SIZE A1
		WEIGHT -	CAGE CODE DRAWING NO 00779C=5223968
		CUSTOMER DRAWING	SCALE 10:1 SHEET 1 OF 1 REV C3

RECOMMENDED PCB HOLE LAYOUT