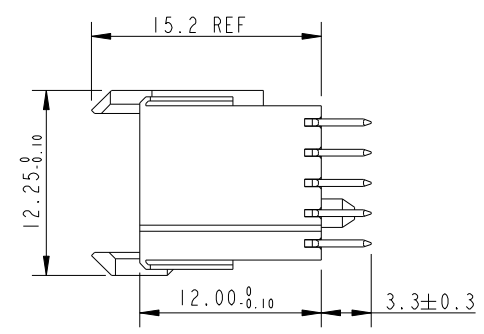
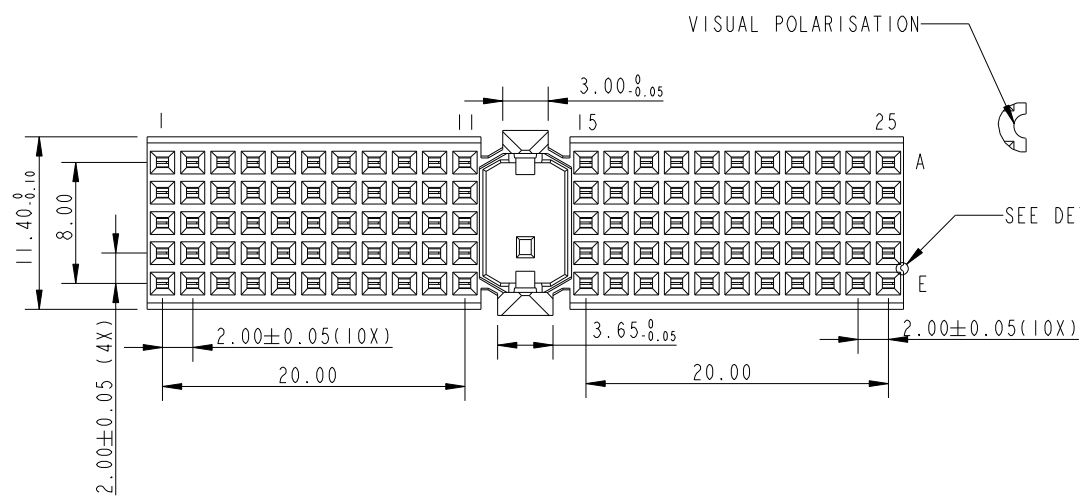


Tous droits strictement réservés. Reproduction ou communication à des tiers interdite sous quelque forme que ce soit sans autorisation écrite du propriétaire. Propriété de c FCI. Droits de reproduction FCI.

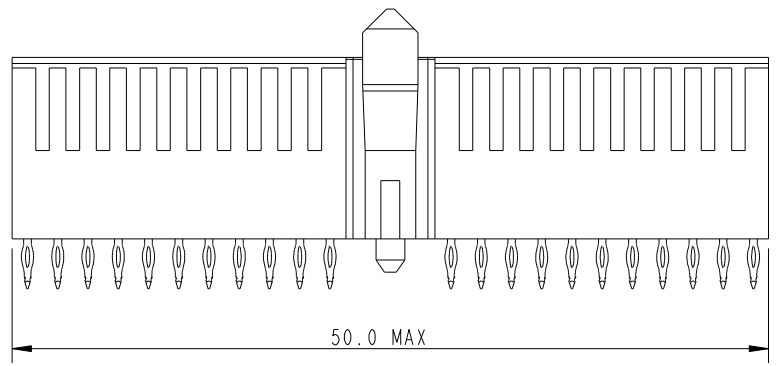
FCI

All rights strictly reserved. Reproduction or issue to third parties in any form whatever is not permitted without written authority from the proprietor. Property of FCI. Copyright FCI.

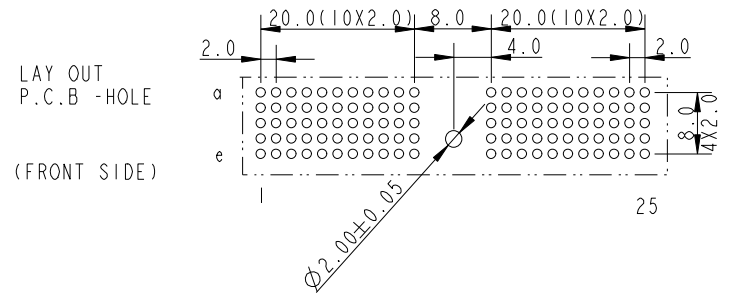


PERFORMANCE CHARACTERISTICS

- CURRENT RATING : 1.5A AT 20°C (FULLY LOADED)
1 A AT 70°C (FULLY LOADED)
- RATED VOLTAGE : 500 V AC (CONT /CONT)
- OPERATING TEMPERATURE : -55°C TO 125°C
- CONTACT RESISTANCE 20 MΩ MAX
- INSERTION FORCE : 0.75N MAX/CONT
- EXTRACTION FORCE : 0.15N MIN/CONT
- INSULATION RESISTANCE : 10⁴ MΩ MIN



- NOTES**
- LEAD FREE INDICATOR : LF=LEAD FREE
 - PERFORMANCE LEVEL INDICATION (REF DWG NO. BSC .201844.003)
 - THIS PRODUCT IS CSA APPROVED. THIS PRODUCT IS UL RECOGNIZED.
 - FOR RECOMMENDED PTH DIMENSIONS REFER DRAWING : BS.A.201572.001
 - THIS PRODUCT (LF) MEETS EUROPEAN UNION DIRECTIVES AND OTHER COUNTRY REGULATIONS AS DESCRIBED IN GS-22-008



rev	ecn no	dr	date
A	CONVERSION REVISION 00	KN	14-09-01
B	DG05-0278	Reason	02-08-05
-	-	-	-
-	-	-	-
-	-	-	-
-	-	-	-

Material		Spec ref	
Mat code		tolerance	projection
Heatreat		1DEC±0.2 1DEC 2DEC±0.1 2DEC ANGLE±1° HOEKEN	MM
Plating/Finish		size	Scale
Dr W.Panis	27-01-95	A4	2.000
Eng		Product family	MILLIPACS
Chr		Model Name	
Appr		Model Revision	
		ECN	DG05-0278
		REL Level	
FCI	title	dwg no	Rev.
	MPACS 5R STR RCP SG PF ASSY TYPE A	BSC201907001	B
Pro/E file	catalog	CUSTOMER DRAWING	sheet 1 of 1