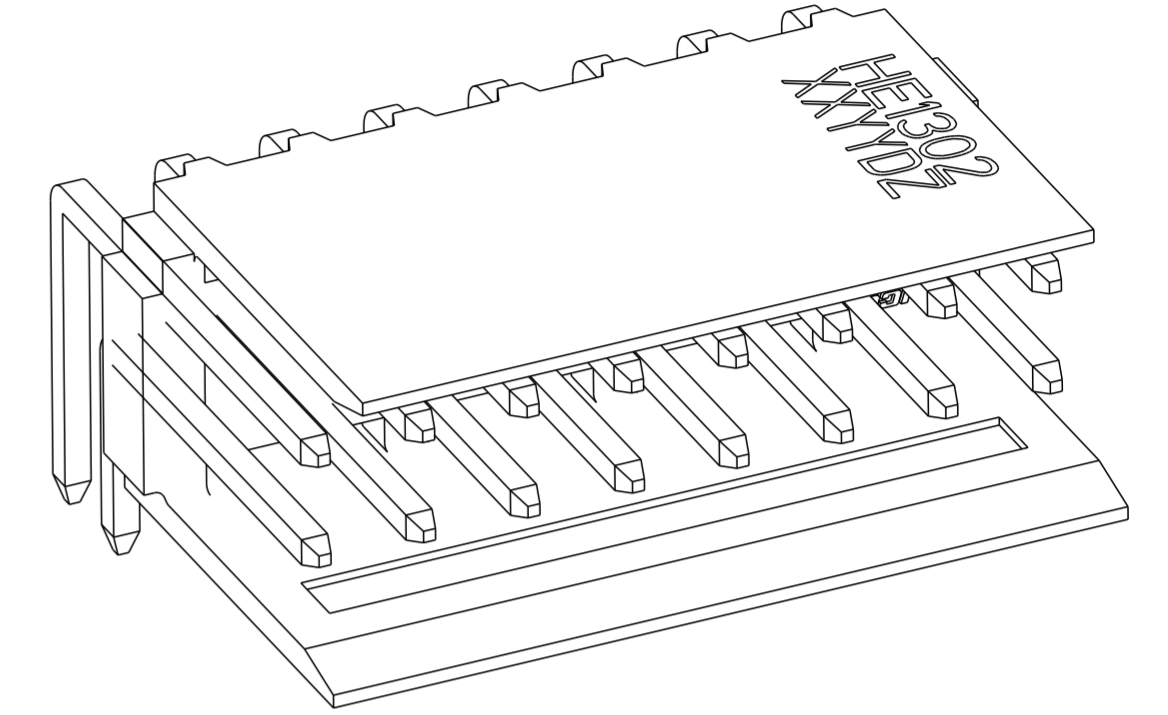
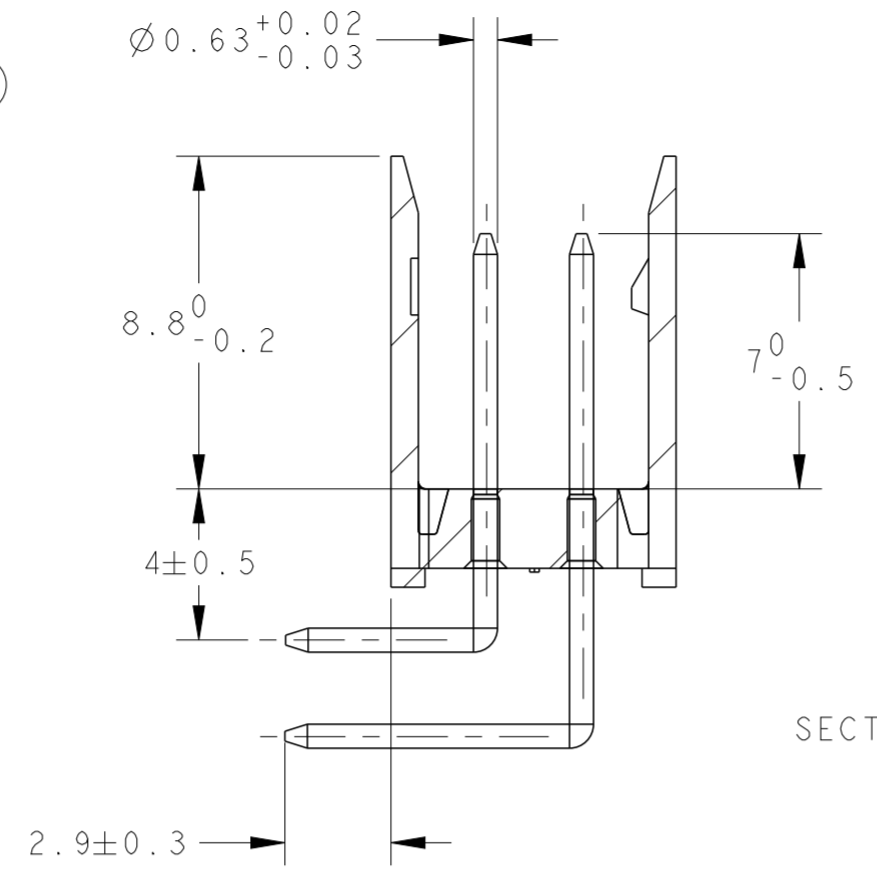
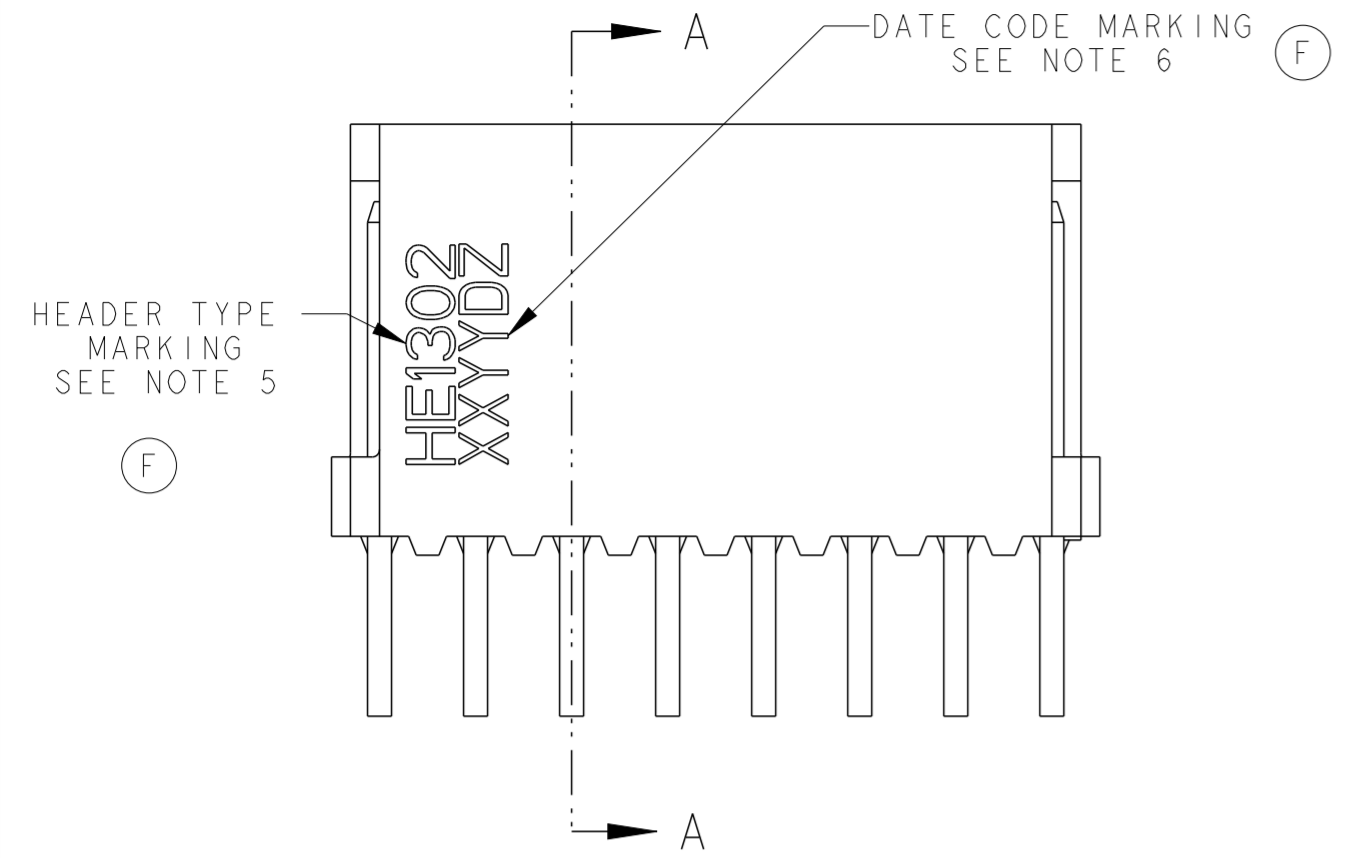
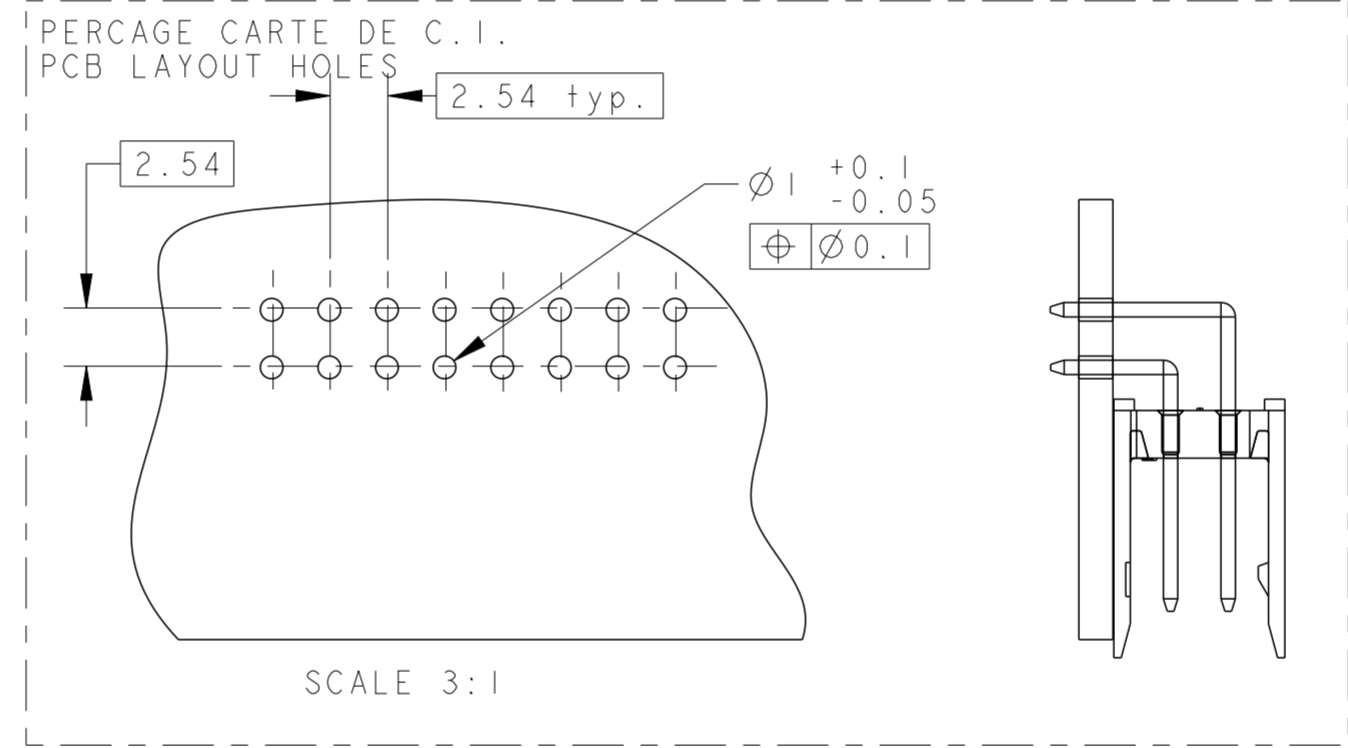
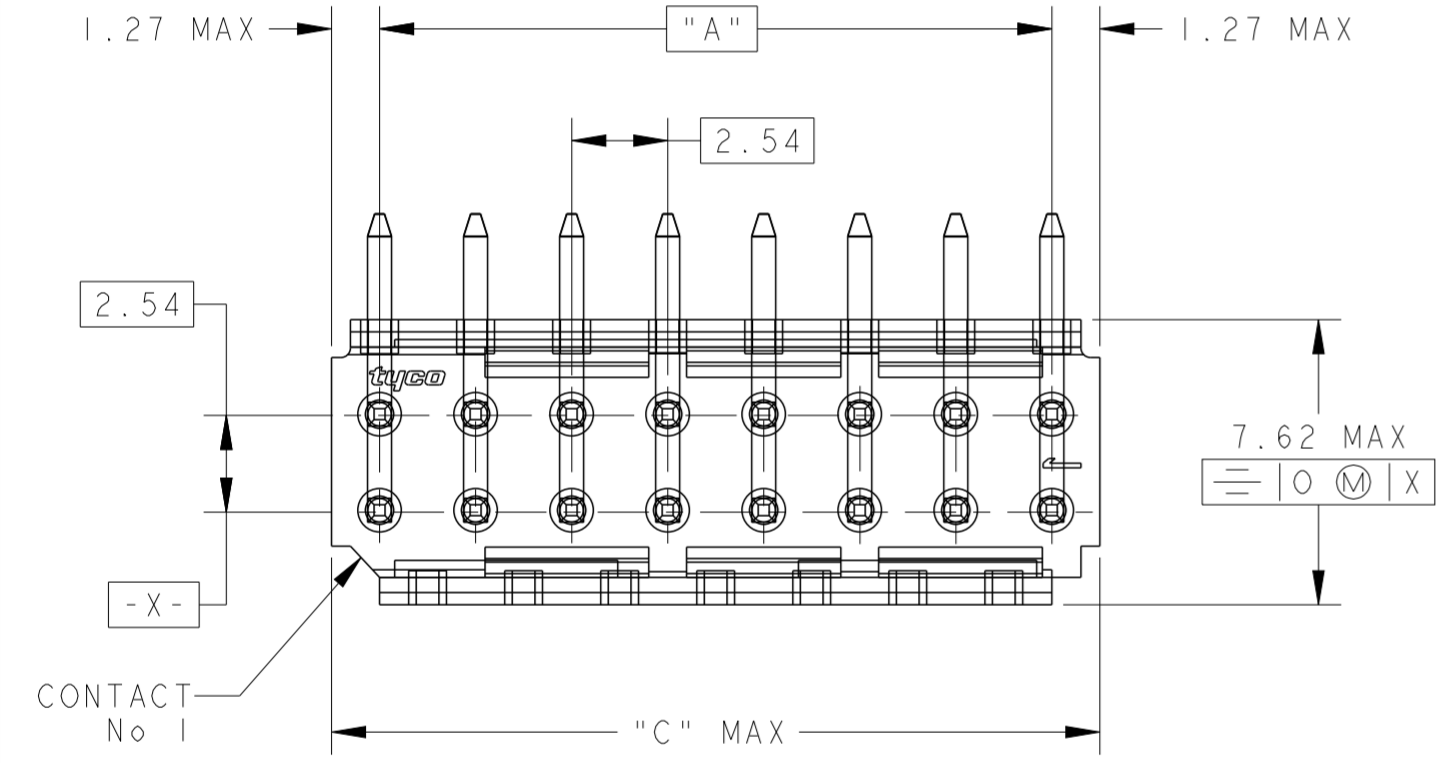


THIS DRAWING IS UNPUBLISHED.
 DIFFUSION RESTREINTE
 © COPYRIGHT 20 BY -
 RELEASED FOR PUBLICATION
 LIBRE A LA DIFFUSION
 20
 ALL RIGHTS RESERVED.
 TOUS DROITS RESERVES

| REVISIONS | | | | | |
|-----------|-----|------------------------------|-----------|--------------|--------------|
| P | LTR | DESCRIPTION MODIFICATIONS | DATE | DWN DESS. | APVD APP. |
| | F1 | DRAWING NOTES CORRECTED | 01AUG2016 | KJK | PS |
| | | | | | |
| | | | | | |



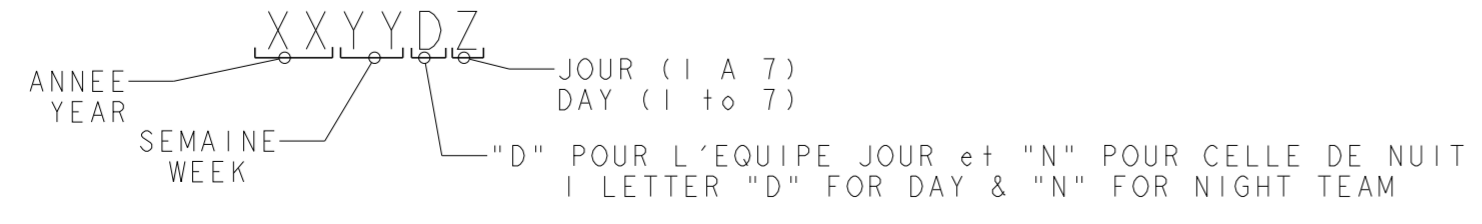
SCALE 6:1



SCALE 3:1

| | | | | |
|-----------------|------------|-------|-----------|--------------|
| OBSOLETE | 50.80 | 48.26 | 2x 20 | 2-281743-0 |
| | 45.72 | 43.18 | 2x 18 | 1-281743-8 * |
| OBSOLETE | 43.18 | 40.64 | 2x 17 | 1-281743-7 |
| | 38.10 | 35.56 | 2x 15 | 1-281743-5 * |
| OBSOLETE | 33.02 | 30.48 | 2x 13 | 1-281743-3 |
| | 30.48 | 27.94 | 2x 12 | 1-281743-2 * |
| | 25.40 | 22.86 | 2x 10 | 1-281743-0 * |
| | 20.32 | 17.78 | 2x 8 | 0-281743-8 * |
| | 15.24 | 12.70 | 2x 6 | 0-281743-6 * |
| | 12.70 | 10.16 | 2x 5 | 0-281743-5 * |
| | 10.16 | 7.62 | 2x 4 | 0-281743-4 * |
| | 7.62 | 5.08 | 2x 3 | 0-281743-3 * |
| | 5.08 | 2.54 | 2x 2 | 0-281743-2 |
| | C | A | Nb DE POS | PART NUMBER |
| | DIMENSIONS | | | |

- NOTES:
1. THESE HEADERS ARE DESIGNED TO BE MATED WITH "HEI302" RECEPTACLES DOUBLE ROW
 2. THE PART NUMBERS FOLLOWED BY * ARE COVERED BY THE INTERNATIONAL STANDARD IEC 603-8
 3. CONTACTS PLATING: MATING AREA SELECTIVE GOLD MIN 0.4µm OVER MIN 1.27µm NICKEL
SOLDER AREA MIN 2.5µm TIN OVER MIN 1.27µm NICKEL
 4. PLASTIC MATERIAL: HIGH TEMPERATURE THERMOPLASTIC, UL-94V0, BLUE COLOR
CONTACT MATERIAL: PHOSPHOR BRONZE
 5. HEADER TYPE MARKING (HEI302) WITH BLACK INK
 6. DATE CODE MARKING WITH BLACK INK



OBSOLETE PARTS: OBSOLETE CIS STREAMLINING PER D.RENAUD/D.SINISI

| | | | | | |
|--|--|---|--|---|--|
| THIS DRAWING IS A CONTROLLED DOCUMENT. CE PLAN EST UN DOCUMENT CONTROLE PAR AMP INCORPORATED. IL EST SUSCEPTIBLE D'ETRE REVISE. CONTACTER LE SERVICE TECHNIQUE D'AMP DE FRANCE POUR OBTENIR LA DERNIERE REVISION. | | DWN/DESSINE 22NOV2000 C. COMBEDOUZON CHK/VERIFIE 22NOV2000 T. CORRIOLU APVD/APPROUVE 22NOV2000 Y. PETRONIN | | NAME TITRE HEADERS HEI3, DOUBLE ROW, RIGHT ANGLE | |
| DIMENSIONS: mm | | TOLERANCES UNLESS OTHERWISE SPECIFIED: TOLERANCES NON SPECIFIEES (SUIV NB DE DECIMALES) 0 PLC/DEC: ± 1 PLC/DEC: ±0.3 2 PLC/DEC: ± 3 PLC/DEC: ± 4 PLC/DEC: ± ANGLES ±5° | | PRODUCT SPEC SPEC. PRODUIT 108-15053 | |
| MATERIAL/MATIERE | | FINISH/FINITION | | SIZE FORMAT CAGE CODE DRAWING NO No PLAN | |
| 4 | | 3 | | A200779C-281743 | |
| CUSTOMER DRAWING /PLAN CLIENT | | UNIQUEMENT POUR REFERENCE | | SCALE ECHELLE 5:1 | |
| | | | | SHEET FEUILLE OF DE REV F1 | |