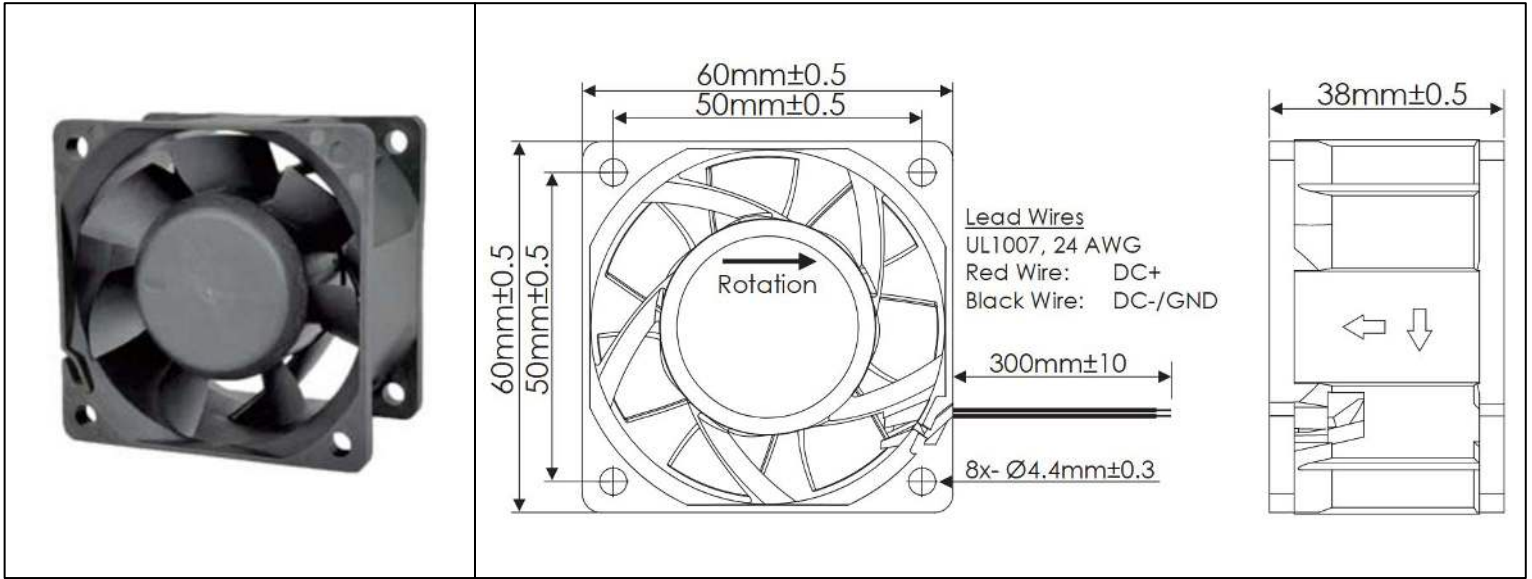


# OD6038 VXC Series



DC Fans - 12, 24, 48V  
60mm x 60mm x 38mm (2.4" x 1.5")



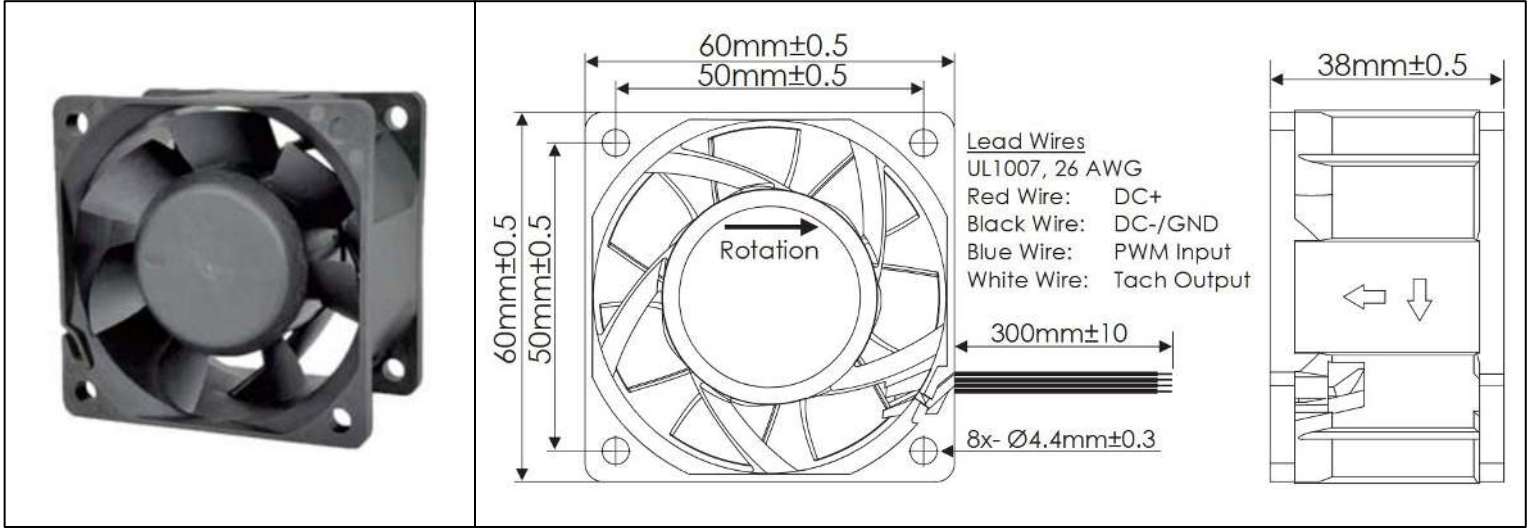
<b>Frame</b>	PBT, UL94 V-0 Plastic	<b>Operating Temperature</b> -20°C ~ +65°C  <b>Storage Temperature</b> -20°C ~ +75°C  <b>Life Expectancy</b> 70,000 Hours (L10 at 40°C)  <b>Available Options</b> Tachometer Output PWM Speed Control Input IP Ratings Other speeds  Weight: 0.19 lbs	
<b>Impeller</b>	PBT, UL94 V-0 Plastic		
<b>Connection</b>	2x Wire Leads, 24 AWG		
<b>Motor</b>	Brushless DC, Auto Cutoff, Auto Restart, Electronically Protected, Polarity Protected		
<b>Bearing System</b>	Ball Bearings		
<b>Dielectric Strength</b>	500VDC/min, <1mA		
<b>Insulation Resistance</b>	≥10MΩ @ 500 VDC		

Part Number	Rated Voltage (Volts DC)	Voltage Range (Volts DC)	Input Power (Watts)	Rated Current (Amps)	Rated Speed (RPM)	Max Airflow (CFM)	Noise Level (dBA)	Max Static Pressure ("H <sub>2</sub> O)
OD6038-12HBVXC	12	9 ~ 13.8	22.4	1.80	11750	67.8	62.4	2.2
OD6038-12MBVXC	12	9 ~ 13.8	15.7	1.28	9080	55.6	57.2	1.5
OD6038-12LBVXC	12	9 ~ 13.8	11.2	0.90	8950	51.3	54.1	1.2
OD6038-24HHVXC	24	16 ~ 26.4	24.0	1.00	13925	78.7	65.1	2.8
OD6038-24HBVXC	24	16 ~ 26.4	21.3	0.87	11750	67.8	62.4	2.2
OD6038-24MBVXC	24	16 ~ 26.4	13.2	0.54	9080	55.6	57.2	1.5
OD6038-24LBVXC	24	16 ~ 26.4	12.4	0.50	8950	51.3	54.1	1.2
OD6038-48HHVXC	48	40 ~ 56.0	24.0	0.50	13925	78.7	65.1	2.8
OD6038-48HBVXC	48	40 ~ 56.0	19.3	0.40	11750	67.8	62.4	2.2
OD6038-48MBVXC	48	40 ~ 56.0	14.5	0.30	9080	55.6	57.2	1.5
OD6038-48LBVXC	48	40 ~ 56.0	12.2	0.25	8950	51.3	54.1	1.2

# OD6038 VXC Series with PWM and Tach

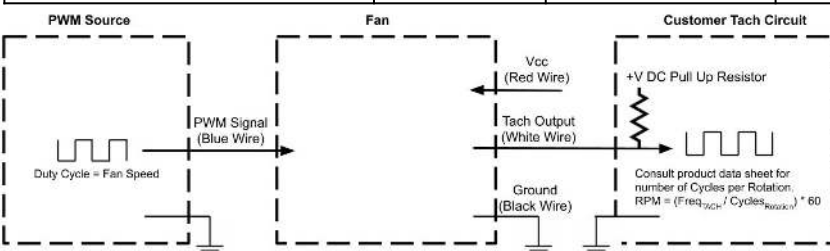


DC Fans - 12, 24, 48V  
60mm x 60mm x 38mm (2.4" x 1.5")



<b>Frame</b>	PBT, UL94 V-0 Plastic	<b>Operating Temperature</b> -20°C ~ +65°C <b>Storage Temperature</b> -20°C ~ +75°C <b>Life Expectancy</b> 70,000 Hours (L10 at 40°C)	
<b>Impeller</b>	PBT, UL94 V-0 Plastic		
<b>Connection</b>	4x Wire Leads, 26 AWG	<b>Installed Options</b> PWM Speed Control Input Open Collector Tach Output <b>Available Options</b> 5V TTL Tach Output	Weight: 0.19 lbs
<b>Motor</b>	Brushless DC, Auto Cutoff, Auto Restart, Electronically Protected, Polarity Protected		
<b>Bearing System</b>	Ball Bearings		
<b>Dielectric Strength</b>	500VDC/min, <1mA		
<b>Insulation Resistance</b>	≥10MΩ @ 500 VDC		

Part Number	Rated Voltage (Volts DC)	Voltage Range (Volts DC)	Input Power (Watts)	Rated Current (Amps)	Rated Speed (RPM)	Max Airflow (CFM)	Noise Level (dBA)	Max Static Pressure ("H <sub>2</sub> O)
OD6038-12HBVXC10A	12	9 ~ 13.8	22.4	1.80	11750	67.8	62.4	2.2
OD6038-12MBVXC10A	12	9 ~ 13.8	15.7	1.28	9080	55.6	57.2	1.5
OD6038-12LBVXC10A	12	9 ~ 13.8	11.2	0.90	8950	51.3	54.1	1.2
OD6038-24HHVXC10A	24	16 ~ 26.4	24.0	1.00	13925	78.7	65.1	2.8
OD6038-24HBVXC10A	24	16 ~ 26.4	21.3	0.87	11750	67.8	62.4	2.2
OD6038-24MBVXC10A	24	16 ~ 26.4	13.2	0.54	9080	55.6	57.2	1.5
OD6038-24LBVXC10A	24	16 ~ 26.4	12.4	0.50	8950	51.3	54.1	1.2
OD6038-48HHVXC10A	48	40 ~ 56.0	24.0	0.50	13925	78.7	65.1	2.8
OD6038-48HBVXC10A	48	40 ~ 56.0	19.3	0.40	11750	67.8	62.4	2.2
OD6038-48MBVXC10A	48	40 ~ 56.0	14.5	0.30	9080	55.6	57.2	1.5
OD6038-48LBVXC10A	48	40 ~ 56.0	12.2	0.25	8950	51.3	54.1	1.2



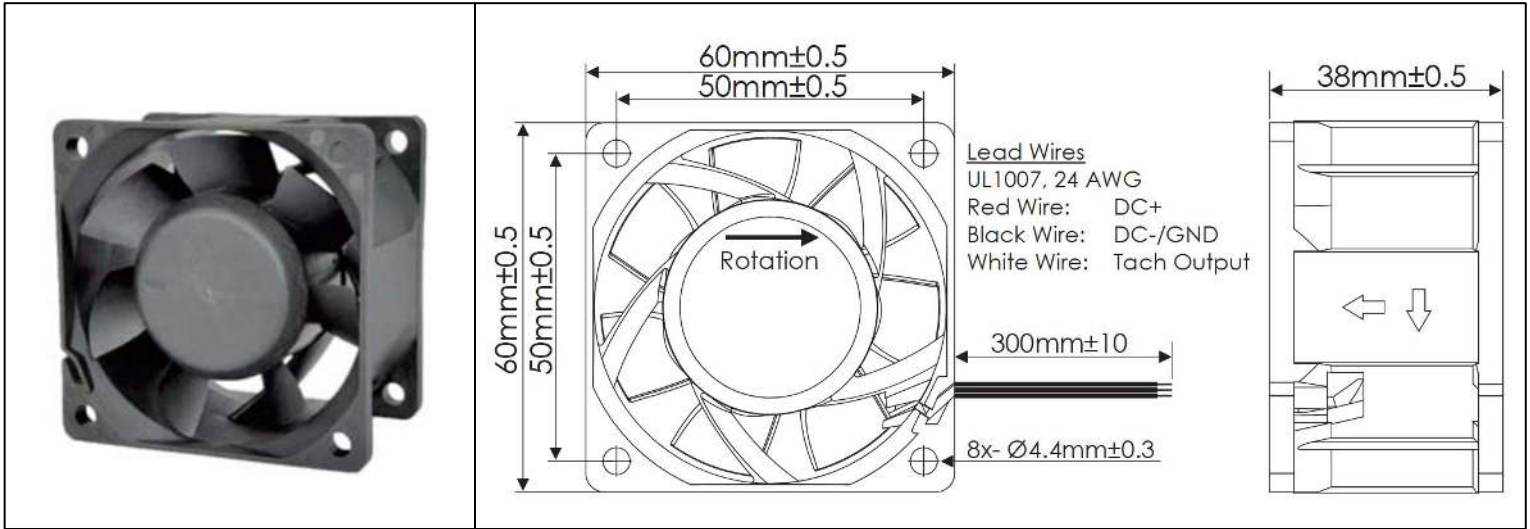
Tach Max Pullup Voltage:  
Tach Max Sink Current:  
Tach Cycles per Rotation:  
PWM Max High Voltage:  
PWM Max Sink Current:  
PWM Frequency Range:  
PWM Typical Frequency:  
RPM at 0% Duty Cycle:  
RPM will be full speed if PWM input is disconnected.  
RPM will be 0 RPM if PWM input is grounded.

Fan Vcc  
5mA  
2  
5V  
5mA  
1KHz-100KHz  
25KHz  
0 RPM

# OD6038 VXC Series with Tach

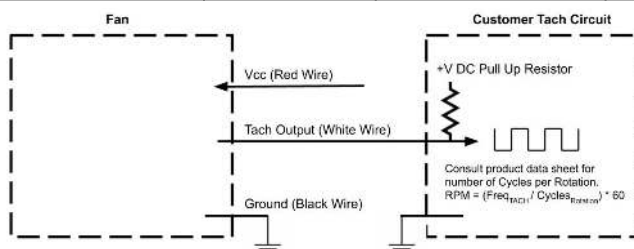


DC Fans - 12, 24, 48V  
60mm x 60mm x 38mm (2.4" x 1.5")



<b>Frame</b>	PBT, UL94 V-0 Plastic	<b>Operating Temperature</b> -20°C ~ +65°C <b>Storage Temperature</b> -20°C ~ +75°C <b>Life Expectancy</b> 70,000 Hours (L10 at 40°C)	<b>Installed Options</b> Open Collector Tach Output	
<b>Impeller</b>	PBT, UL94 V-0 Plastic			
<b>Connection</b>	3x Wire Leads, 24 AWG	<b>Available Options</b> 5V TTL Tach Output	<b>Weight:</b> 0.19 lbs	
<b>Motor</b>	Brushless DC, Auto Cutoff, Auto Restart, Electronically Protected, Polarity Protected			
<b>Bearing System</b>	Ball Bearings			
<b>Dielectric Strength</b>	500VDC/min, <1mA			
<b>Insulation Resistance</b>	≥10MΩ @ 500 VDC			

Part Number	Rated Voltage (Volts DC)	Voltage Range (Volts DC)	Input Power (Watts)	Rated Current (Amps)	Rated Speed (RPM)	Max Airflow (CFM)	Noise Level (dBA)	Max Static Pressure ("H <sub>2</sub> O)
OD6038-12HBVXC01A	12	9 ~ 13.8	22.4	1.80	11750	67.8	62.4	2.2
OD6038-12MBVXC01A	12	9 ~ 13.8	15.7	1.28	9080	55.6	57.2	1.5
OD6038-12LBVXC01A	12	9 ~ 13.8	11.2	0.90	8950	51.3	54.1	1.2
OD6038-24HHVXC01A	24	16 ~ 26.4	24.0	1.00	13925	78.7	65.1	2.8
OD6038-24HBVXC01A	24	16 ~ 26.4	21.3	0.87	11750	67.8	62.4	2.2
OD6038-24MBVXC01A	24	16 ~ 26.4	13.2	0.54	9080	55.6	57.2	1.5
OD6038-24LBVXC01A	24	16 ~ 26.4	12.4	0.50	8950	51.3	54.1	1.2
OD6038-48HHVXC01A	48	40 ~ 56.0	24.0	0.50	13925	78.7	65.1	2.8
OD6038-48HBVXC01A	48	40 ~ 56.0	19.3	0.40	11750	67.8	62.4	2.2
OD6038-48MBVXC01A	48	40 ~ 56.0	14.5	0.30	9080	55.6	57.2	1.5
OD6038-48LBVXC01A	48	40 ~ 56.0	12.2	0.25	8950	51.3	54.1	1.2



Tach Max Pullup Voltage:  
Tach Max Sink Current:  
Tach Cycles per Revolution:

Fan Vcc  
5mA  
2