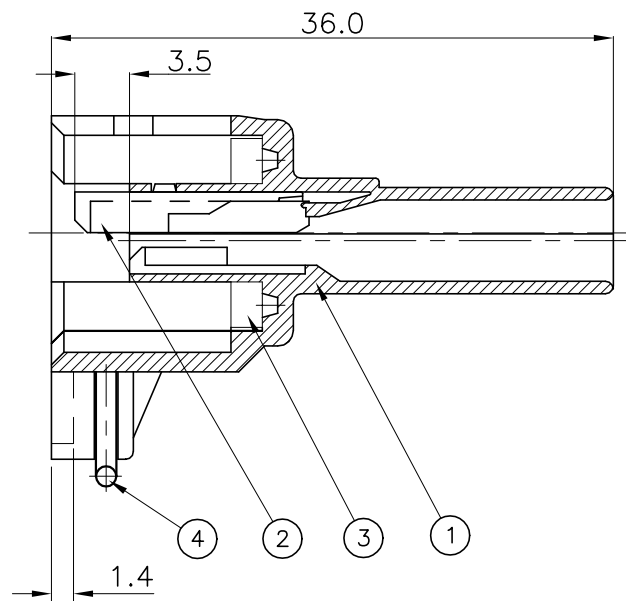
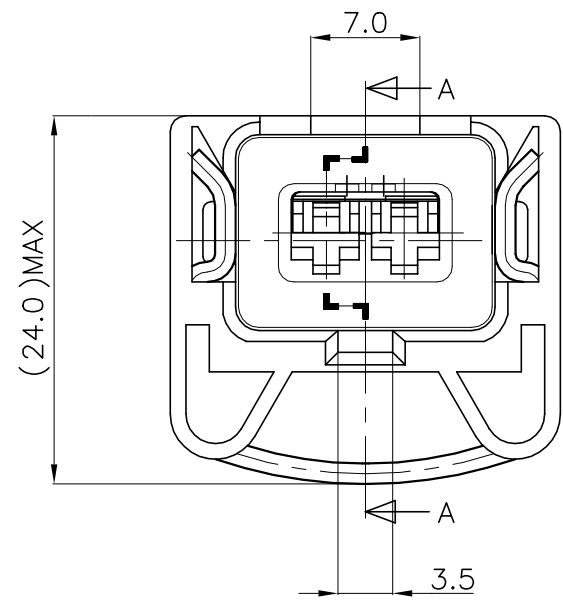
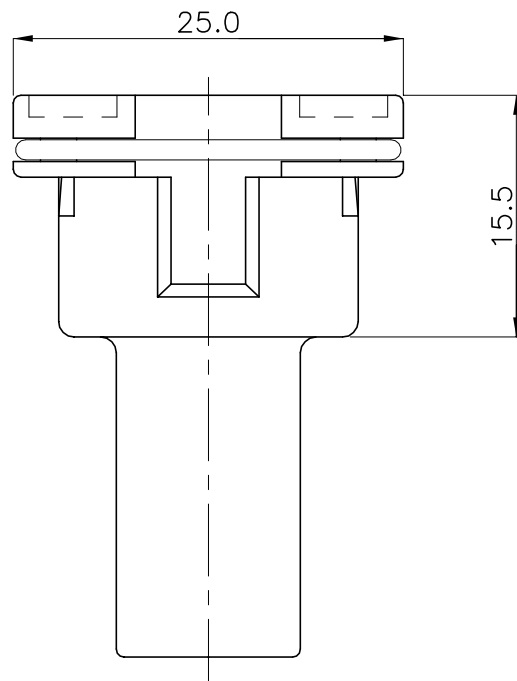


REVISIONS					
P	LTR	DESCRIPTION	DATE	DWN	APVD
	G1	REVISED	ECR-20-002938	31AUG2020	PSJ SPB



SECTION A-A



KEY CODING

(SCALE 1:1)

CODING "A"

CODING "B"

* NOTES *

1. APPLICABLE CONTACT P/NO: 927770 / 927766
2. APPLICABLE WIRE SEAL P/NO: 828904 / 828905 / 368064

NO	COLOR	MATERIAL	DESCRIPTION	QTY					
4		SUS 304	SPRING	1	1	1	1	1	1
3	ORANGE	SILICONE	SEAL RUBBER	1	1	1	1	1	1
2	YELLOW	PBT	SPACER	1	1	1	1	1	1
1	DARK GRAY	PBT-GF30	JPT 2P HSG DG "B"	1					
1	DARK GRAY	PBT-GF30	JPT 2P HSG DG		1				
1	BROWN	PBT-GF30	JPT 2P HSG BR			1			
1	GREEN	PBT-GF30	JPT 2P HSG GR				1		
1	BLUE	PBT-GF30	JPT 2P HSG BL					1	
1	BLACK	PBT-GF30	JPT 2P HSG BK						1

REV CODE	DESCRIPTION	P/N
A	JPT 2P ASS'Y DG	1-85202-3
G	JPT 2P ASS'Y DG	85202-5
G	JPT 2P ASS'Y BR	85202-4
G	JPT 2P ASS'Y GR	85202-3
G	JPT 2P ASS'Y BL	85202-2
G	JPT 2P ASS'Y BK	85202-1

TOLERANCES UNLESS OTHERWISE SPECIFIED:
 0<XX<10 ± 0.2
 10<XX<30 ± 0.25
 30<XX<100 ± 0.3
 ANGLES ± 3'

THIS DRAWING IS A CONTROLLED DOCUMENT.

DIMENSIONS: mm	TOLERANCES UNLESS OTHERWISE SPECIFIED:	DWN IS WOO	TE Connectivity NAME: JPT 2P HSG ASS'Y (STANDARD)			
	0 PLC ± -	CHK KT LIM				
	1 PLC ± -	APVD HG CHO				
	2 PLC ± -	PRODUCT SPEC 108-61000				
MATERIAL -	FINISH -	APPLICATION SPEC 114-18018	SIZE A3	CAGE CODE 00779	DRAWING NO C-85202	RESTRICTED TO -
CUSTOMER DRAWING			SCALE FREE	SHEET 1 of 1	REV G1	