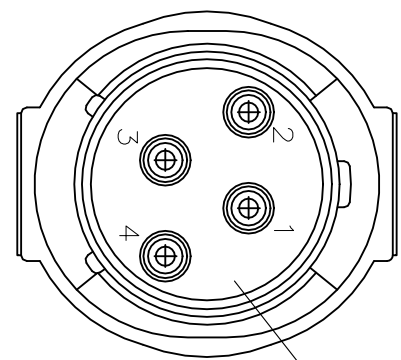
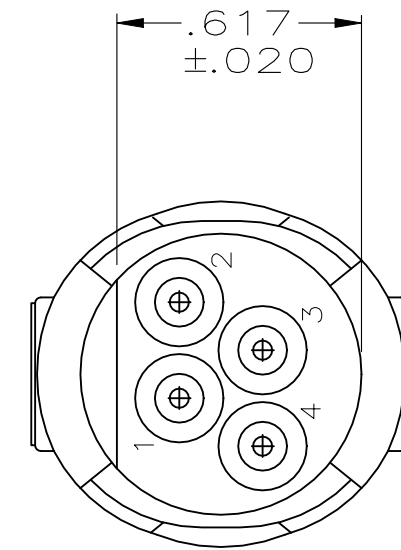
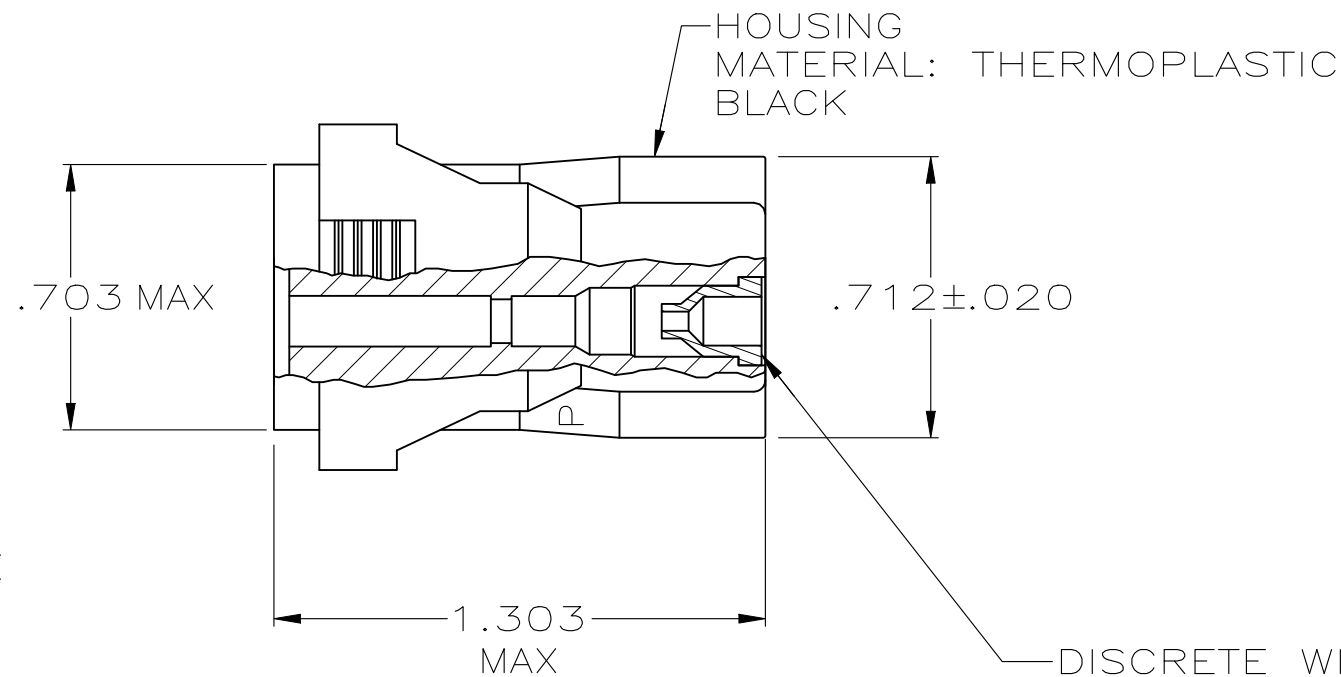


REVISIONS					
P	LTR	DESCRIPTION	DATE	DWN	APVD
	H	PER PCN E-20-018081	10MAR2021	SCK	



MATING FACE



DISCRETE WIRE SEALS MATERIAL: ELASTOMER BLACK

1. WIRE INSULATION SEALING RANGE .070-.130 DIA.
2. THIN MEMBRANE PERMISSIBLE ON SMALL DIAMETER OF WIRE SEALS.

207571-1
PART NUMBER

THIS DRAWING IS A CONTROLLED DOCUMENT.		DWN J GALLUCCI BG 8-16-90	STE TE Connectivity			
DIMENSIONS: INCHES		CHK -				NAME
TOLERANCES UNLESS OTHERWISE SPECIFIED:		APVD -	PLUG, 4 POSITION, STANDARD CIRCULAR SEALED CONNECTOR			
0 PLC ± -		PRODUCT SPEC -				
1 PLC ± -		APPLICATION SPEC -	SIZE	CAGE CODE	DRAWING NO	RESTRICTED TO
2 PLC ± -			A3	00779	C-207571	-
3 PLC ± -			CUSTOMER DRAWING			
4 PLC ± -			SCALE	SHEET	REV	
ANGLES ± -			2:1	1 OF 1	H	
FINISH -		WEIGHT 0.000000				
MATERIAL SEE CALLOUT						