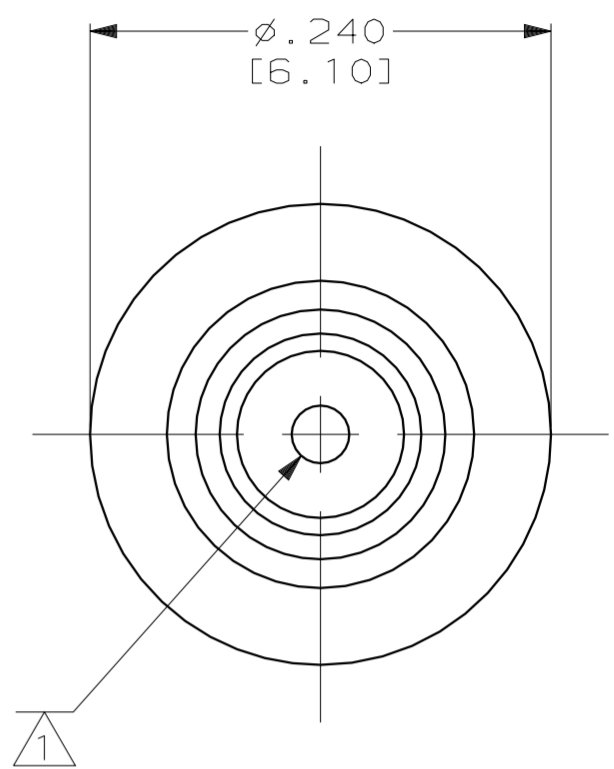
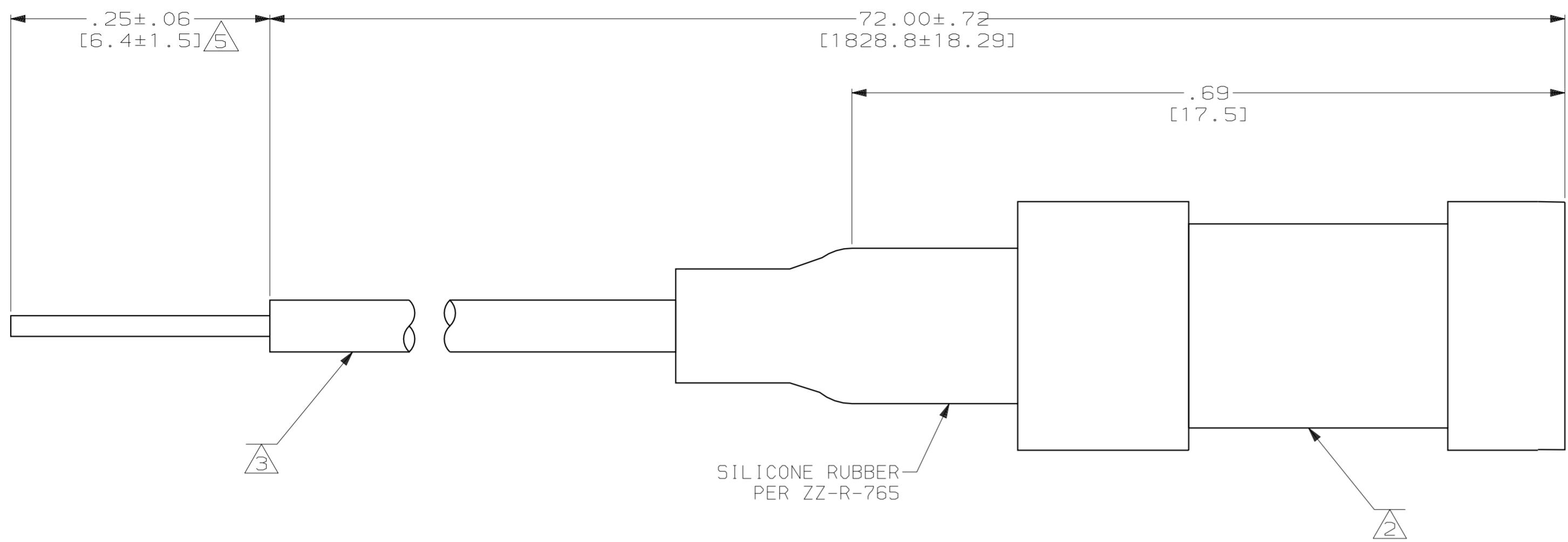


LOC	DIST	P	F	ZONE	LTR	DESCRIPTION	DATE	APPD
DF	50				E	REACTIVATE;OH14-0329-05 CT	7-21-05	DE



- 1 SIZE 22 PIN CONTACT: .030 [0.76] DIA  
MAT'L: BRASS PER QQ-B-626.
- 2 RECEPTACLE HOUSING:  
MAT'L: GLASS FILLED POLYETHERIMIDE RESIN.
- 3 CONDUCTOR:  
24 (19/36) AWG SILVER PLATED COPPER  
INSULATION: SILICONE COATED FEP;  $\phi .060 \pm .005$  [1.52 ± 0.13]
- 4. OPERATING VOLTAGE: 12 KVDC AT 70,000 FT. ALTITUDE.  
TEST VOLTAGE: 18 KVDC AT 70,000 FT. ALTITUDE.
- 5 PIGTAIL IS SOLDER DIPPED.

448658-1  
PART NO.

DO NOT SCALE PRINT. UNLESS SPECIFIED DIMENSIONS IN INCHES [mm] TOLERANCES ON : 2 PLC DEC ± .01 [0.3] 3 PLC DEC ± .005 [0.13] ANGLES ± -	DR 8-17-98 C.C.THOMAS	AMP Incorporated Harrisburg, PA 17105-3608	
	CHK 8-17-98 D.EABY		
MATERIAL SEE CALLOUTS	APPD 8-17-98 D.EABY	NAME RCPT ASSY, MICRO-MINIATURE, 240 SERIES, LGH	
FINISH SEE CALLOUTS	APPD 8-17-98 C.C.THOMAS	SIZE C 00779	DRAWING NO C-448658
	PRODUCT SPEC -	SCALE 10:1	SHEET 1 OF 1
	APPLICATION SPEC -		
	WEIGHT -		

THIS DRAWING IS A CONTROLLED DOCUMENT FOR AMP INCORPORATED. IT IS SUBJECT TO CHANGE AND THE CONTROLLING ENGINEERING ORGANIZATION SHOULD BE CONTACTED FOR THE LATEST REVISION.