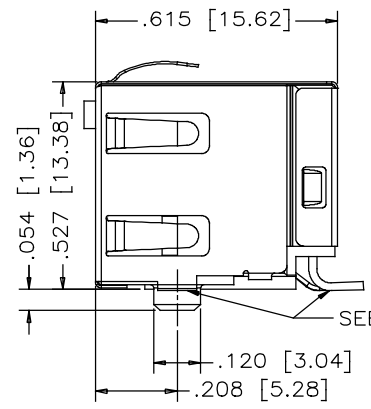
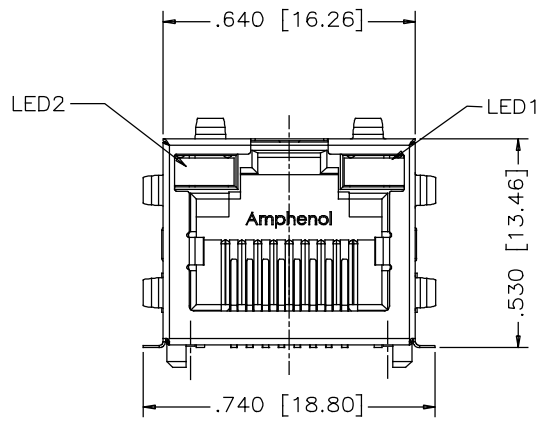
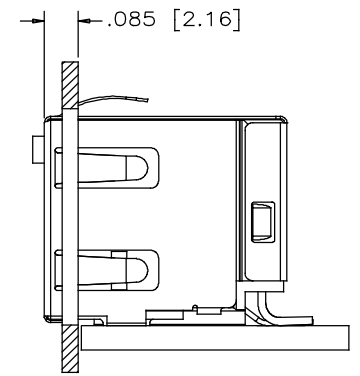
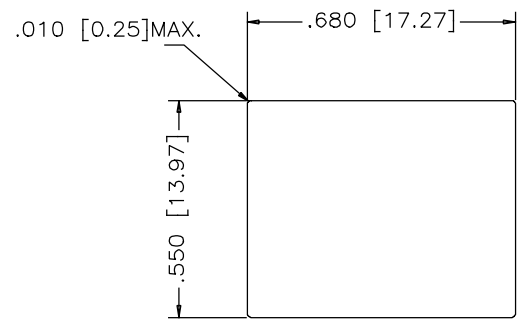
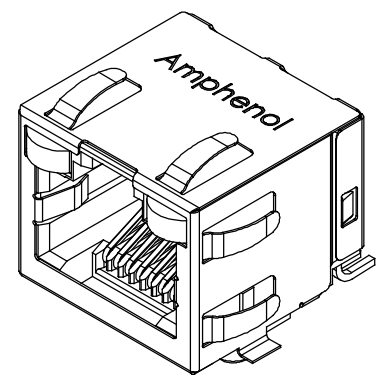
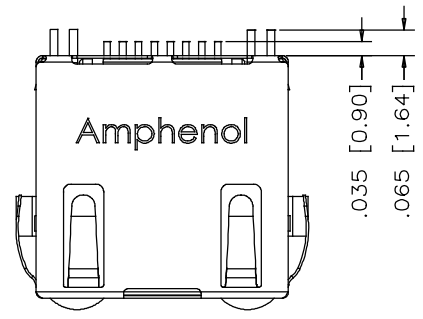
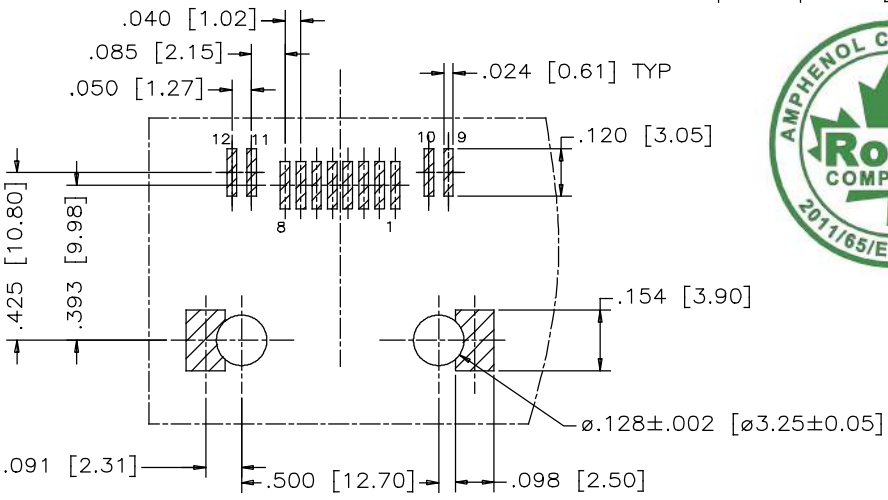
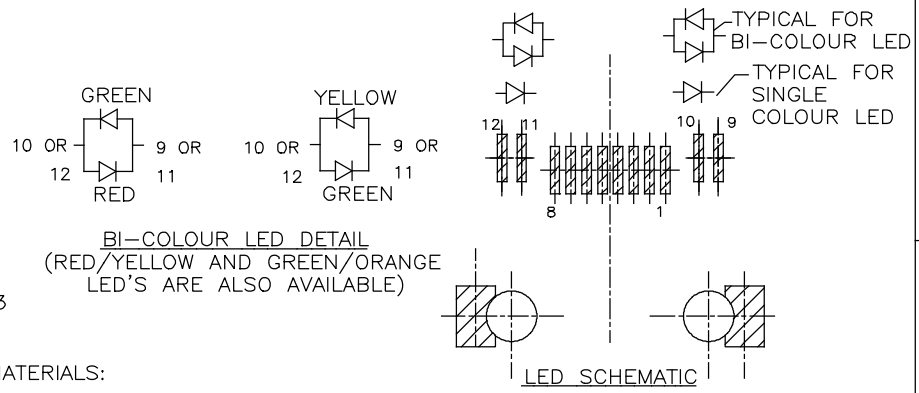


REVISIONS			
REV	DESCRIPTION, ECN, EAR NO.	DATE	APP'D
A	PROPOSAL	JUN 23/14	L.CHAN
B	ADD NEW LED COLOUR OPTION PER EAR# RJ17177	OCT 09/17	L.CHAN



RECOMMENDED PANEL CUT-OUT



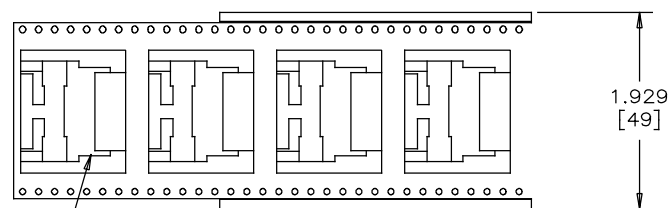
- 1, MATERIALS:
- HOUSING: HIGH TEMPERATURE THERMOPLASTIC
FLAMMABILITY RATING UL 94V-0
COLOR: BLACK
 - CONTACTS: PHOSPHOR BRONZE
 - PLATING: GOLD PLATING ON MATING SURFACE REFER TO AMPHENOL PART SYSTEM.
50 u" [1.27 MICRONS] MIN NICKEL UNDERPLATE.
100 u" [2.54 MICRONS] MIN MATTE-TIN OR GOLD FLASH ON CONTACT TAILS.
 - SHIELD: STAINLESS STEEL WITH MATTE TIN PLATING.
- 2, ALLOW 0.6% LED DEFECT RATE AFTER 260° IR REFLOW PROCESS
- 3, COPLANARITY SPECIFICATION:
THE MAXIMUM GAP BETWEEN ALL TERMINAL TAILS IS 0.10 [0.004]
- PART NUMBER: RJCSE-X38X-01X
- GOLD PLATING OPTION
 2 = 6u" 4 = 30u"
 3 = 15u" 5 = 50u"
 REFER TO LED OPTIONS DRAWING

RECOMMENDED P.C.B. LAYOUT
(COMPONENT SIDE OF BOARD)

UNLESS SPECIFIED OTHERWISE		DRAWN G.HSIA	JUN23/14	Amphenol Canada Corp. www.amphenolcanada.com
PRIMARY UNITS INCHES	CHECKED			
SECONDARY MILLIMETERS	M.E. APP'D			SINGLE PORT SURFACE MOUNT JACK 8 POSITION, 8 CONTACTS, SHIELDED, WITH LED OPTION- RoHS COMPLIANT
REFERENCE IN PARENTHESES	Q.A. APP'D			
1 DECIMAL PLACE	DWG APP'D L.CHAN	JUN23/14		DWG NO.
2 DECIMAL PLACES	ENG. REL NO.			P-RJCSE-X38X-01X
3 DECIMAL PLACES ±0.015	REF.			
ANGULAR DEGREES	THIRD ANGLE PROJECTION			REV B
	DO NOT SCALE DRAWING			CODE ID NO. 03554 DWG SIZE SCALE SHEET 1 OF 2

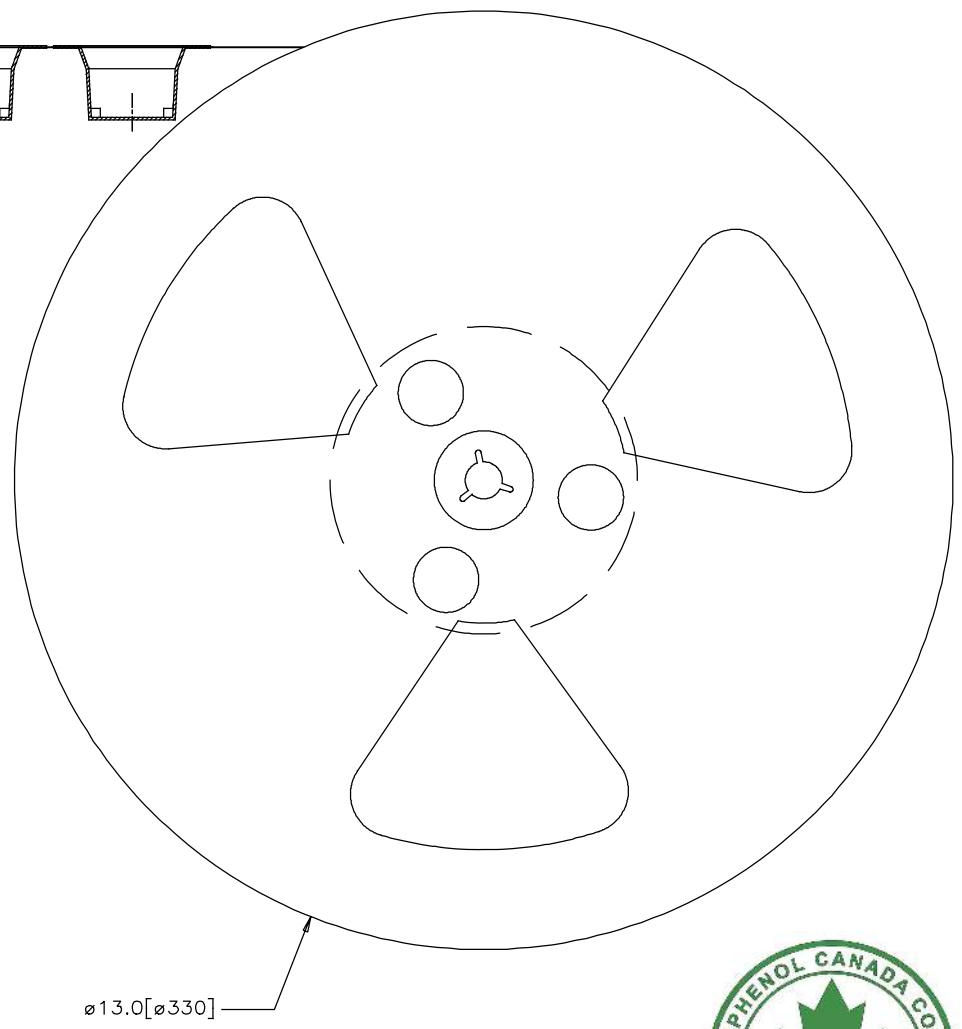
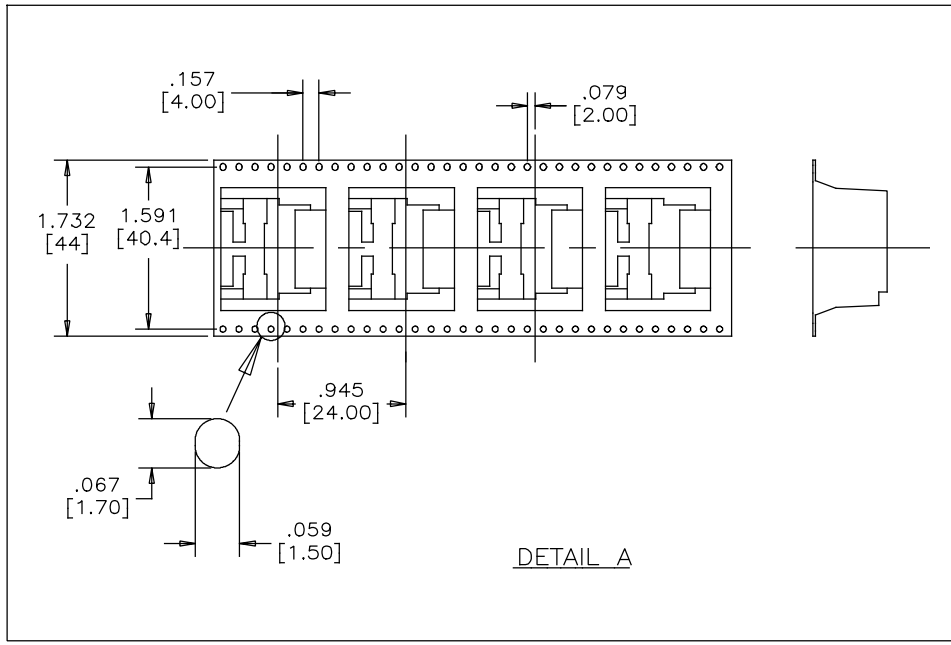
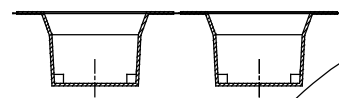
REVISIONS			
REV	DESCRIPTION, ECN, EAR NO.	DATE	APP'D
A	PROPOSAL	JUN 23/14	L.CHAN
B	ADD NEW LED COLOUR OPTION PER EAR# RJ17177	OCT 09/17	L.CHAN

← DIRECTION OF CONNECTOR LOADED INTO MACHINE.
LEADS FACING FRONT SIDE



TOP VIEW
(COVER TAPE NOT SHOWN)

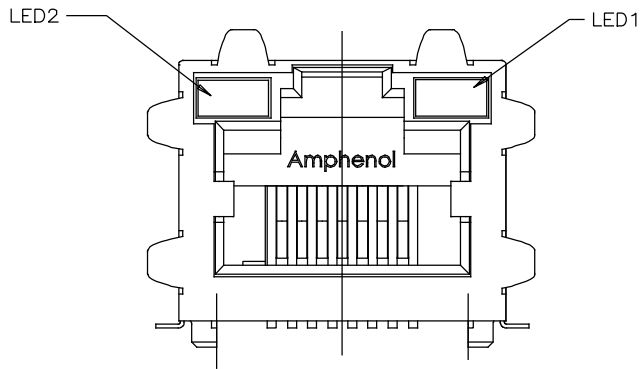
SEE DETAIL 'A'



- PACKAGING NOTES:
1. ONE REEL SHOULD HOLD 150 CONNECTORS.
 2. 15 EMPTY CAVITIES FOR CARRIER TAPE LEADER & 10 EMPTY CAVITIES FOR CARRIER TAPE TRAILER.
 3. A FULLY LOADED CARTON SHOULD CONTAIN 5 REELS OF CONNECTORS.

UNLESS SPECIFIED OTHERWISE	DRAWN G.HSIA	JUN23/14
PRIMARY UNITS INCHES	CHECKED	
SECONDARY MILLIMETERS	M.E. APP'D	
REFERENCE IN PARENTHESES	Q.A. APP'D	
	DWG APP'D L.CHAN	JUN23/14
	ENG. REL NO.	
1 DECIMAL PLACE	REF.	
2 DECIMAL PLACES		
3 DECIMAL PLACES ±0.015		
ANGULAR DEGREES ±1.5'		
	THIRD ANGLE PROJECTION	
	DO NOT SCALE DRAWING	

Amphenol Canada Corp. www.amphenolcanada.com	
SINGLE PORT SURFACE MOUNT JACK 8 POSITION, 8 CONTACTS, SHIELDED, WITH LED OPTION- RoHS COMPLIANT	
DWG NO.	P-RJCSE-X38X-01X
CODE ID NO. 03554	DWG SIZE SCALE SHEET 2 OF 2



TYPICAL FOR SINGLE & MULTI-PORT



REVISIONS				
SYM	ZONE	ECN, ERN NO.	DATE	APPRD.
A		PER ECN E07065	MAR14/07	L.CHAN
B		PER ECN E07131	MAY10/07	L.CHAN
C		ADD LED Y OPTION	JUL04/12	L.CHAN
D		ADD NEW ROHS STAMP	DEC28/12	L.CHAN
E		ADD LED R OPTION	JUN25/13	L.CHAN
F		ADD LED H OPTION	JUN25/13	L.CHAN

LED SPECIFICATIONS:
 FORWARD VOLTAGE: 2.1 VOLTS TYP.
 REVERSE VOLTAGE: 5.0 VOLTS MIN.
 LUMINOUS INTENSITY: 0.5 mCd MIN.
 (AT If=2mA)
 STORAGE TEMPERATURE: -20° TO 85° C
 LEAD SOLDERING TEMPERATURE: 260° C
 (5 SEC, 1/16" FROM CASE)
 PLATING ON TAILS: TIN OR TIN/COPPER
 ALLOY OVER SILVER

PRIMARY COLOR FOR BI-COLOR
 LEDS IN STANDARD ANODE/
 CATHODE CONFIGURATION IS:
 RED-GREEN= RED
 RED-YELLOW= RED
 GREEN-YELLOW= GREEN
 GREEN-ORANGE= GREEN

LEGEND

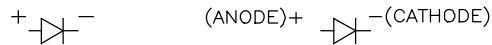
BiC=BI-COLOR LED
 LOWC=LOW CURRENT LED
 YE=YELLOW
 GR=GREEN
 RD=RED
 OR=ORANGE

NOTE:

THE TWO DIGITS PRECEDING THE
 ADDITIONAL LED CODE MUST BE
 USED IN THE PART NUMBER, WHEN
 ORDERING ANY OF THE ADDITIONAL
 LED OPTIONS.

EXAMPLE:

PART NUMBER RJCSE-538X



LED COLOR CODE

CODE	LED 2 (LEFT)	LED 1 (RIGHT)	CODE	LED 2 (LEFT)	LED 1 (RIGHT)	CODE	LED 2 (LEFT)	LED 1 (RIGHT)
0	BLOCKED	BLOCKED	9	GREEN	BLOCKED	J	BiC RD/GR	YELLOW
1	YELLOW	GREEN	A	BiC GR/YE	BiC GR/YE	K	YELLOW	BiC GR/OR
2	BLOCKED	GREEN	B	BiC RD/GR	BiC RD/GR	L	BiC GR/YE	RED
3	YELLOW	BLOCKED	C	BiC RD/GR	BiC GR/YE	M	RED	YELLOW
4	GREEN	YELLOW	D	GREEN	BiC GR/YE	P	GREEN	BiC RD/GR
5	GREEN	GREEN	E	YELLOW	BiC GR/YE	R	BiC GR/OR	GREEN
6	YELLOW	YELLOW	F	BiC GR/YE	YELLOW	T	RED	RED
7	RED	GREEN	G	BiC GR/OR	BiC GR/OR	V	BiC RD/GR	GREEN
8	GREEN	RED	H	BiC GR/YE	GREEN	W	ADDITIONAL	OPTIONS

EXAMPLE OF ADDITIONAL LED OPTIONS:

PART NUMBER RJCSE-538W-01Y

↑ ADDITIONAL LED COLOR CODE
 ↑ DENOTES ADDITIONAL LED OPTIONS TO BE USED

CODE	LED 2 (LEFT)	LED 1 (RIGHT)	CODE	LED 2 (LEFT)	LED 1 (RIGHT)	CODE	LED 2 (LEFT)	LED 1 (RIGHT)
0	DO NOT USE		5	BLOCKED	YELLOW	A	LOWC YE	LOWC YE
1	RED	BLOCKED	6	RED	BiC RD/GR	B	LOWC YE	LOWC GR
2	BiC GR/OR	YELLOW	7	BLOCKED	BiC RD/GR	C	LOWC GR	LOWC YE
3	YELLOW	RED	8	BiC RD/GR	BLOCKED	D	LOWC GR	LOWC GR
4	BLOCKED	RED	9	BiC GR/YE	BLOCKED	M	LOWC RD	LOWC YE
						E	GREEN	ORANGE
						F	ORANGE	GREEN
						G	BiC OR/GR	BiC OR/GR
						R	BiC GR/RD	BiC GR/RD
						H	BiC YI/GR	BiC YI/GR

DRAWN J.OUYANG	DATE MAR14/07
DESIGNED	
CHECKED CHIGOW.XU	MAR14/07
I. E. APPRD. YM.Lee	MAR14/07
Q. A. APPRD.	
DWG. APPRD.	
ENG. REL. NO. ECN E07065	
REF. EAR A070503	
DIMENSIONS ARE IN INCHES [mm]	CODE ID. NO. 03554

Amphenol Canada Corp.	
TITLE LED OPTIONS FOR RJCSE, SINGLE OR MULTI-PORT CONNECTORS - RoHS COMPLIANT	
DWG. DRAWING NO. P-RJCSE-LEDS	REV. F
SCALE	WT. _____ SURF. _____ SHEET 1 OF 1

THIS DOCUMENT CONTAINS PROPRIETARY INFORMATION AND SUCH INFORMATION MAY NOT BE DISCLOSED TO OTHERS FOR ANY PURPOSE OR USED FOR MANUFACTURING PURPOSES WITHOUT WRITTEN PERMISSION FROM AMPHENOL CANADA CORP.