

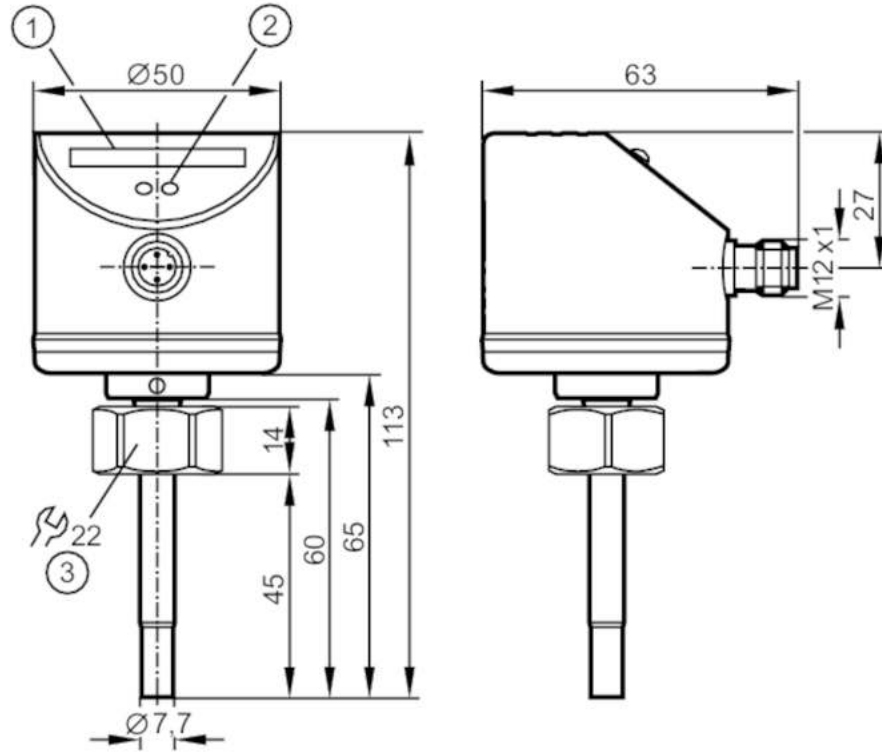
SI5000



Flow monitor

SID10ABBFPGK/US-100

Observe the changed pressure rating.



- 1 LED bar display
- 2 setting pushbutton
- 3 Tightening torque 25 Nm



Product characteristics

| | |
|------------------------------|------------------------------|
| Number of inputs and outputs | Number of digital outputs: 1 |
| Process connection | M18 x 1,5 internal thread |

Application

| | |
|-------------------------|----------------|
| Media | Liquids; Gases |
| Medium temperature [°C] | -25...80 |
| Pressure rating [bar] | 30 |

Liquids

| | |
|-------------------------|----------|
| Medium temperature [°C] | -25...80 |
|-------------------------|----------|

Gases

| | |
|-------------------------|----------|
| Medium temperature [°C] | -25...80 |
|-------------------------|----------|

Electrical data

| | |
|-----------------------------|------------|
| Operating voltage [V] | 19...36 DC |
| Current consumption [mA] | < 60 |
| Protection class | III |
| Reverse polarity protection | yes |
| Power-on delay time [s] | 10 |

SI5000



Flow monitor

SID10ABBFPGK/US-100

| Inputs / outputs | |
|--|--|
| Number of inputs and outputs | Number of digital outputs: 1 |
| Outputs | |
| Total number of outputs | 1 |
| Output signal | switching signal |
| Electrical design | PNP |
| Number of digital outputs | 1 |
| Output function | normally open / normally closed; (parameterisable) |
| Max. voltage drop switching output DC [V] | 2.5 |
| Permanent current rating of switching output DC [mA] | 250 |
| Short-circuit protection | yes |
| Type of short-circuit protection | pulsed |
| Overload protection | yes |
| Measuring/setting range | |
| Probe length L [mm] | 45 |
| Liquids | |
| Setting range [cm/s] | 3...300 |
| Greatest sensitivity [cm/s] | 3...100 |
| Gases | |
| Setting range [cm/s] | 200...3000 |
| Greatest sensitivity [cm/s] | 200...800 |
| Accuracy / deviations | |
| Repeatability [cm/s] | 1...5 |
| Note on repeatability | for water 5...100 cm/s; 25 °C Factory setting |
| Temperature drift [cm/s x 1/K] | 0.1; (for water 5...100 cm/s; 10...70 °C) |
| Temperature gradient [K/min] | 300 |
| Switch point accuracy [cm/s] | ± 2...± 10; (for water 5...100 cm/s; 25 °C; Factory setting) |
| Hysteresis [cm/s] | 2...5; (for water 5...100 cm/s; 25 °C; Factory setting) |
| Response times | |
| Response time [s] | 1...10 |
| Liquids | |
| Response time [s] | 1...10 |
| Gases | |
| Response time [s] | 1...10 |
| Software / programming | |
| Adjustment of the switch point | pushbutton |
| Operating conditions | |
| Ambient temperature [°C] | -25...80 |
| Storage temperature [°C] | -25...100 |

SI5000



Flow monitor

SID10ABBFPKG/US-100

| | |
|------------|-------|
| Protection | IP 67 |
|------------|-------|

Tests / approvals

| | | |
|----------------------|---------------------------|---------------------|
| EMC | EN 61000-4-2 ESD | 4 kV CD / 8 kV AD |
| | EN 61000-4-3 HF radiated | 10 V/m |
| | EN 61000-4-4 Burst | 2 kV |
| | EN 61000-4-6 HF conducted | 10 V |
| Shock resistance | DIN IEC 68-2-27 | 50 g (11 ms) |
| Vibration resistance | DIN EN 60068-2-6 | 20 g (55...2000 Hz) |
| MTTF [years] | | 298 |

Mechanical data

| | |
|--------------------------|---|
| Weight [g] | 246 |
| Dimensions [mm] | M18 x 1.5 |
| Thread designation | M18 x 1.5 |
| Materials | stainless steel (1.4404 / 316L); stainless steel (1.4310 / 301); PC; PBT-GF20; EPDM/X |
| Materials (wetted parts) | stainless steel (1.4404 / 316L); O-ring: FKM 80 Shore A |
| Process connection | M18 x 1,5 internal thread |

Displays / operating elements

| | | |
|---------|----------|------------------------|
| Display | function | 10 x LED, three-colour |
|---------|----------|------------------------|

Remarks

| | |
|---------------|--------|
| Pack quantity | 1 pcs. |
|---------------|--------|

Electrical connection

Connector: 1 x M12; coding: A



Connection

