

High Frequency Ceramic Solutions

2450 MHz Harmonic Low Pass Filter EIA 0603, SMD

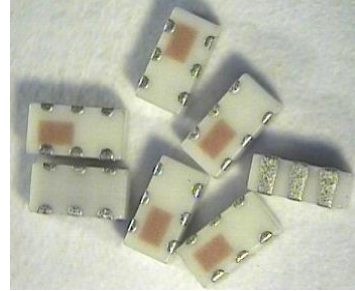
P/N 2450LP14B100

Detail Specification: 10/14/2019

Page 1 of 3

General Specifications

Frequency (MHz)	2400 - 2500
Insertion Loss (dB)	0.50 max.
Attenuation (min.)	35 dB @ 2 x fo
Attenuation (min.)	25 dB @ 3 x fo
Power Capacity	3W max. (CW)
Recommended Storage Conditions (unmounted/unused product on T&R)	+5 ~ +35 °C, Humidity 45~75%RH
Operating Temperature	-40 to +85°C
Storage Temperature	-40 to +85°C

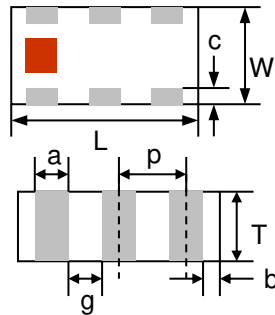


Part Number Explanation

P/N Suffix	Packing Style	Bulk	Suffix = S	2450LP14B100S
		T & R	Suffix = T	2450LP14B100T (Reel Size: 4000pcs)
	Termination style	100% Tin	Suffix = None	2450LP14B100(T/S)
	50Ω SMA Connector Eval Board		2450LP14B100-EB-SMA (orderable p/n)	

Mechanical Dimensions

	In	mm
L	0.063 ± 0.004	1.60 ± 0.10
W	0.031 ± 0.004	0.80 ± 0.10
T	0.024 ± 0.004	0.60 ± 0.10
a	0.008 ± 0.004	0.20 ± 0.10
b	0.008 +.004/-.006	0.20 +0.1/-0.15
c	0.006 ± 0.004	0.15 ± 0.10
g	0.012 ± 0.004	0.30 ± 0.10
p	0.020 ± 0.002	0.50 ± 0.05



Terminal Configuration

No.	Function	No.	Function
1	GND	4	GND
2	IN/OUT	5	IN/OUT
3	GND	6	GND

Mounting Considerations

- Solder Resist
- Land
- Through-hole (∅0.35)
- If DC Blocking is required, use a 10-12pF capacitor in the I/Os

* Trace must be designed to a 50Ω characteristic impedance based on PCB material and thickness.

Want the layout file or need us to revise your layout to make sure is correct? Send us a message at:

<https://www.johansontechnology.com/ask-a-question>

Johanson Technology, Inc. reserves the right to make design changes without notice.
All sales are subject to Johanson Technology, Inc. terms and conditions.



<https://www.johansontechnology.com>

4001 Calle Tecate • Camarillo, CA 93012 • TEL 805.389.1166 FAX 805.389.1821

Ver. 3.2

2019 Johanson Technology, Inc. All Rights Reserved

High Frequency Ceramic Solutions

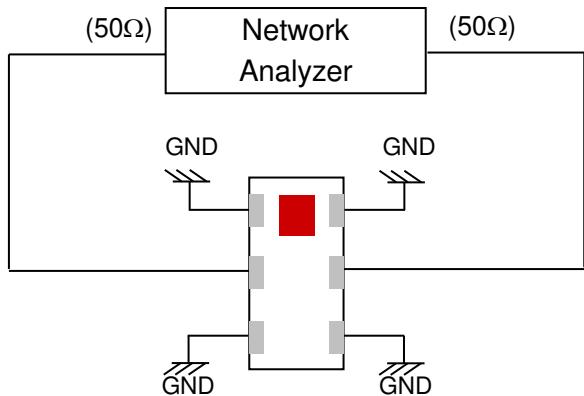
2450 MHz Harmonic Low Pass Filter EIA 0603, SMD

P/N 2450LP14B100

Detail Specification: 10/14/2019

Page 2 of 3

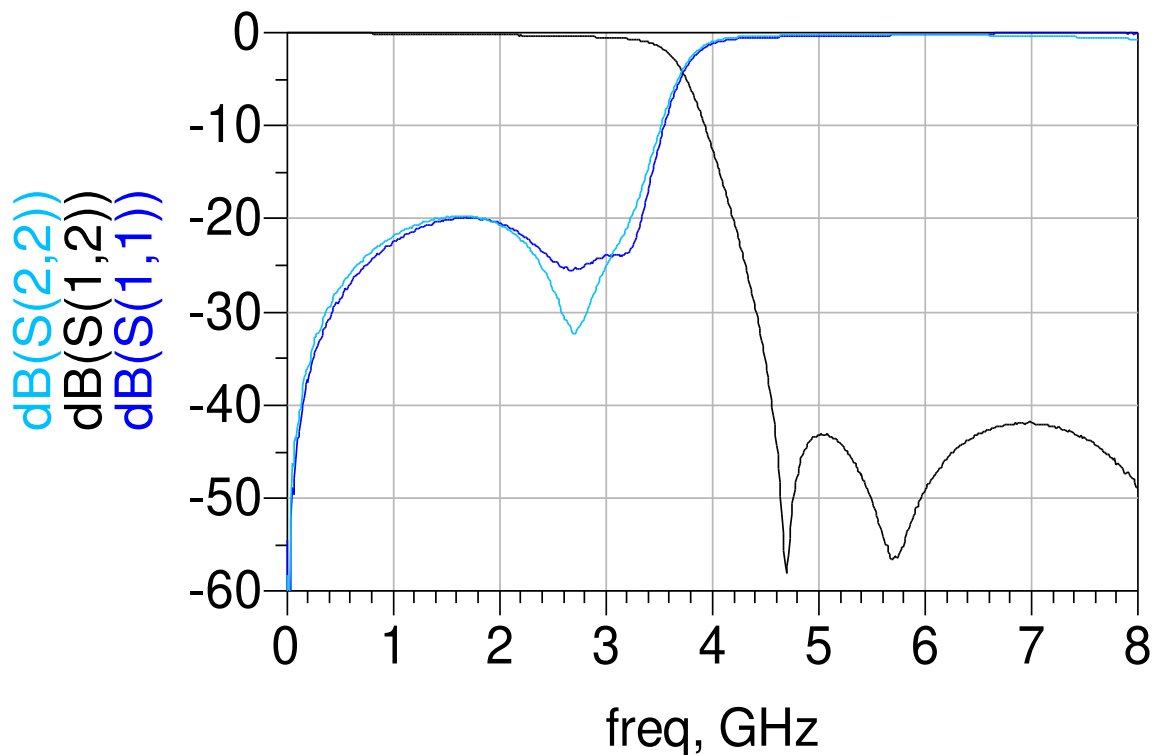
Measuring Diagram



Click here Order the SMA-ready Evaluation Board p/n 2450LP14B100-EB-SMA:

<https://www.johansontechnology.com/request-a-sample>

Typical Electrical Performance (T=25°C)



Johanson Technology, Inc. reserves the right to make design changes without notice.
All sales are subject to Johanson Technology, Inc. terms and conditions.

High Frequency Ceramic Solutions

2450 MHz Harmonic Low Pass Filter EIA 0603, SMD

P/N 2450LP14B100

Detail Specification: 10/14/2019

Page 3 of 3

<https://www.johansontechnology.com/tape-reel-packaging>

Soldering Information

<https://www.johansontechnology.com/ipcsoldering-profile>

RoHS Compliance

<https://www.johansontechnology.com/rohs-compliance>

MSL Info

<https://www.johansontechnology.com/msl-rating>

To Download Measured S-parameters for Evaluation and Simulation:

<https://www.johansontechnology.com/low-pass-filters>

For layout review, s-params, etc., please contact our Applications Team at:

<https://www.johansontechnology.com/ask-a-question>

Mini SMD Chip Antennas at:

<https://www.johansontechnology.com/antennas>

Johanson Technology, Inc. reserves the right to make design changes without notice.
All sales are subject to Johanson Technology, Inc. terms and conditions.



<https://www.johansontechnology.com>

4001 Calle Tecate • Camarillo, CA 93012 • TEL 805.389.1166 FAX 805.389.1821

Ver. 3.2

2019 Johanson Technology, Inc. All Rights Reserved