

THIS DRAWING IS UNPUBLISHED.

RELEASED FOR PUBLICATION

© COPYRIGHT 20

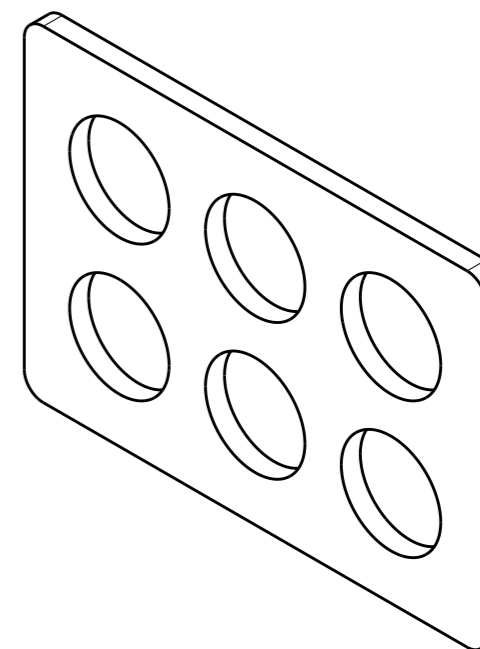
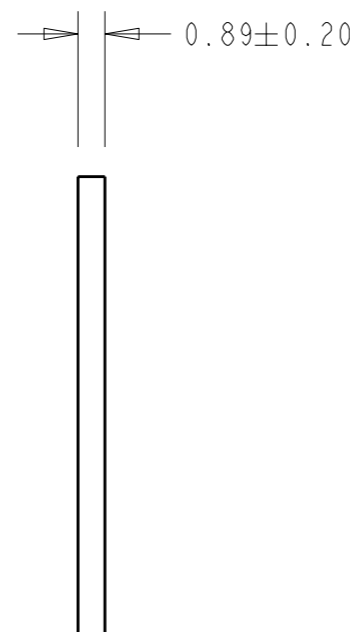
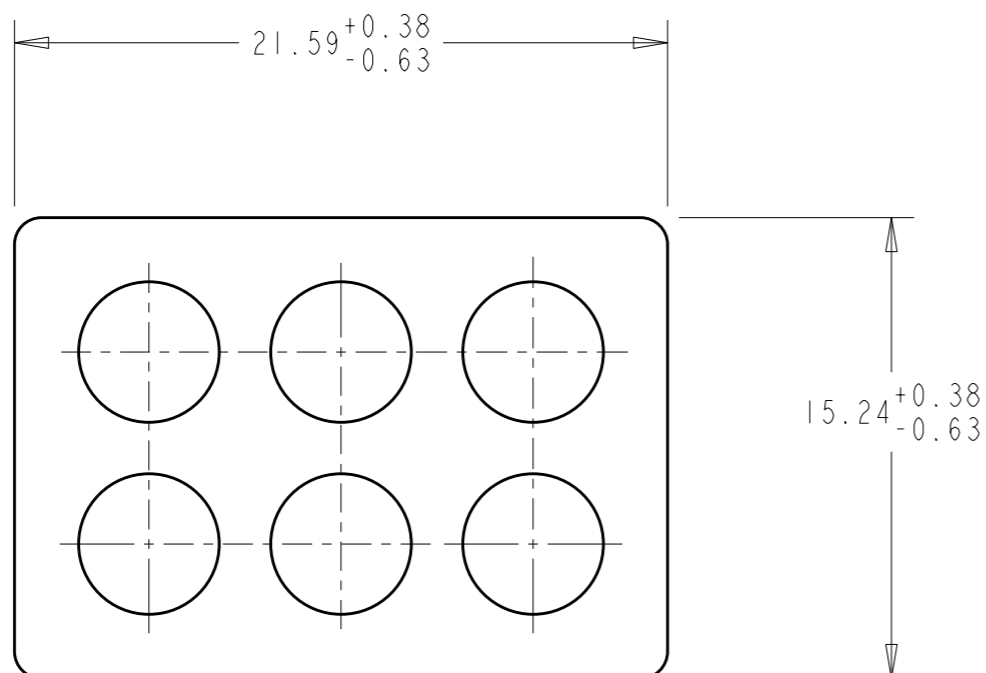
ALL RIGHTS RESERVED.

LOC CM DIST 45

REVISIONS

P	LTR	DESCRIPTION	DATE	DWN	APVD
	A	RELEASED PER ECR 11-024180	02DEC11	JR	TM

1 MATERIAL: CLOSED CELL SILICON FOAM, BLACK  
 2. SUPPLIED ON MYLAR TAPE.



2029383-1  
PART NUMBER

THIS DRAWING IS A CONTROLLED DOCUMENT.

DWN RAGHAVENDRA 07JUL2011

CHK THOMAS MICHIELUTTI 07JUL2011

APVD THOMAS MICHIELUTTI 07JUL2011

PRODUCT SPEC

APPLICATION SPEC

WEIGHT

CUSTOMER DRAWING

**STE** TE Connectivity

NAME FRONT2REAR SPACER,  
6 CIRCUIT,  
UNIVERSAL MATE-N-LOK-11

SIZE A3 CAGE CODE 00779 DRAWING NO C-2029383 RESTRICTED TO

SCALE 4: SHEET OF REV A

**METRIC**

DIMENSIONS: mm		TOLERANCES UNLESS OTHERWISE SPECIFIED:	
	0 PLC ±-	1 PLC ±-	±-
	2 PLC ±0.51	3 PLC ±-	±-
	4 PLC ±-	ANGLES ±-	±-
MATERIAL	FINISH	-	