

D **X X** **P** **1 3** **A** **6** **X X** **1 2** **L F**

SERIES

NO.OF CONTACTS

09,15,25,37

TYPE OF CONTACTS

P-PIN

TYPE OF TERMINATION

13-ANGLED SPILL

PITCH 2.54

FOOT PRINT 10.40 EUROPE

HEIGHT OF TERMINATION

A-2.00mm COMPATIBLE FOR 1.6mm PCB

RoHS INFORMATIONS

"This LF product meets European Union Directives and other country regulations as described in GS-22-008"

The housing will withstand exposure to 260°C peak temperature for 30 seconds in a convection,infra-red or vapor reflow oven solder application.

Packaging as per GS-14-920

PRODUCT SPECIFICATION

See :- GS-12-433

PACKAGING SPECIFICATION

See :- GS-14-1139

SEE NOTE RoHS

PACKAGING SPECIFICATION

12- TAPE AND REEL PACKAGING

MOUNTING OPTIONS

RV->LIF METAL PEG+F.SCREW LOCK UNC 4 40+METAL BRACKET

RL->LIF METAL PEG+ INSERT M3+METAL BRACKET

RX->LIF METAL PEG+ INSERT UNC 4-40 +METAL BRACKET

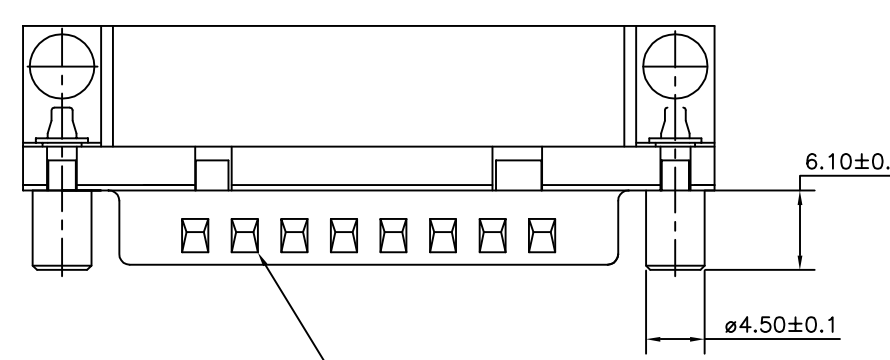
PLATING

6-500 Mating/Un-mating performance

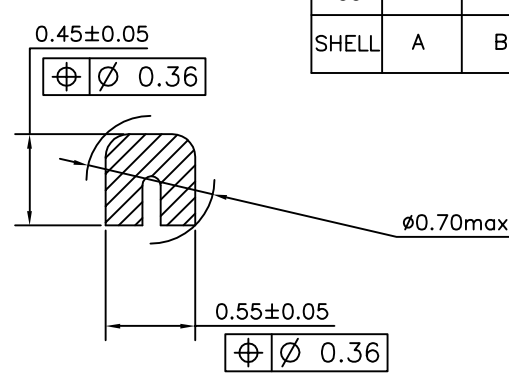
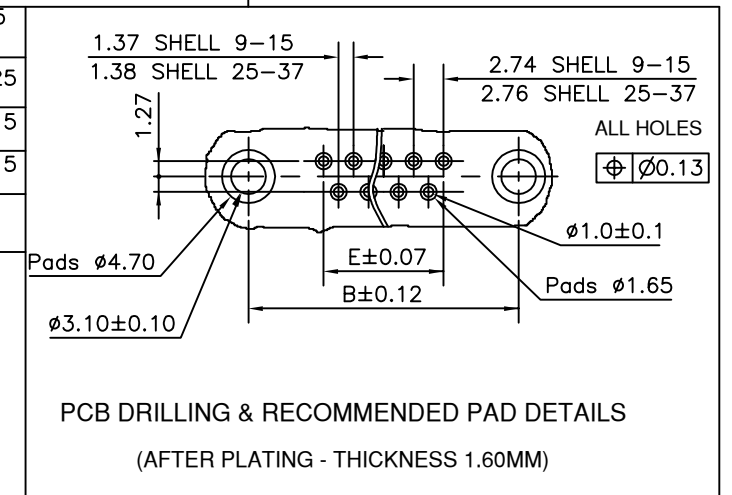


Copyright FCI

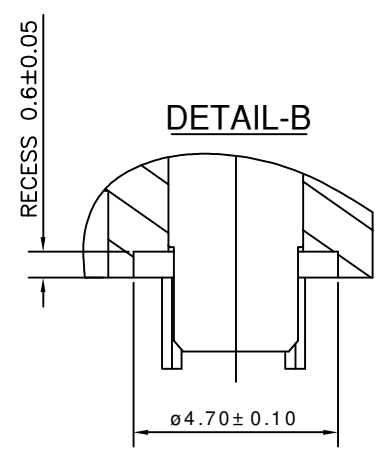
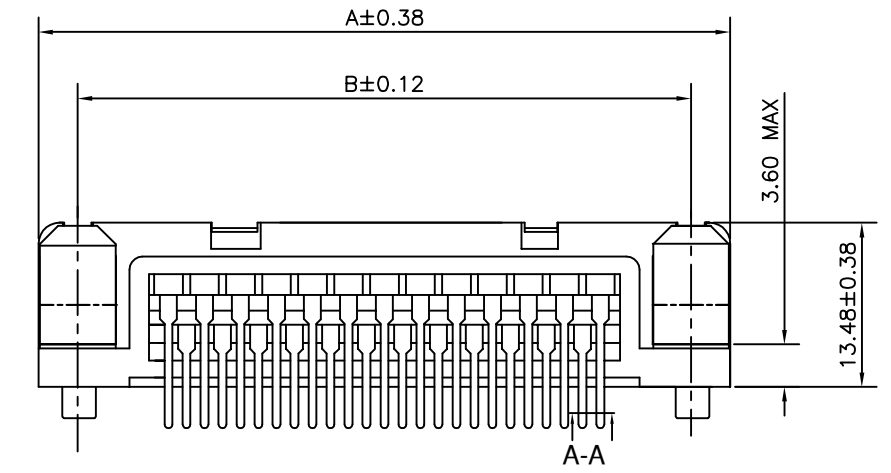
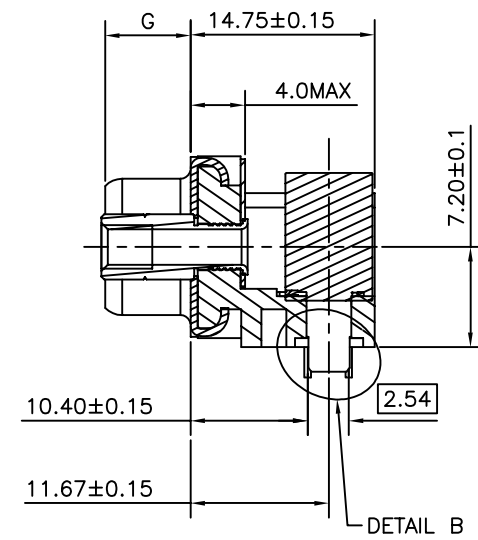
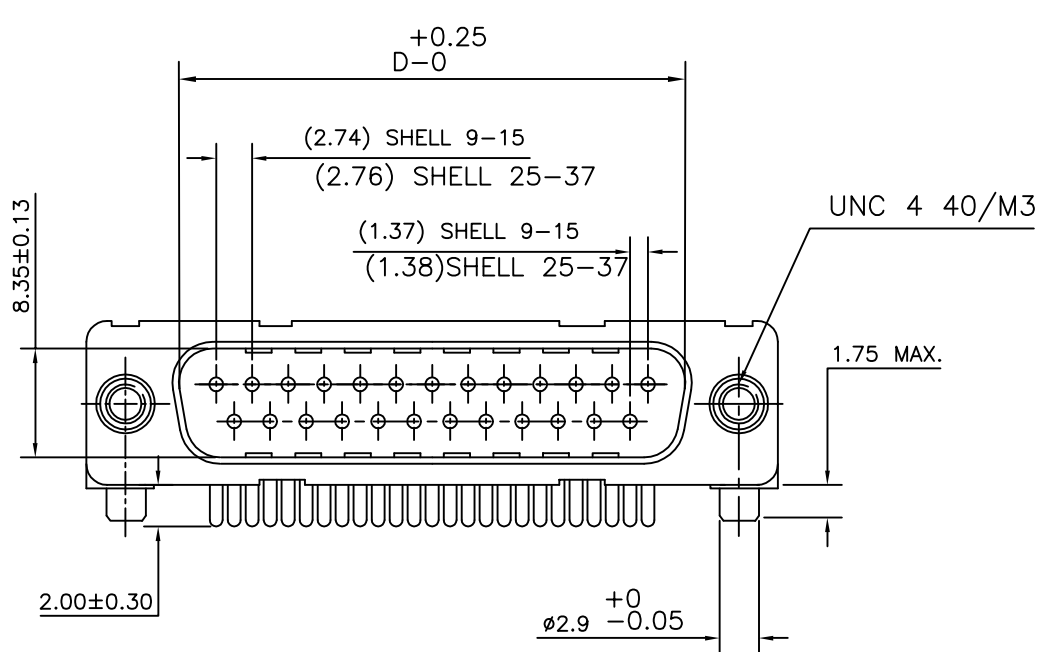
mat'l. code SEE.TECH.SPEC				surface ISO 1302 ✓		tolerance ISO 406 ISO 1101		projection MM		product family DELTA-D													
ltr				ecn no		dr		date		tolerances unless otherwise specified		title DELTA-D A/S MALE PIP CONNECTOR EUROPE VERSION											
A				107-0167		AS		2007-12-04		angles		linear		.00±0.1		MM		scale -					
B				107-0175		AS		2008-12-23		0°±1°				.000±.00X									
C				109-0162		AS		2009-08-19		dr		ANISHSALAM		2007-12-04		FCI		dwg no		sheet 1 of 2		size 5	
										engr		ANISHSALAM		2009-08-19				G DD- 0104		A3			
										chr		ANISHSALAM		2009-08-19									
										appd		BUJUK.PAUL		2009-08-19									
sheet index		revision sheet		C		C																	
		1		2																			



	37	69.32	63.50	55.30	49.68	5.70	+0.25 -0
	25	53.03	47.04	38.84	33.12	5.70	+0.25 -0
	15	39.14	33.32	25.12	19.18	5.90	+0.15 -0
	09	30.81	24.99	16.79	10.96	5.90	+0.15 -0
SHELL	A	B	D	E	G		



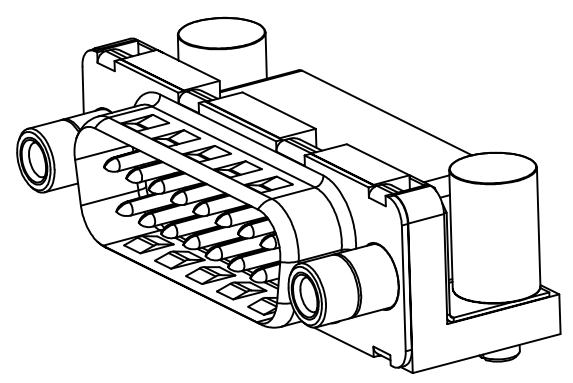
SECTION A - A



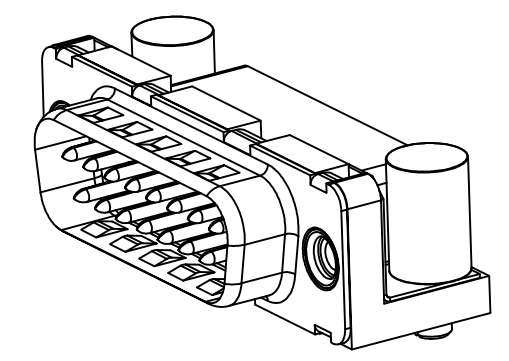
ACCESSORIES DETAILS

TRUE POSITIONING : $\phi \ 0.36$

RV VERSION



RX/RL VERSION



mat'l. code		surface		tolerance		projection		product family	
SEE.TECH.SPEC		ISO 1302		ISO 406 ISO 1101				DELTA-D	
ltr		ecn no		date		tolerances unless otherwise specified		title	
A		107-0167		AS 2007-12-04		angles linear		DELTA-D A/S MALE PIP CONNECTOR	
B		107-0175		AS 2008-12-23		0°±1°		EUROPE VERSION	
C		109-0162		AS 2009-08-19		.00±0.1		dwg no	
						.000±0.00X		sheet 2 of 2	
						scale		size	
						MM		5	
						MM		A3	
						scale		type	
						scale		Product Customer Drawing	
sheet index		revision sheet		C C					
1		2							