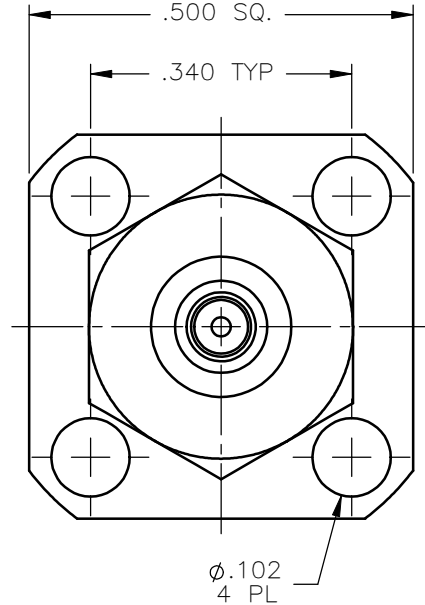
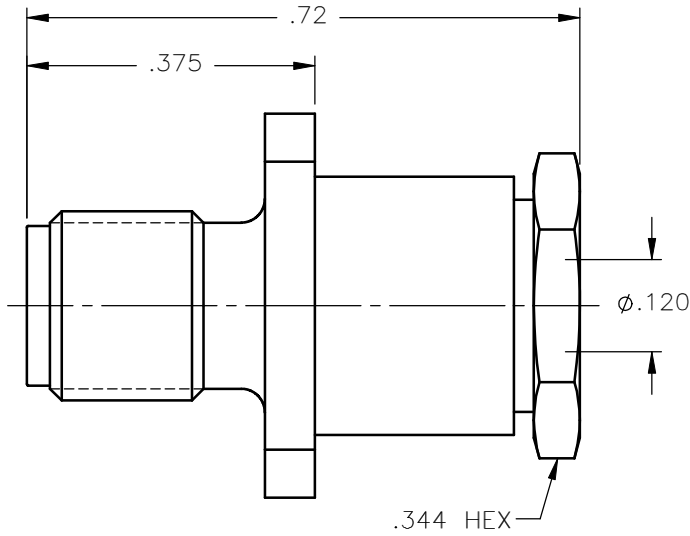


| REVISIONS | | | |
|-----------|-----------------|----------|----------|
| REV. | DESCRIPTION | DATE | APPROVED |
| A | INITIAL RELEASE | 04/26/10 | A.D.M. |




NOTES:

MATERIALS:

1. BODY = STAINLESS STEEL PER ASTM A582, ALLOY 303, CONDITION "A".
2. INSULATORS = VIRGIN WHITE TEFLON PER ASTM D1710, GRADE 1, TYPE I, CLASS "B".
3. CONTACT = BERYLLIUM COPPER PER ASTM B196, ALLOY C17300, TEMPER TD04.
4. ALL OTHER METAL PARTS = BRASS PER ASTM B16, ALLOY C36000, TEMPER H02.

FINISHES:

1. BODY = GOLD PLATE PER MIL-G-45204, TYPE II, CLASS 0, GRADE C, OVER .000050 TO .00010 STRESS FREE NICKEL PER QQ-N-290.
2. CONTACT = GOLD PLATE PER MIL-G-45204, TYPE II, CLASS 1, GRADE C, OVER .00010 TO .00020 STRESS FREE SULFAMATE NICKEL PER QQ-N-290.
3. ALL OTHER METAL PARTS = GOLD PLATE PER MIL-G-45204, TYPE II, CLASS 0, GRADE C, OVER .00010 TO .00020 COPPER STRIKE PER MIL-C-14550.

| | | | |
|---|-----------------------|----------|---|
| UNLESS OTHERWISE SPECIFIED DIMENSIONS ARE IN INCHES TOLERANCES ON | DWN: | DATE |  Property of Radiall This document cannot be reproduced or communicated to a third party without prior written permission of RADIALL. |
| | A.D.M. | 04/26/10 | |
| DECIMAL | ANGLE | CHKD: | DATE |
| | | D.N. | 04/26/10 |
| | | APVD: | DATE |
| | | J.M. | 04/26/10 |
| REFERENCE: | MATERIALS & FINISHES: | | SMA STRAIGHT JACK 4 HOLE FLANGE MOUNT/CLAMP TYPE FOR RG-316 & SIMILAR CABLES |
| ORIGINATED: A.D.M. DATE: 04/26/10 | SEE NOTES | | SIZE: A FSCM NO.: 19505 DWG NO.: 9231-1553-003 SCALE: 4:1 THIRD ANGLE PROJECTION |
| | | | REV: A SHEET 1 OF 1 |

9231-1553-003