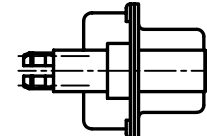
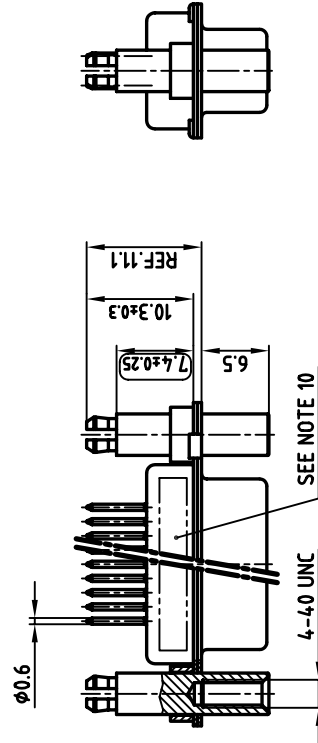
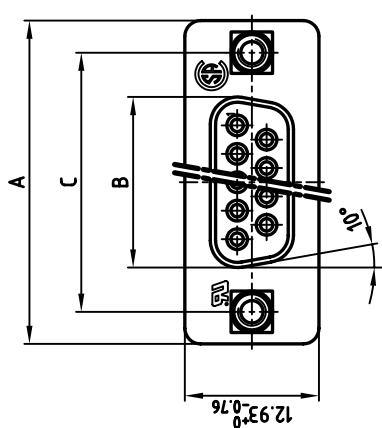
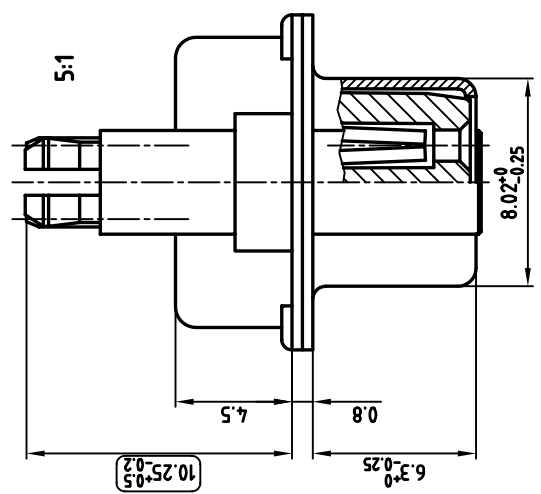


1 2 3 4 5 6 7 8

used for: D-SUB FILTER



NOTES:

1. METAL SHELLS: STEEL; min. 320µ" TIN
2. INSULATORS: PBT GF UL 94 V-0, BLACK
3. CONTACTS: COPPER ALLOY
PLATING: 8µ" HARD GOLD OVER min. 50µ" NICKEL
4. THREADED LOCK/SPACER CLIP: COPPER ALLOY; min. 200µ" TIN over 80µ" NICKEL
PCB-HOLE: φ3.1±0.1; PCB THICKNESS 1.6mm
5. COLLAR: COPPER ALLOY; min. 200µ" TIN over 80µ" NICKEL
6. P.C.B. HOLE DRILLINGS ON DRAWING NO.: 16K111UA
7. CAPACITANCE: 1300pF ±20%
8. DIELECTRIC WITHSTANDING VOLTAGE: 424 VDC
9. MAXIMUM TORQUE VALUE FOR THREAD: 6" LBS
10. CONNECTOR IS PART MARKED: [PART-NO.] CONEC [Y/WW]
11. [] = CHECK DIMENSION



APPROVAL # FREIGABE # DEBLOCKAGE # AUTORIZACION # APPROVAL

CUSTOMER APPROVAL DATE:

NAME: _____ TITLE: _____

COMPANY NAME: _____

APPROVAL # FREIGABE # DEBLOCKAGE # AUTORIZACION # APPROVAL

DO NOT ALTER CAD DRAWING BY HAND

OWNERSHIP AND COPYRIGHT OF CONEC GMBH

THIS DRAWING MAY NOT BE COPIED OR REPRODUCED IN ANY WAY, AND MAY NOT BE PASSED ON TO A THIRD PARTY WITHOUT WRITTEN PERMISSION.

rev.	description	date	name

tolerance	dim. in mm
2003	name
drawn	12.06.
Lehmkühler	name
appl.	12.06.
Kühle	name
norm	DIN 41652
e-old	

scale: 2:1 (5:1)
material: SEE NOTES
title: D-SUB FILTER FEMALE
9-37pos. SOLDER PIN STRAIGHT
with threaded lock and spacer clip
AutoCAD 2000
DIN-A
3
sh: 1/1

dwg no: 24K1A396
part no: SEE TABLE

POS.	A	B	C	PART NO.
9	31.19	16.46	25.00 ^{+0.12} _{-0.13}	242A15330X
15	39.52	24.79	33.30 ^{+0.15} _{-0.1}	242A15340X
25	53.42	38.50	47.04 ^{+0.13}	242A15350X
37	69.70	54.96	63.50 ^{+0.13}	242A15360X

1 2 3 4 5 6 7 8