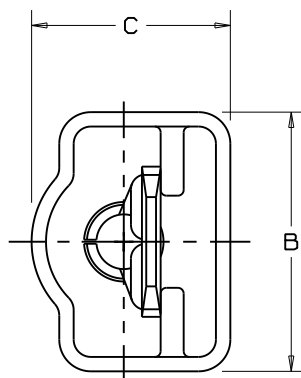
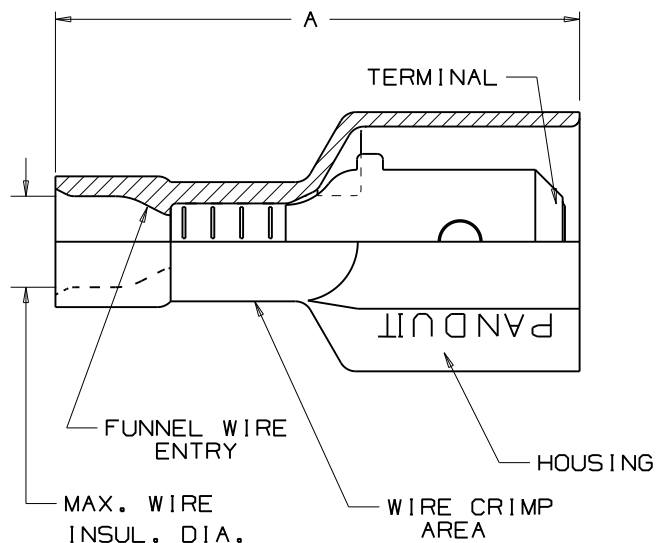


NOTES:



1. UL LISTED AND CSA CERTIFIED FOR:
 - A. 600V MAX VOLTAGE RATING
 - B. 221° F (105 C) MAX TEMP. RATING (CSA)
 - C. 257° F (125°C) MAX TEMP. RATING (UL)
 - D. STRANDED COPPER WIRE ONLY.
2. MATERIAL:
 - A. STAMPING- BRASS, NICKEL PLATED
 - COPPER, NICKEL PLATED (FOR DNF10-250F1MB)
 - B. HOUSING-TYPE 6/6 NYLON
3. DIMENSIONS IN BRACKETS ARE IN mm OR mm²
4. COLORS ARE TRANSLUCENT
5. SEE www.panduit.com FOR PART NUMBER SUFFIX DESIGNATION FOR PACKAGE SIZE.
6. WIRE STRIP LENGTH: $9/32^{+1/32}_{-0}$ (7.1^{+0.8}₋₀)
 $3/8^{+1/32}_{-0}$ (9.5^{+0.8}₋₀)
 (FOR DNF10-250F1MB)



LISTED
20H3
E78522



CERTIFIED
LR31212

PART NUMBER	TAB SIZE	WIRE RANGE AWG (mm ²)	COLOR (note 4)	MAX. INSUL.	DIMENSIONS in			CRIMP TOOLS
					A ±.03	B ±.01	C ±.01	
DNF18-250F1MB	.250 X .032 (6,3 X 0,8)	22-18 (1,5-1,0)	RED	.136 (3,45)	.91 (23,1)	.45 (11,4)	.34 (8,6)	CT-600-A CT-520 CT-1525 CT-2500
DNF14-250F1MB	.250 X .032 (6,3 X 0,8)	16-14 (1,5-2,5)	BLUE	.160 (4,06)	.91 (23,1)	.45 (11,4)	.34 (8,6)	CT-600-A CT-520 CT-1525 CT-2500
DNF10-250F1MB	.250 X .032 (6,3 X 0,8)	12-10 (4,0-6,0)	YELLOW	.220 (5,59)	.96 (24,4)	.45 (11,4)	.36 (9,1)	CT-600-A CT-1550 CT-1551 CT-2500

PANDUIT CORP.

TINLEY PARK, ILLINOIS

REV	DATE	BY	DESCRIPTION
13	8/11	SHOR	MODIFIED NOTE #5, ADDED INSTALLATION TOOLS
12	07/10	SRB	Corrected tab size for DNF10-250F1MB

LOOSE PC. FULLY INSULATED UNI-MALE DISCONNECT .250 X .032		DRAWN BY JV	CHK'D	SCALE 	DRAWING NO. A41402
--	--	----------------	-------	-----------	-----------------------