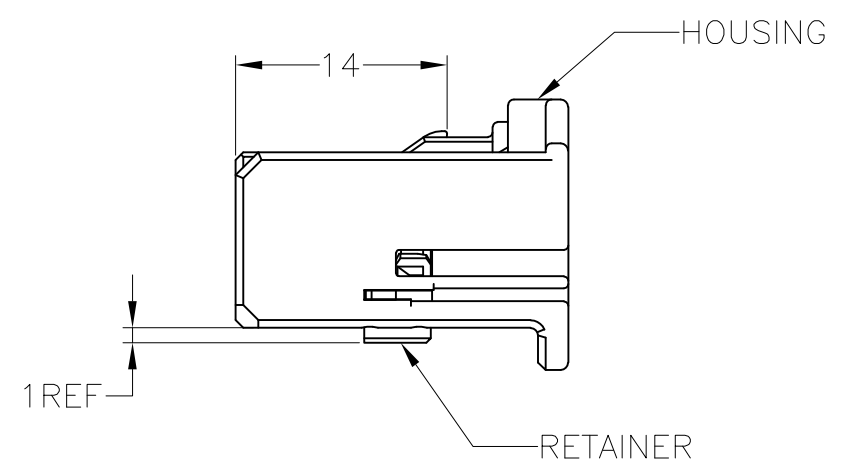
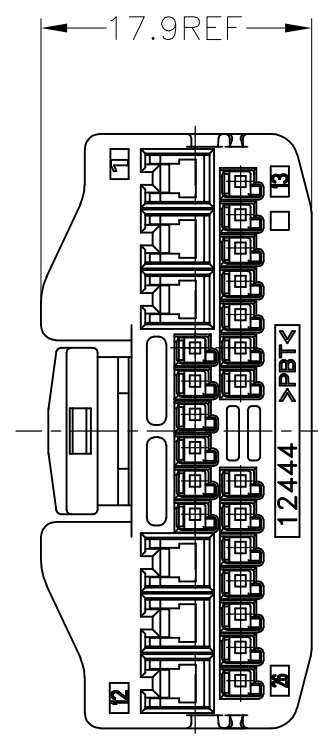
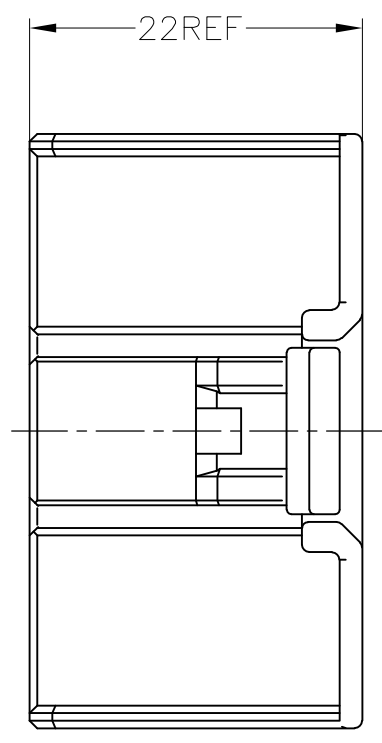
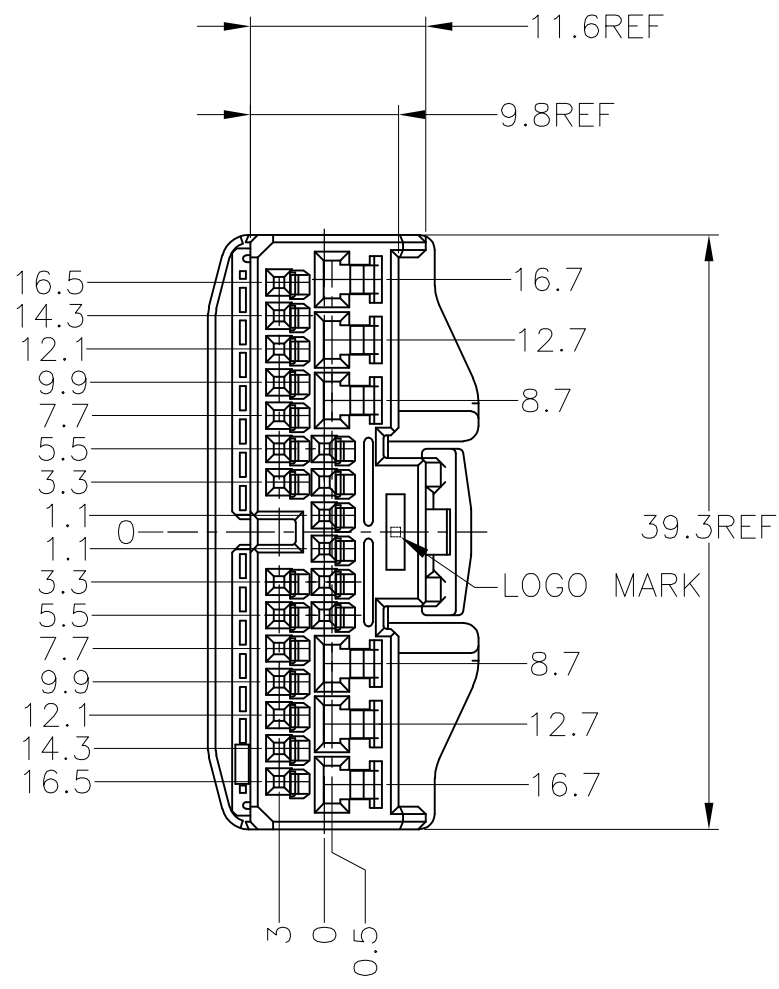


THIS DRAWING IS UNPUBLISHED. RELEASED FOR PUBLICATION
 © COPYRIGHT - By Tyco Electronics Japan G.K. ALL RIGHTS RESERVED.

LOC	DIST	REVISIONS					
J	/	P	LTR	DESCRIPTION	DATE	DWN	APVD
			A2	REVISED	ECR-15-007236	15MAR2015	KY TK



- 1.RETAINER SHOULD BE SENT TO THE PRE-ASSEMBLY POSITION WITHIN THE PLUG HOUSING WHEN SHIPPED TO THE CUSTOMER
- 2.INSTRUCTION SHEET NO.411-78080
- 3.PART NUMBER OF CAP HOUSING TO BE MATED; SEE TABLE-1
- 4.APPLIED TERMINALS; SEE TABLE-2

- 1.プラグハウジングにリテーナを仮係止して出荷される
- 2.取扱説明書NO.411-78080
- 3.嵌合相手型番; TABLE-1参照
- 4.適用端子; TABLE-2参照

TABLE-1

POS 極数	CAP ASSEMBLY PART NO キャップ 型番
26	1376357

SEE DRAWING 1674932-3			1674932-3
PAPER BOX ダンボール	PLASTIC BAG ビニール袋	BLACK	1674932-2
PAPER BOX ダンボール	PLASTIC BAG ビニール袋	NATURAL	1674932-1
OUTER 外装	INNER 内装	COLOR	PART NUMBER
PACKING STYLE 梱包形態			

TABLE-2

		TERMINAL NO 端子型番	APPLICABLE WIRE RANGE 適用電線
SIGNAL 0.64 III	TIN	1674311-1	AVSS/CAVS/CAVUS/AVSSH-f 0.3~0.5mm ²
	SELECTIVE GOLD	1674311-2	

THIS DRAWING IS A CONTROLLED DOCUMENT.		DWN S.AMEMIYA 28JAN04	STE TE Connectivity	
DIMENSIONS: 単位: 耗 mm		CHK H.YAMAGAMI 28JAN04		
TOLERANCES UNLESS OTHERWISE SPECIFIED: 一般公差 ±0.3		APVD K.ASAI 28JAN04	NAME 名称	
θ-PLC ± 1-PLC ± 2-PLC ± 3-PLC ± 4-PLC ± ANGLES ±3°		PRODUCT SPEC 製品規格 108-5953	0.64III/2.3II CONNECTOR PLUG ASSEMBLY 26P	
MATERIAL 材料 PBT		FINISH 仕上 SEE TABLE	APPLICATION SPEC 取付適用規格 114-5329	RESTRICTED TO
		WEIGHT 6.3g	SIZE A3	CAGE CODE 00779
		DRAWING NO 番号 C-1674932		
		CUSTOMER DRAWING		SCALE 尺度 2:1
				SHEET 1 OF 1
				REV A2