

## Wide Bandwidth Analog Switches

### Features

- Single-Supply Operation (+2V to +6V)
- Rail-to-Rail Analog Signal Dynamic Range
- Low On-Resistance (6Ω typ. with 5V supply)  
Minimizes Distortion and Error Voltages
- On-Resistance Flatness, 3Ω typ.
- Low Charge Injection Reduces Glitch Errors. Q = 4pC typ.
- High Speed.  $t_{ON} = 10\text{ns}$  typ.
- Wide -3dB Bandwidth: 326 MHz (typ.)
- High-Current Channel Capability: >100mA
- TTL/CMOS Logic Compatible
- Low Power Consumption (0.5μW typ)
- Small outline transistor package minimizes board area
- Packaging (Pb-free & Green available):  
- 6-pin 65-mil wide SOT23 (T) for PI5A124

### Applications

- Audio, Video Switching, and Routing
- Battery-Powered Communication Systems
- Computer Peripherals
- Telecommunications
- Portable Instrumentation
- Mechanical Relay Replacement
- Cell Phones
- PDAs

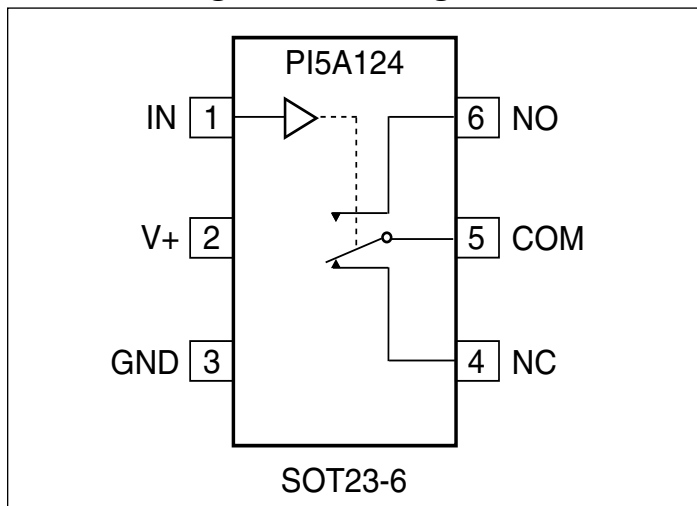
### Description

The PI5A124 are analog switches designed for single-supply operation. These high-precision devices are ideal for low-distortion audio, video, signal switching and routing.

These switches are fully specified with +5V, and +3.3V supplies. With +5V, they guarantee <math>10\Omega</math> On-Resistance. On-Resistance matching between channels is within 2Ω. On-Resistance flatness is less than 55Ω over the specified range. These switches also guarantee fast switching speeds ( $t_{ON} < 20\text{ns}</math>).$

These products are available in 6-pin SOT23 plastic packages for operation over the industrial (-40°C to +85°C) temperature range.

### Functional Diagrams/Pin Configurations



Switches shown for Logic "0" input

### Truth Tables

LOGIC	PI5A124	
	NC	NO
0	ON	OFF
1	OFF	ON

### Absolute Maximum Ratings

Voltages Referenced to Gnd	
V+ .....	-0.5V to +7V
V <sub>IN</sub> , V <sub>COM</sub> , V <sub>NC</sub> , V <sub>NO</sub> (Note 1) ..... or 30mA, whichever occurs first	-0.5V to V+ +2V
Current (any terminal).....	±25mA
Peak Current, COM, NO, NC (Pulsed at 1ms, 10% duty cycle).....	±25mA

### Thermal Information

Continuous Power Dissipation	
SOT23-6 (derate 7mW/°C above +70°C).....	550mW
Storage Temperature .....	-65°C to +150°C
Lead Temperature (soldering, 10s) .....	+300°C
<b>Note 1:</b> Signals on NC, NO, COM, or IN exceeding V+ or GND are clamped by internal diodes. Limit forward diode current to 30mA.	

**Caution:** Stresses beyond those listed under “Absolute Maximum Ratings” may cause permanent damage to the device. This is a stress only rating and operation of the device at these or any other conditions beyond those indicated in the operational sections of this specification is not implied.

### Electrical Specifications - Single +5V Supply

(V+ = +5V ± 10%, GND = 0V, V<sub>INH</sub> = 2.4V, V<sub>INL</sub> = 0.8V)

Parameter	Symbol	Conditions	Temp.(°C)	Min. <sup>(1)</sup>	Typ. <sup>(2)</sup>	Max. <sup>(1)</sup>	Units
<b>Analog Switch</b>							
Analog Signal Range <sup>(3)</sup>	V <sub>ANALOG</sub>		Full	0		V+	V
On-Resistance	R <sub>ON</sub>	V+ = 4.5V, I <sub>COM</sub> = -30mA, V <sub>NO</sub> or V <sub>NC</sub> = +2.5V	25		7.2	10	Ω
On-Resistance Match Between Channels <sup>(4)</sup>	ΔR <sub>ON</sub>		Full		0.2	2	
On-Resistance Flatness <sup>(5)</sup>	R <sub>FLAT(ON)</sub>	V+ = 5V, I <sub>COM</sub> = -30mA, V <sub>NO</sub> or V <sub>NC</sub> = 1V, 2.5V, 4V	25		2.72	3.5	
			Full			4	
NO or NC Off Leakage Current <sup>(6)</sup>	I <sub>NO(OFF)</sub> or I <sub>NC(OFF)</sub>	V+ = 5.5V, V <sub>COM</sub> = 0V, V <sub>NO</sub> or V <sub>NC</sub> = 4.5V	25		0.18		nA
			Full	-1		150	
COM Off Leakage Current <sup>(6)</sup>	I <sub>COM(OFF)</sub>	V+ = 5.5V, V <sub>COM</sub> = + 4.5V, V <sub>NO</sub> or V <sub>NC</sub> = ± 0V	25		0.20		
			Full	-1		150	
COM On Leakage Current <sup>(6)</sup>	I <sub>COM(ON)</sub>	V+ = 5.5V, V <sub>COM</sub> = +4.5V V <sub>NO</sub> or V <sub>NC</sub> = +4.5V	25		0.20		
			Full	-1		50	

### Electrical Specifications - Single +5V Supply

(V+ = +5V ± 10%, GND = 0V, V<sub>INH</sub> = 2.4V, V<sub>INL</sub> = 0.8V)

Parameter	Symbol	Conditions	Temp(°C)	Min. <sup>(1)</sup>	Typ. <sup>(2)</sup>	Max. <sup>(1)</sup>	Units
<b>Logic Input</b>							
Input High Voltage	V <sub>IH</sub>	Guaranteed logic High Level	Full	2			V
Input Low Voltage	V <sub>IL</sub>	Guaranteed logic Low Level				0.8	
Input Current with Voltage High	I <sub>INH</sub>	V <sub>IN</sub> = 2.4V, all others = 0.8V		-1	0.005	1	μA
Input Current with Voltage Low	I <sub>INL</sub>	V <sub>IN</sub> = 0.8V, all others = 2.4V		-1	0.005	1	
<b>Dynamic</b>							
Turn-On Time	t <sub>ON</sub>	V+ = 5V, Figure 1	25		7	15	ns
			Full			20	
Turn-Off Time	t <sub>OFF</sub>		25		1	7	
			Full			10	
Charge Injection <sup>(3)</sup>	Q	C <sub>L</sub> = 1nF, V <sub>GEN</sub> = 0V, R <sub>GEN</sub> = 0Ω, Figure 2	25		1.6	10	pC
Off Isolation	O <sub>IRR</sub>	R <sub>L</sub> = 50Ω, C <sub>L</sub> = 5pF, f = 10MHz, Figure 3			-43		dB
Crosstalk <sup>(8)</sup>	X <sub>TALK</sub>	R <sub>L</sub> = 50Ω, C <sub>L</sub> = 5pF, f = 10MHz, Figure 4			-43		
NC or NO Capacitance	C <sub>(OFF)</sub>	f = 1kHz, Figure 5			5.5		pF
COM Off Capacitance	C <sub>COM(OFF)</sub>				5.5		
COM On Capacitance	C <sub>COM(ON)</sub>	f = 1kHz, Figure 6			13		
-3dB Bandwidth	BW	R <sub>L</sub> = 50Ω, Figure 7		Full		326	
<b>Supply</b>							
Power-Supply Range	V+		Full	2		6	V
Positive Supply Current	I+	V+ = 5.5V, V <sub>IN</sub> = 0V or V+				1	μA

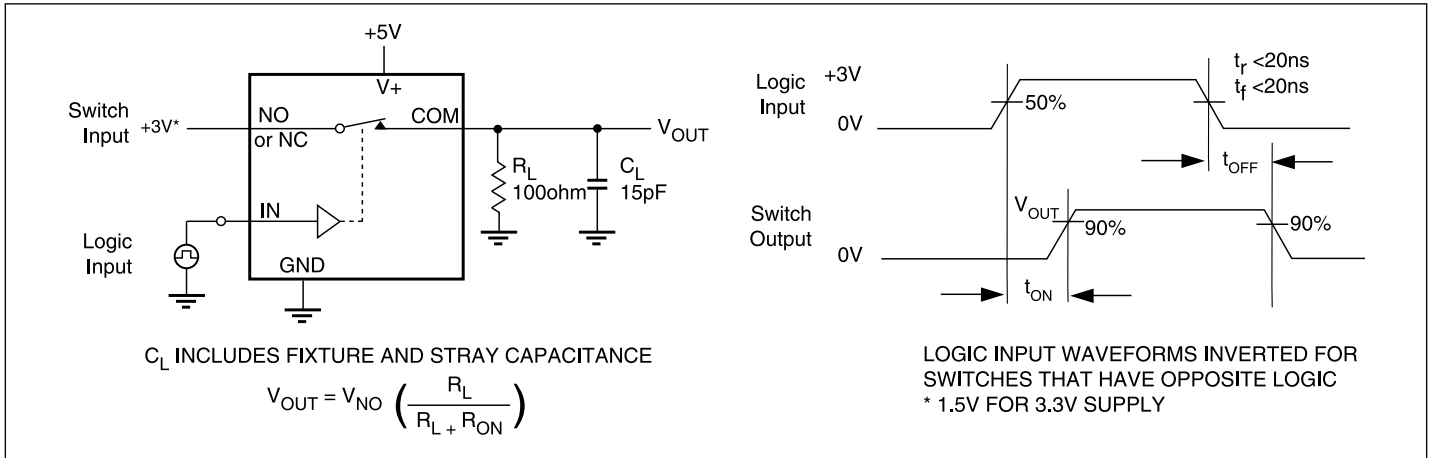
**Notes:**

- The algebraic convention, where most negative value is a minimum and most positive is a maximum, is used in this data sheet.
- Typical values are for DESIGN AID ONLY, not guaranteed or subject to production testing.
- Guaranteed by design
- $\Delta R_{ON} = R_{ON \text{ max}} - R_{ON \text{ min}}$
- Flatness is defined as the difference between the maximum and minimum value of On-Resistance measured.
- Leakage parameters are 100% tested at maximum rated hot temperature and guaranteed by correlation at +25°C.
- Off Isolation =  $20 \log_{10} [ V_{COM} / (V_{NO} \text{ or } V_{NC}) ]$ . See Figure 3.
- Between any two switches. See Figure 4.

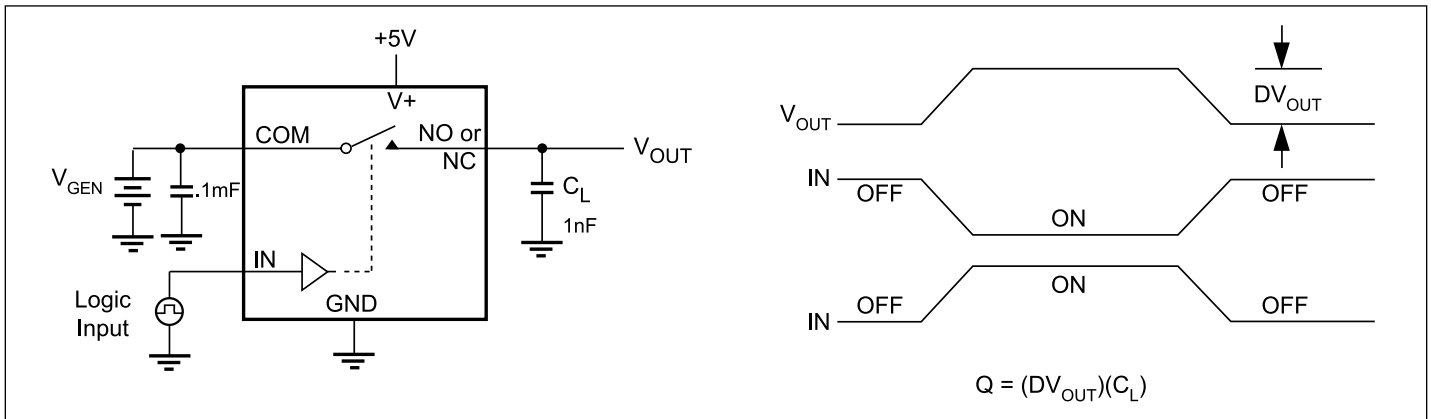
**Electrical Specifications - Single +3.3V Supply**  
(V+ = +3.3V ± 10%, GND = 0V, V<sub>INH</sub> = 2.4V, V<sub>INL</sub> = 0.8V)

Parameter	Symbol	Conditions	Temp.(°C)	Min.(1)	Typ.(2)	Max.(1)	Units
<b>Analog Switch</b>							
Analog Signal Range <sup>(3)</sup>	V <sub>ANALOG</sub>			0		V+	V
On-Resistance	R <sub>ON</sub>	V+ = 3V, I <sub>COM</sub> = -30mA, V <sub>NO</sub> or V <sub>NC</sub> = 1.5V	25		12	18	Ω
			Full			22	
On-Resistance Match Between Channels <sup>(4)</sup>	ΔR <sub>ON</sub>	V+ = 3.3V, I <sub>COM</sub> = -30mA, V <sub>NO</sub> or V <sub>NC</sub> = 0.8V, 2.5V	25		1	1	
			Full			2	
On-Resistance Flatness <sup>(3,5)</sup>	R <sub>FLAT(ON)</sub>	V+ = 3.3V, I <sub>COM</sub> = -30mA, V <sub>NO</sub> or V <sub>NC</sub> = 0.8V, 2.5V	25		0.5	4	
			Full			5	
<b>Dynamic</b>							
Turn-On Time	t <sub>ON</sub>	V+ = 3.3V, V <sub>NO</sub> or V <sub>NC</sub> = 1.5V, Figure 1	25		15	25	ns
			Full			40	
Turn-Off Time	t <sub>OFF</sub>	V+ = 3.3V, V <sub>NO</sub> or V <sub>NC</sub> = 1.5V, Figure 1	25		1.5	12	
			Full			20	
Charge Injection <sup>(3)</sup>	Q	C <sub>L</sub> = 1nF, V <sub>GEN</sub> = 0V, R <sub>GEN</sub> = 0V, Figure 2	25		1.3	10	pC
<b>Supply</b>							
Positive Supply Current	I+	V+ = 3.6V, V <sub>IN</sub> = 0V or V+ All Channels on or off	Full			1	μA
<b>Logic Input</b>							
Input High Voltage	V <sub>IH</sub>	Guaranteed logic high level	Full	2			V
Input Low Voltage	V <sub>IL</sub>	Guaranteed logic low level	Full			0.8	
Input High Current	I <sub>INH</sub>	V <sub>IN</sub> = 2.4V, all others = 0.8V	Full	-1		1	μA
Input Low Current	I <sub>INL</sub>	V <sub>IN</sub> = 0.8V, all others = 2.4V	Full	-1		1	

**Test Circuits/Timing Diagrams**

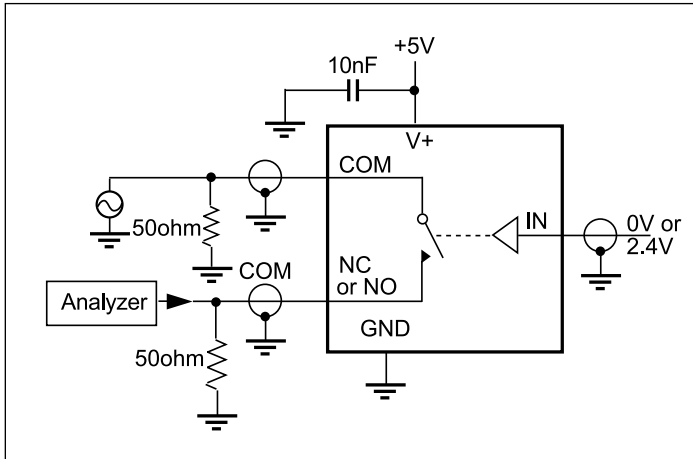


**Figure 1. Switching Time**

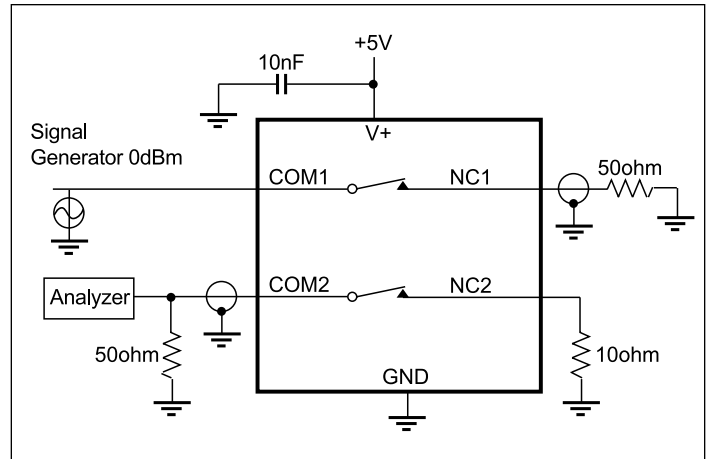


**Figure 2. Charge Injection**

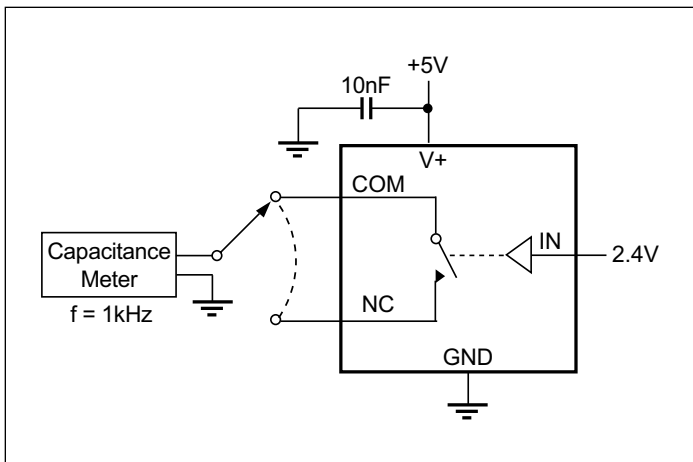
**Test Circuits/Timing Diagrams**



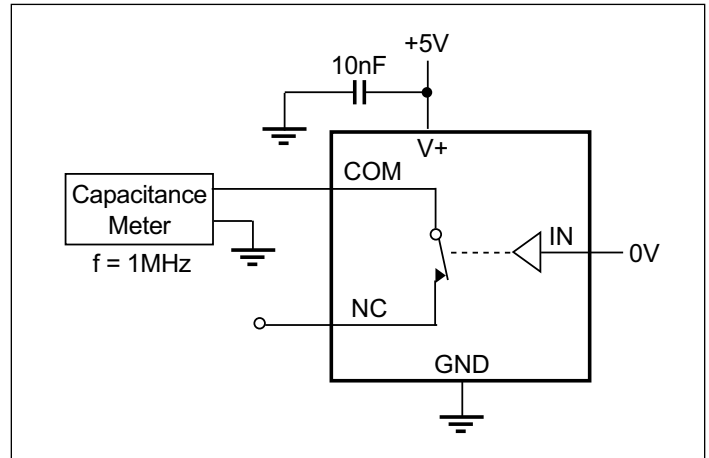
**Figure 3. Off Isolation**



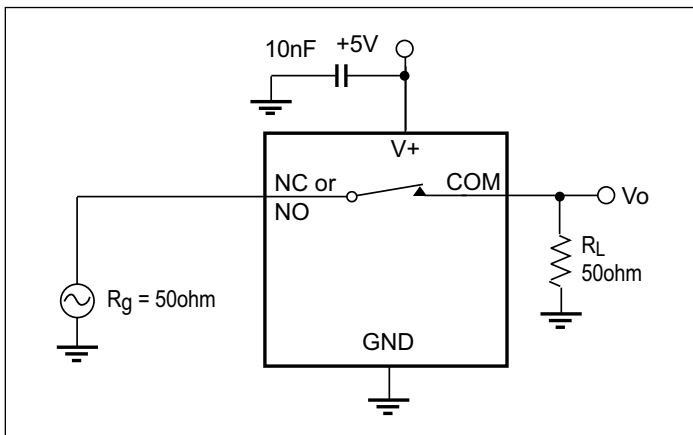
**Figure 4. Crosstalk (124 only)**



**Figure 5. Channel-Off Capacitance**

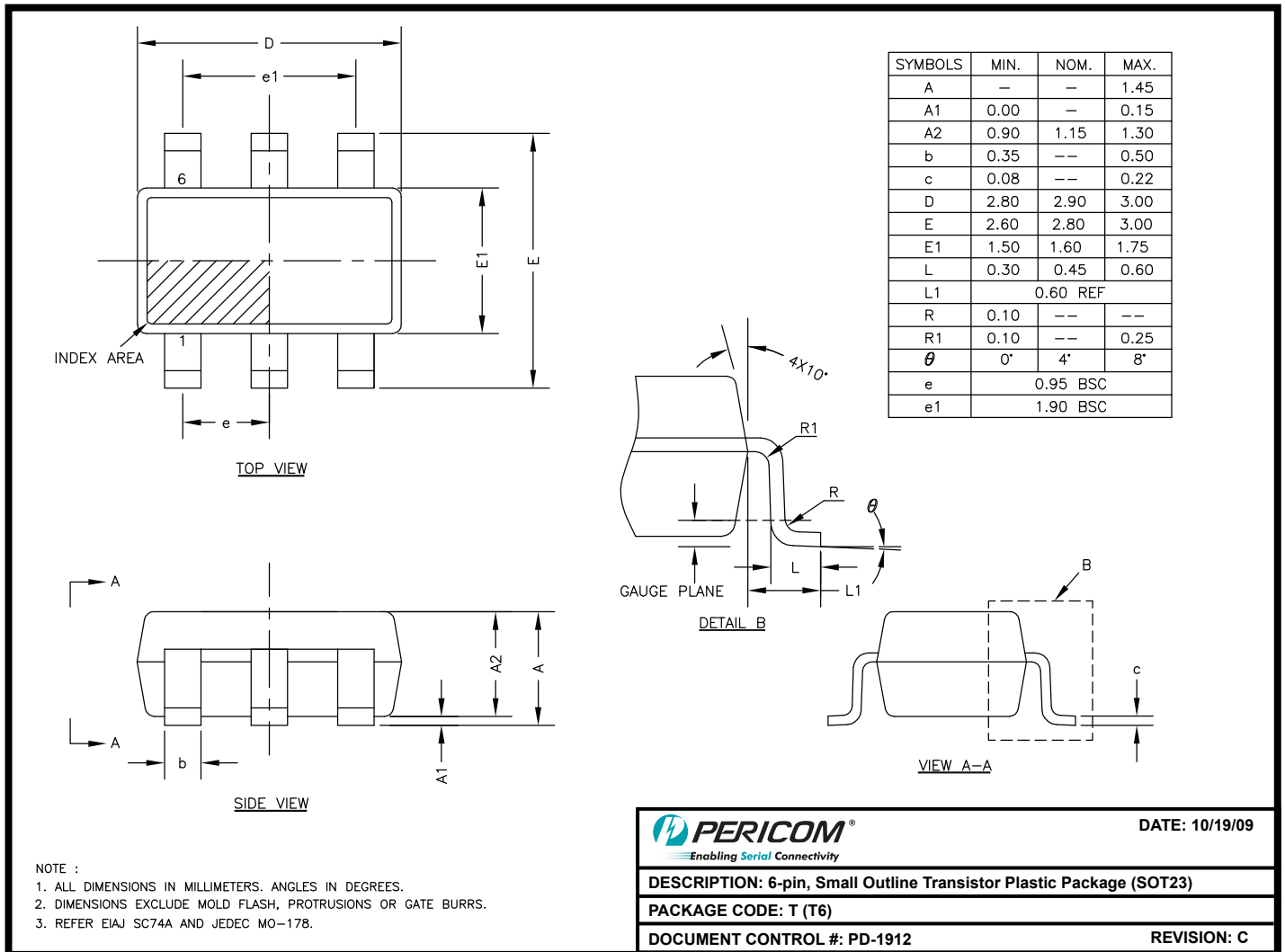


**Figure 6. Channel-On Capacitance**



**Figure 7. Bandwidth**

**Packaging Mechanical: SOT23 (T)**



09-0131

**Note:**

- For latest package info, please check: <http://www.pericom.com/products/packaging/mechanicals.php>

**Ordering Information**

Ordering Code	Packaging Code	Package Type	Top Marking
PI5A124TE	T	6-pin, Small Outline Transistor Plastic Package (SOT23)	ZT

**Notes:**

- Thermal characteristics can be found on the company web site at [www.pericom.com/packaging/](http://www.pericom.com/packaging/)
- E = Pb-free and Green
- Adding an X suffix = Tape/Reel