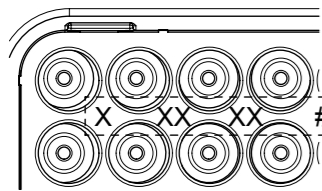
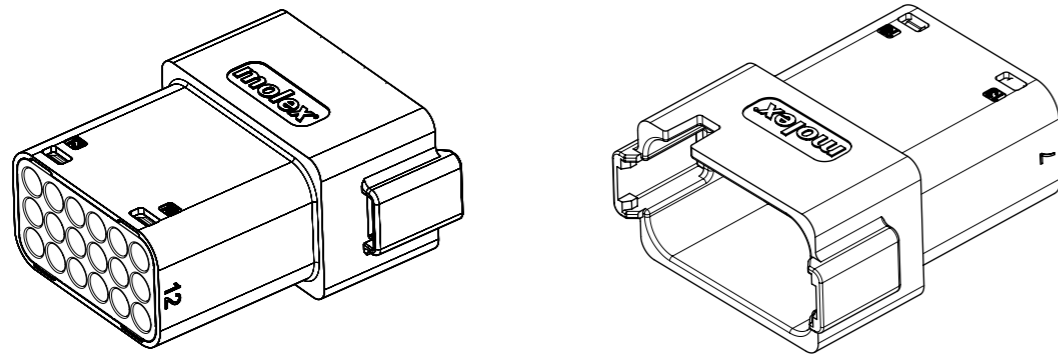


NOTES
 1. SEE SHEETS 2 TO 7 FOR UNSPECIFIED NOTES, DIMENSIONS AND PART NUMBERS

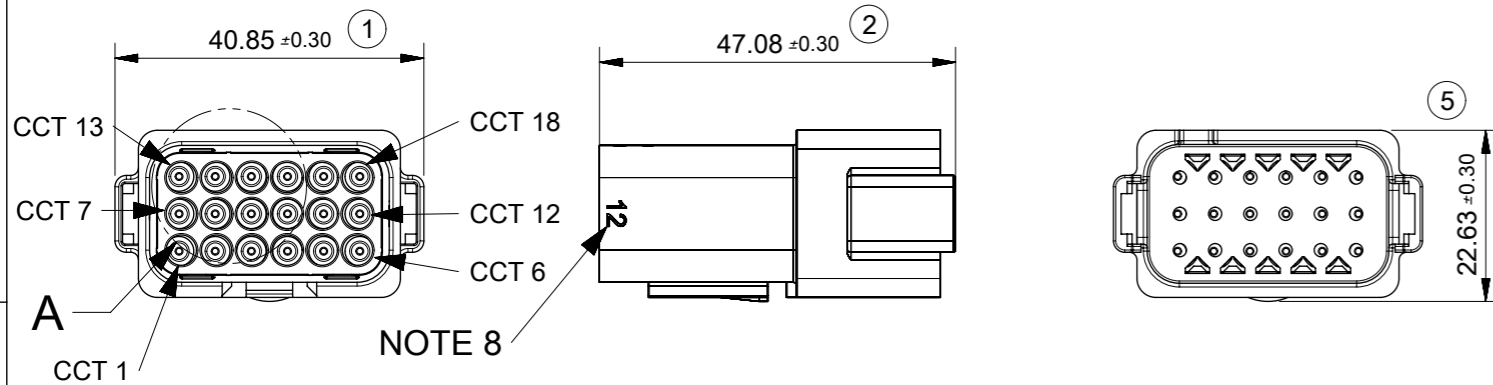
THIS DRAWING CONTAINS INFORMATION THAT IS PROPRIETARY TO MOLEX ELECTRONIC TECHNOLOGIES, LLC AND SHOULD NOT BE USED WITHOUT WRITTEN PERMISSION									
SYMBOLS		DIMENSION UNITS		SCALE		CURRENT REV DESC: PROPOSED			
▽ = 0	mm	1.5:1		molex 18CCT ML-XT CV CONNECTOR SYSTEM PRODUCT CUSTOMER DRAWING EC NO: 619923 DRWN: JFLETCHER 2019/07/01 CHK'D: IOCONNELL 2019/08/15 APPR: IOCONNELL 2019/08/16 INITIAL REVISION: DRWN: JFLETCHER 2015/12/08 APPR: JDWALLACE 2016/01/08					
GENERAL TOLERANCES (UNLESS SPECIFIED)									
▽ = 0	ANGULAR TOL ± 2.0°								
▽ = 0	4 PLACES ±								
▽ = 0	3 PLACES ±								
▽ = 0	2 PLACES ± 0.1			DOCUMENT NUMBER		DOC TYPE		DOC PART	
▽ = 0	1 PLACE ± 0.2			934430070		PSD		000 C1	
▽ = 0	0 PLACES ±			MATERIAL NUMBER		CUSTOMER		SHEET NUMBER	
■ = 0	DRAFT WHERE APPLICABLE MUST REMAIN WITHIN DIMENSIONS			THIRD ANGLE PROJECTION		DRAWING		SERIES	
▽ = 0				A3-SIZE		93443		SEE CHART	
				GENERAL MARKET				1 OF 7	

18CCT RECEPTACLE CONNECTOR



DETAIL A
SCALE 2:1

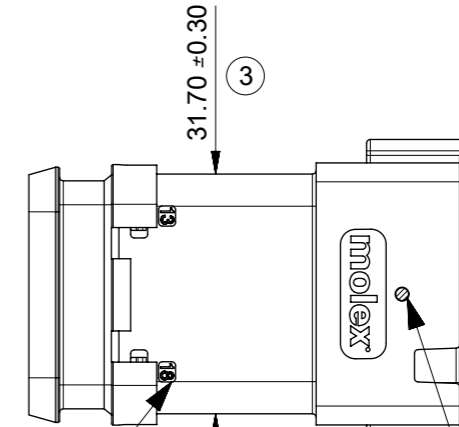
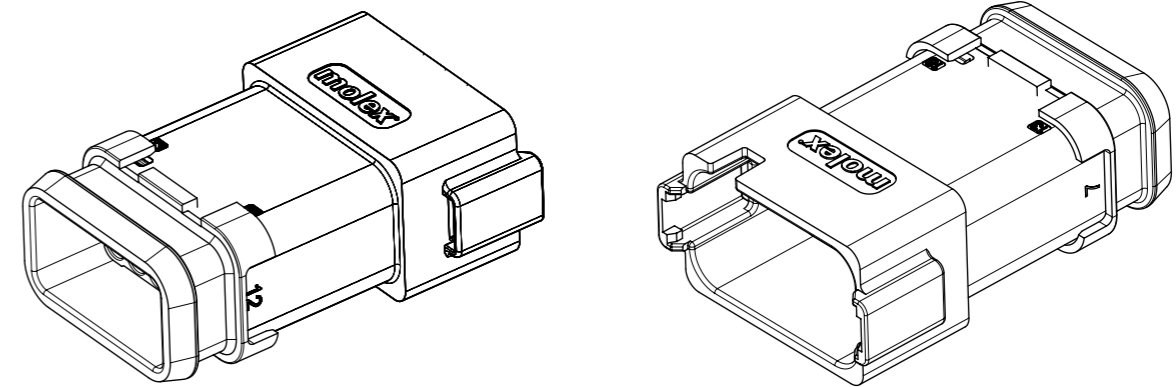
DATE CODE: X XX XX
 X — DAY: 1-7
 X — WEEK: 01 - 52
 X — YEAR: 00 - 99
 # — MACHINE 1
 EXAMPLE: 11315 = DAY 1, WEEK 13, YEAR 15
 i.e. 23rd OF MARCH 2015



NOTES

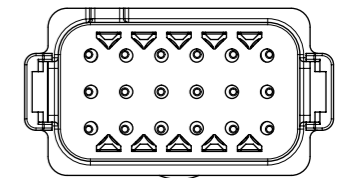
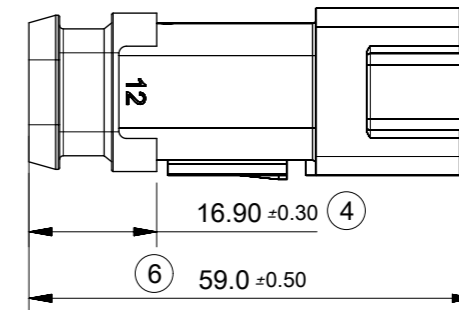
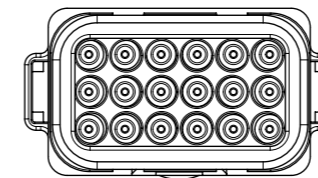
- MATERIALS
HOUSING: NYLON 30% GF
BACK SEAL: HIGH CONSISTENCY RUBBER
- CIRCUIT IDENTIFICATION
- JACKET RANGE = \varnothing 1.35mm TO 3.05mm
- SEE SHEET 3 FOR FINAL PART NUMBER DESIGNATION
- SEE 934430010 PS P FOR PRODUCT SPECIFICATION
- SEE 934430002 PS K FOR PACKAGING SPECIFICATION
- ASSEMBLY AID CHECK MARK.
- CIRCUIT ID NUMBERS "7" & "12" ON EITHER SIDE
LAST INSPECTION NUMBER 6

18CCT RECEPTACLE CONNECTOR WITH
HEATSHRINK HOUSING ULTRASONICALLY
WELDED IN PLACE

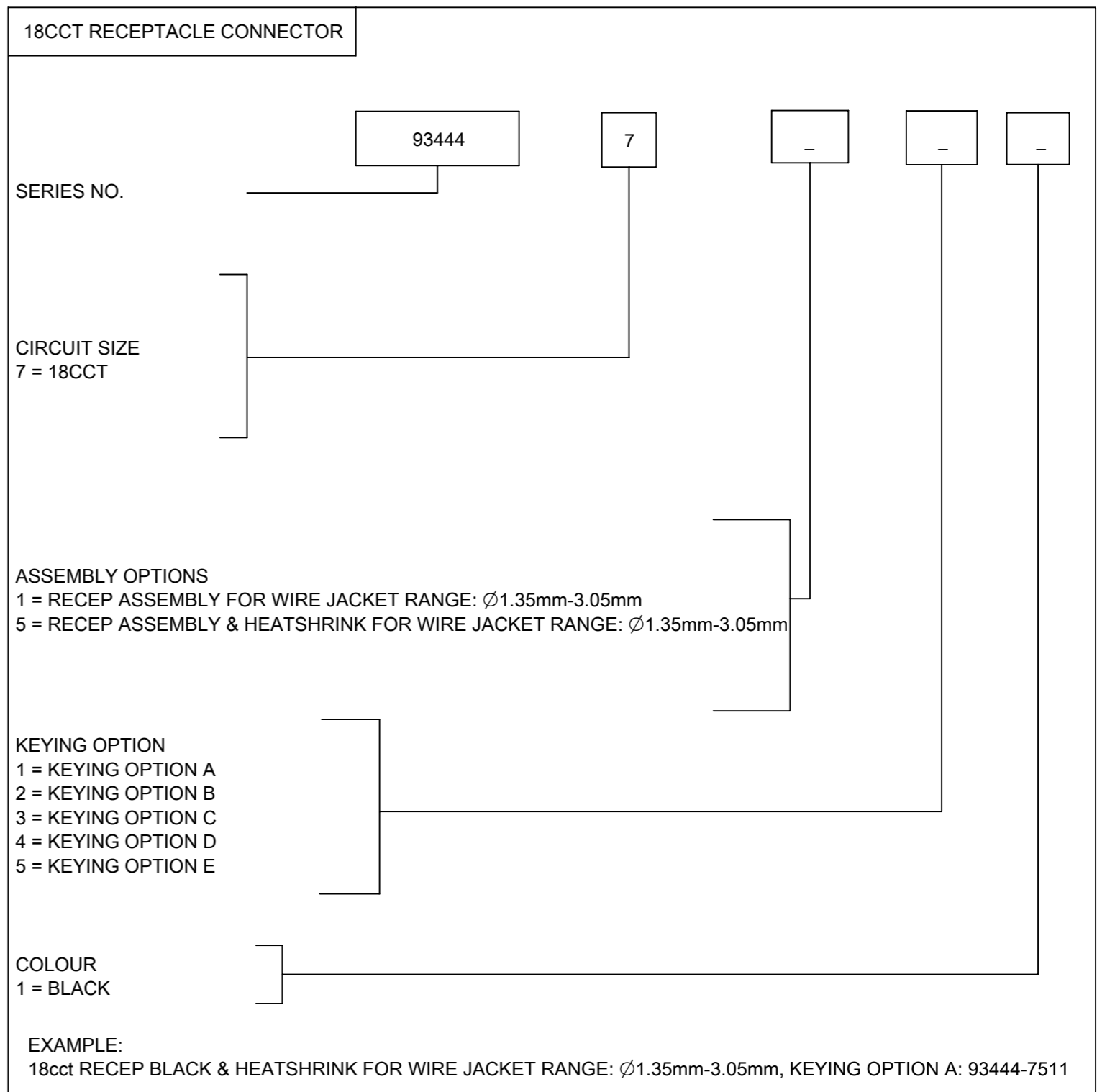
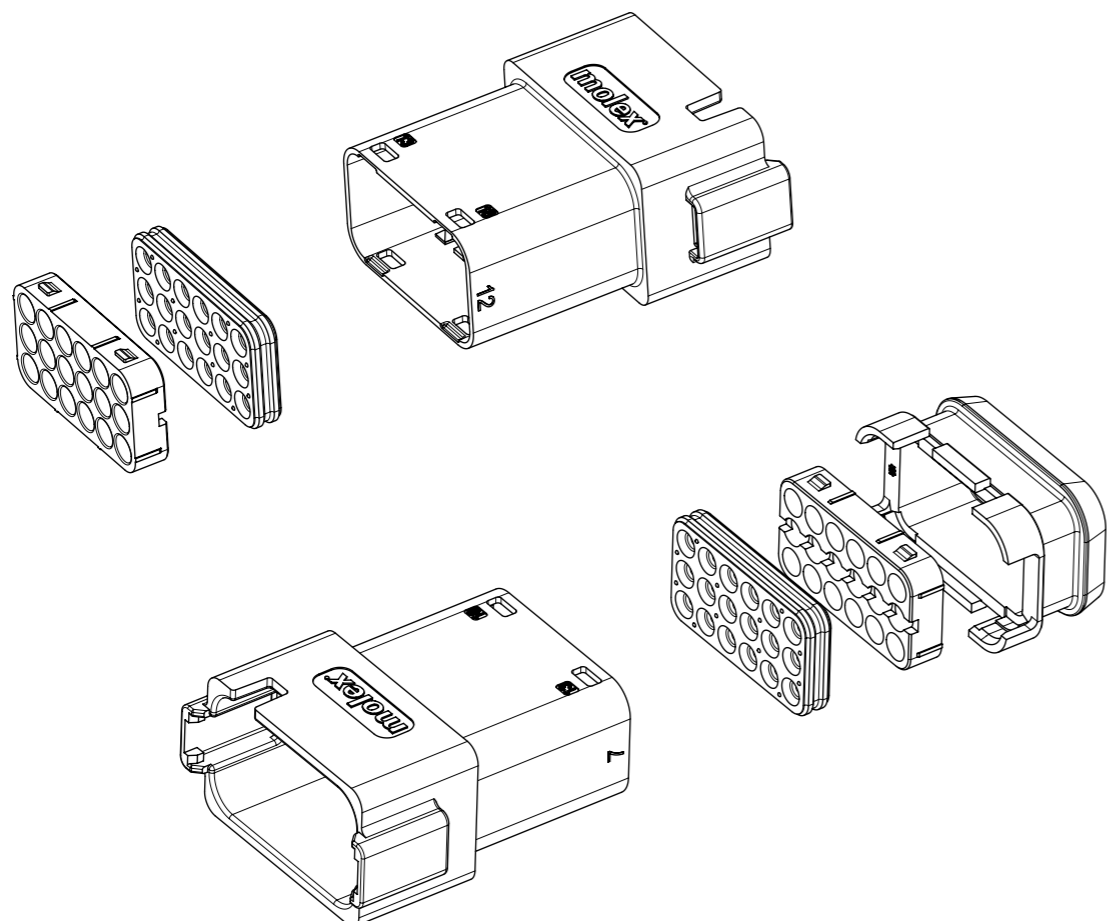


NOTE 2

NOTE 7



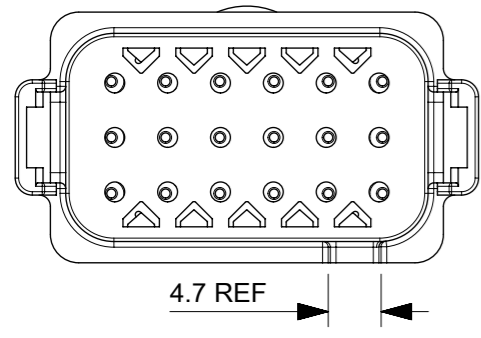
SYMBOLS		THIS DRAWING CONTAINS INFORMATION THAT IS PROPRIETARY TO MOLEX ELECTRONIC TECHNOLOGIES, LLC AND SHOULD NOT BE USED WITHOUT WRITTEN PERMISSION		CURRENT REV DESC: PROPOSED		molex			
▽ = 0	mm	SCALE	1:1					18CCT ML-XT CV CONNECTOR SYSTEM	
▽ = 0	GENERAL TOLERANCES (UNLESS SPECIFIED)						PRODUCT CUSTOMER DRAWING		
▽ = 0	ANGULAR TOL ± 2.0°						DOCUMENT NUMBER		
▽ = 0	4 PLACES ±				EC NO: 619923		DOC TYPE		
▽ = 0	3 PLACES ±				DRWN: JFLETCHER 2019/07/01		DOC PART		
▽ = 0	2 PLACES ± 0.1				CHK'D: IOCONNELL 2019/08/15		REVISION		
▽ = 0	1 PLACE ± 0.2				APPR: IOCONNELL 2019/08/16		934430070		
▽ = 0	0 PLACES ±				INITIAL REVISION:		PSD 000 C1		
▽ = 0	DRAFT WHERE APPLICABLE MUST REMAIN WITHIN DIMENSIONS		THIRD ANGLE PROJECTION		DRAWING		MATERIAL NUMBER		
▽ = 0					SERIES		CUSTOMER		
				A3-SIZE		93443		SHEET NUMBER	
						SEE CHART		GENERAL MARKET	
								2 OF 7	



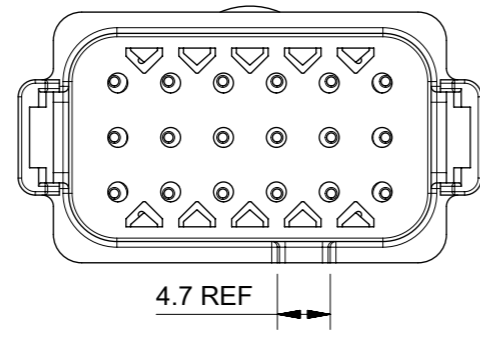
NOTES
 1. SEE SHEET 2 FOR UNSPECIFIED NOTES AND DIMENSIONS

SYMBOLS	THIS DRAWING CONTAINS INFORMATION THAT IS PROPRIETARY TO MOLEX ELECTRONIC TECHNOLOGIES, LLC AND SHOULD NOT BE USED WITHOUT WRITTEN PERMISSION		CURRENT REV DESC: PROPOSED		molex
	DIMENSION UNITS	SCALE			
▽ = 0	mm	1:1			18CCT ML-XT CV CONNECTOR SYSTEM
▽ = 0	GENERAL TOLERANCES (UNLESS SPECIFIED)				PRODUCT CUSTOMER DRAWING
▽ = 0	ANGULAR TOL ± 2.0°				
▽ = 0	4 PLACES ±		EC NO: 619923		DOCUMENT NUMBER
▽ = 0	3 PLACES ±		DRWN: JFLETCHER 2019/07/01		
▽ = 0	2 PLACES ± 0.1		CHK'D: IOCONNELL 2019/08/15		DOC TYPE
▽ = 0	1 PLACE ± 0.2		APPR: IOCONNELL 2019/08/16		
▽ = 0	0 PLACES ±		INITIAL REVISION:		DOC PART
▽ = 0	DRAFT WHERE APPLICABLE MUST REMAIN WITHIN DIMENSIONS		DRWN: JFLETCHER 2015/12/08		
▽ = 0	THIRD ANGLE PROJECTION		APPR: JDWALLACE 2016/01/08		REVISION
▽ = 0	DRAWING		SERIES	MATERIAL NUMBER	CUSTOMER
		A3-SIZE	93443	934430070	PSD 000 C1
				SEE CHART	GENERAL MARKET
				SHEET NUMBER	
				3 OF 7	

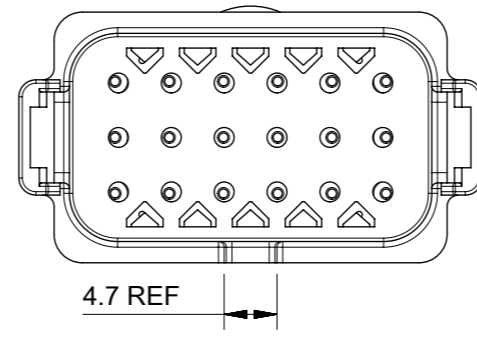
KEYING OPTION A



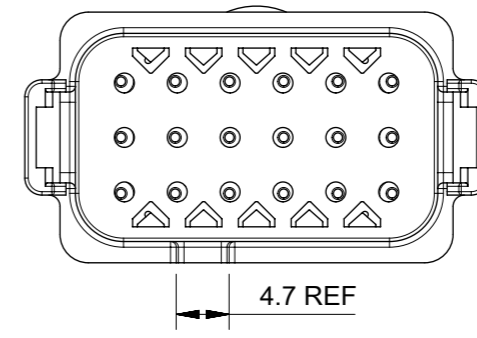
KEYING OPTION B



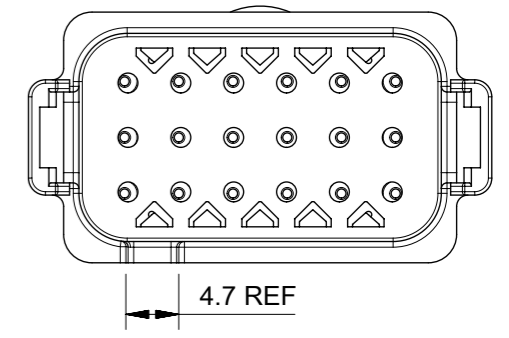
KEYING OPTION C



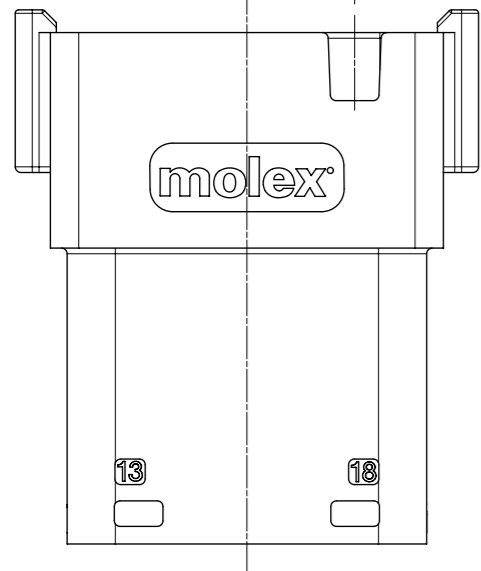
KEYING OPTION D



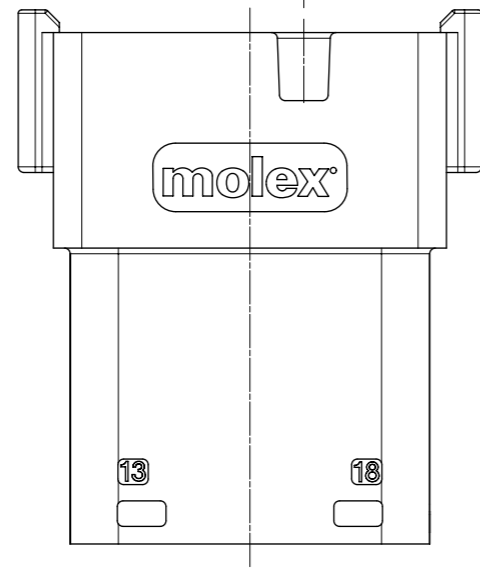
KEYING OPTION E



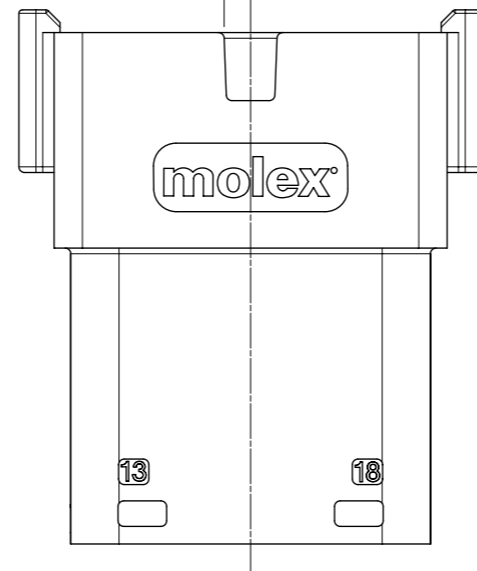
9.50 REF



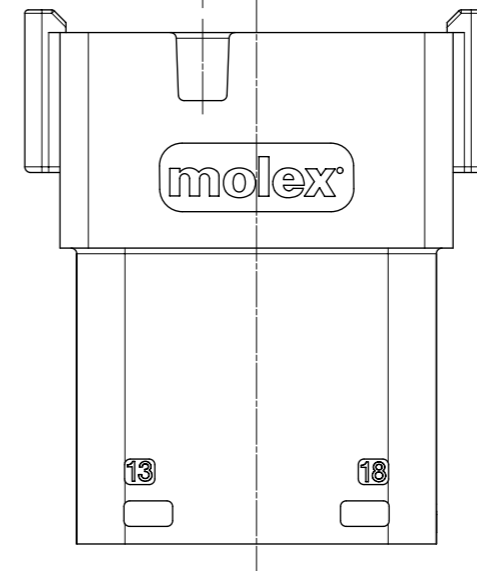
4.75 REF



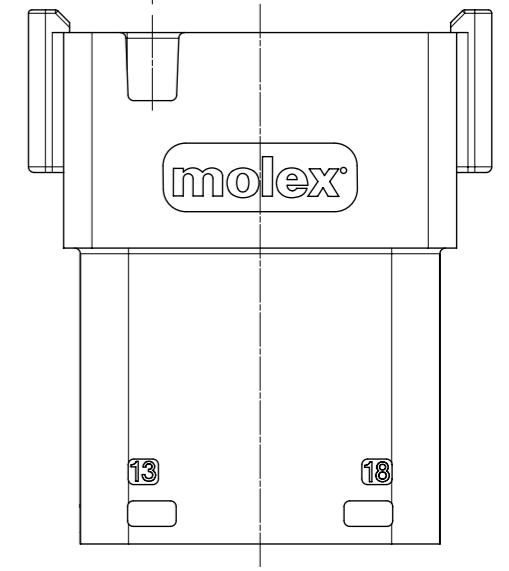
2.33 REF



4.75 REF



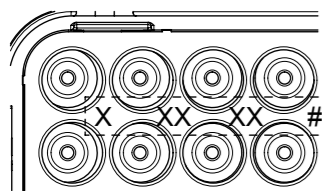
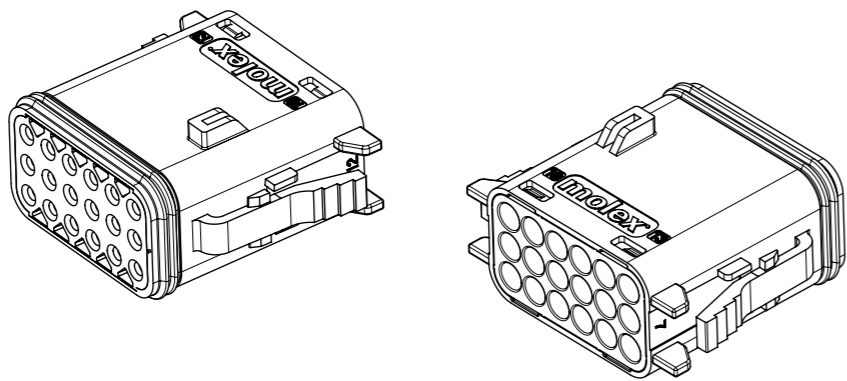
9.50 REF



NOTES
1. SEE SHEETS 2 & 3 FOR UNSPECIFIED NOTES AND DIMENSIONS

SYMBOLS	THIS DRAWING CONTAINS INFORMATION THAT IS PROPRIETARY TO MOLEX ELECTRONIC TECHNOLOGIES, LLC AND SHOULD NOT BE USED WITHOUT WRITTEN PERMISSION		CURRENT REV DESC: PROPOSED			molex		
	DIMENSION UNITS	SCALE						
▽ = 0	mm	1.5:1	EC NO: 619923 DRWN: JFLETCHER 2019/07/01 CHK'D: IOCONNELL 2019/08/15 APPR: IOCONNELL 2019/08/16			18CCT ML-XT CV CONNECTOR SYSTEM		
▽ = 0	GENERAL TOLERANCES (UNLESS SPECIFIED)							
▽ = 0	ANGULAR TOL ± 2.0°		INITIAL REVISION: DRWN: JFLETCHER 2015/12/08 APPR: JDWALLACE 2016/01/08			PRODUCT CUSTOMER DRAWING		
▽ = 0	4 PLACES	±						
▽ = 0	3 PLACES	±	DOCUMENT NUMBER 934430070			DOC TYPE DOC PART REVISION PSD 000 C1		
▽ = 0	2 PLACES	± 0.1						
▽ = 0	1 PLACE	± 0.2	MATERIAL NUMBER SEE CHART			CUSTOMER GENERAL MARKET		
▽ = 0	0 PLACES	±						
■ = 0	DRAFT WHERE APPLICABLE MUST REMAIN WITHIN DIMENSIONS		THIRD ANGLE PROJECTION	DRAWING	SERIES	SHEET NUMBER		
▽ = 0				A3-SIZE	93443	4 OF 7		

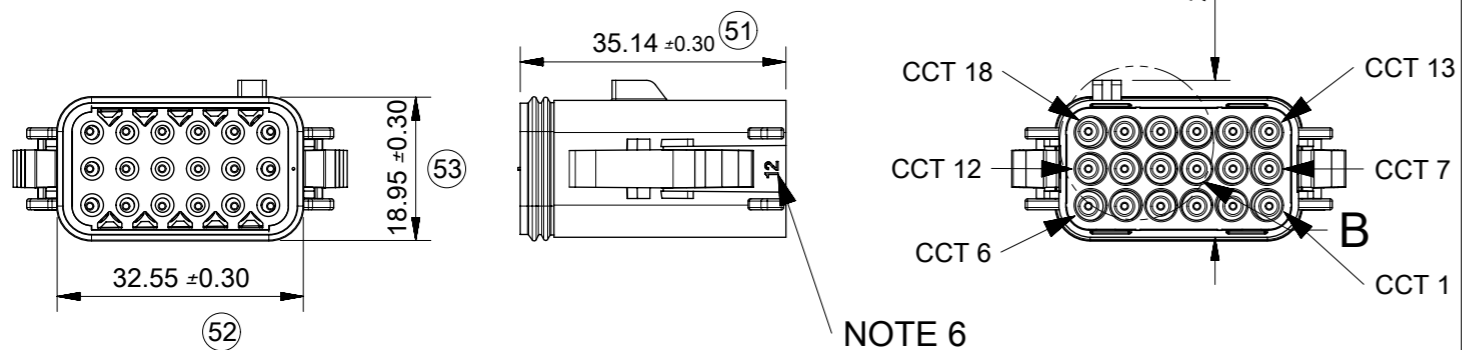
18CCT PLUG CONNECTOR



DETAIL B
SCALE 2:1

DATE CODE: X XX XX
 X — DAY: 1- 7
 X — WEEK: 01 - 52
 X — YEAR: 00 - 99
 # — MACHINE 1
 EXAMPLE: 11315 = DAY 1, WEEK 13, YEAR 15
 i.e. 23rd OF MARCH 2015

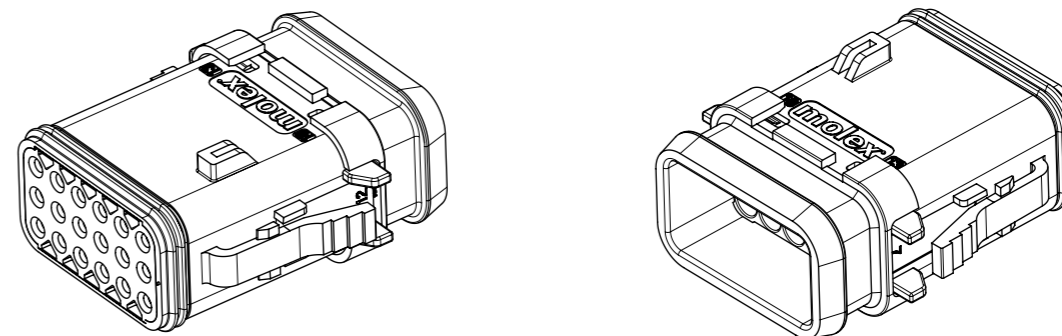
20.75 REF



NOTES

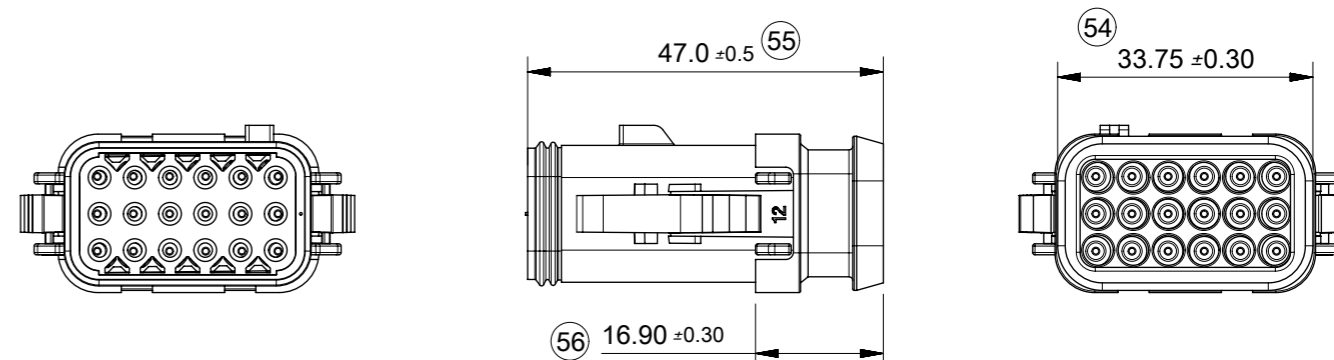
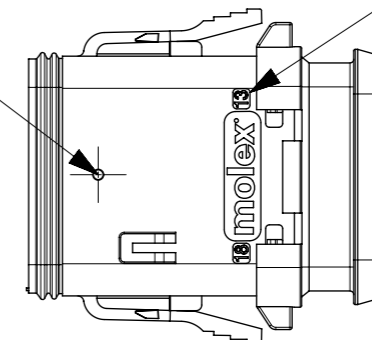
- MATERIALS
 HOUSING: NYLON 30% GF
 BACK SEAL: HIGH CONSISTENCY RUBBER
 PLUG SEAL: SILICONE RUBBER
- CIRCUIT IDENTIFICATION
- JACKET RANGE = \varnothing 1.35mm TO 3.05mm
- SEE SHEET 6 FOR FINAL PART NUMBER DESIGNATION
- REFERENCE ASSEMBLY AID CHECK MARK
- CIRCUIT ID NUMBERS "7" & "12" ON EITHER SIDE
 LAST INSPECTION NUMBER 56

18CCT PLUG CONNECTOR WITH
HEATSHRINK HOUSING ULTRASONICALLY
WELDED IN PLACE

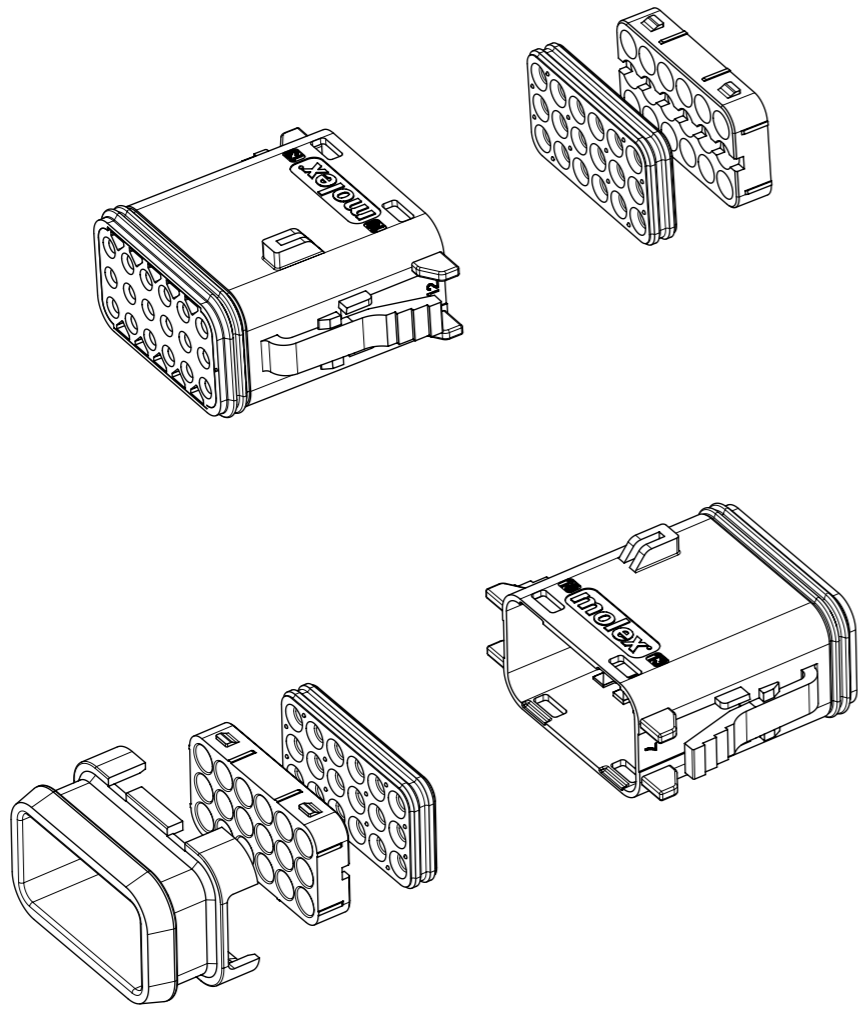


NOTE 5

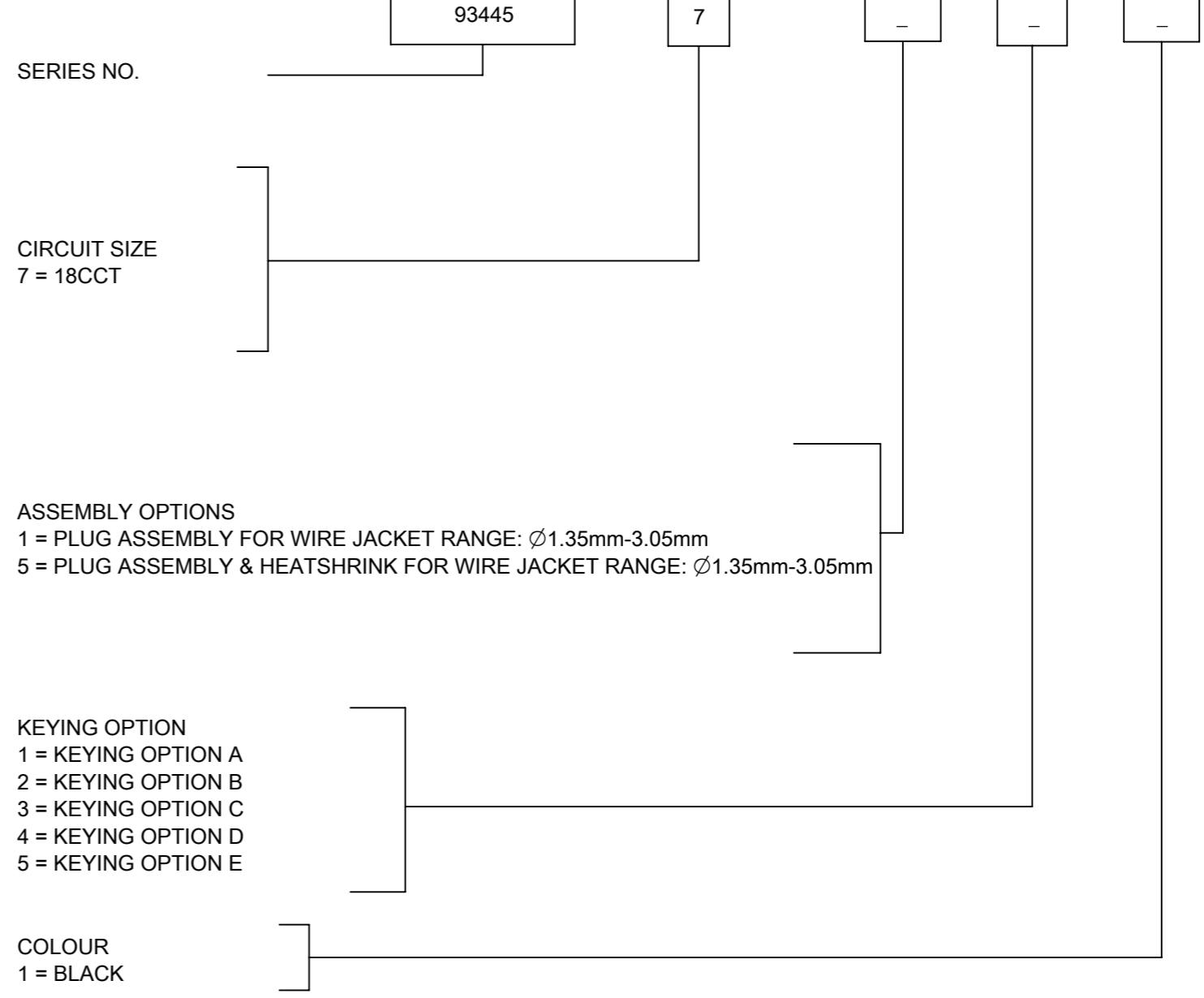
NOTE 2



SYMBOLS		THIS DRAWING CONTAINS INFORMATION THAT IS PROPRIETARY TO MOLEX ELECTRONIC TECHNOLOGIES, LLC AND SHOULD NOT BE USED WITHOUT WRITTEN PERMISSION		CURRENT REV DESC: PROPOSED		molex		
▽ = 0	mm	SCALE	1:1					18CCT ML-XT CV CONNECTOR SYSTEM
▽ = 0	GENERAL TOLERANCES (UNLESS SPECIFIED)						PRODUCT CUSTOMER DRAWING	
▽ = 0	ANGULAR TOL ± 2.0°						DOCUMENT NUMBER	
▽ = 0	4 PLACES ±	EC NO: 619923		2019/07/01		DOC TYPE		
▽ = 0	3 PLACES ±	DRWN: JFLETCHER		2019/08/15		DOC PART		
▽ = 0	2 PLACES ± 0.1	CHK'D: IOCONNELL		2019/08/16		REVISION		
▽ = 0	1 PLACE ± 0.2	APPR: IOCONNELL		2019/08/16		934430070		
▽ = 0	0 PLACES ±	INITIAL REVISION:				PSD 000 C1		
▽ = 0	DRAFT WHERE APPLICABLE MUST REMAIN WITHIN DIMENSIONS		DRWN: JFLETCHER		2015/12/08		MATERIAL NUMBER	
▽ = 0			APPR: JDWALLACE		2016/01/08		CUSTOMER	
		THIRD ANGLE PROJECTION		DRAWING		SERIES		
		A3-SIZE		93443		SHEET NUMBER		
		SEE CHART		GENERAL MARKET		5 OF 7		



18CCT PLUG CONNECTOR



SERIES NO.

93445

7

-

-

-

CIRCUIT SIZE
7 = 18CCT

ASSEMBLY OPTIONS
1 = PLUG ASSEMBLY FOR WIRE JACKET RANGE: Ø1.35mm-3.05mm
5 = PLUG ASSEMBLY & HEATSHRINK FOR WIRE JACKET RANGE: Ø1.35mm-3.05mm

KEYING OPTION
1 = KEYING OPTION A
2 = KEYING OPTION B
3 = KEYING OPTION C
4 = KEYING OPTION D
5 = KEYING OPTION E

COLOUR
1 = BLACK

EXAMPLE:
18cct PLUG BLACK & HEATSHRINK FOR WIRE JACKET RANGE: Ø1.35mm-3.05mm, KEYING OPTION A: 93445-7511

NOTES
1. SEE SHEET 5 FOR UNSPECIFIED NOTES AND DIMENSIONS

SYMBOLS	THIS DRAWING CONTAINS INFORMATION THAT IS PROPRIETARY TO MOLEX ELECTRONIC TECHNOLOGIES, LLC AND SHOULD NOT BE USED WITHOUT WRITTEN PERMISSION		CURRENT REV DESC: PROPOSED		molex
	DIMENSION UNITS	SCALE			
▽ = 0	mm	1:1			18CCT ML-XT CV CONNECTOR SYSTEM
▽ = 0	GENERAL TOLERANCES (UNLESS SPECIFIED)				
▽ = 0	ANGULAR TOL ± 2.0°				PRODUCT CUSTOMER DRAWING
▽ = 0	4 PLACES	±			
▽ = 0	3 PLACES	±			DOCUMENT NUMBER
▽ = 0	2 PLACES	± 0.1			
▽ = 0	1 PLACE	± 0.2			934430070
▽ = 0	0 PLACES	±			
□ = 0	DRAFT WHERE APPLICABLE MUST REMAIN WITHIN DIMENSIONS	THIRD ANGLE PROJECTION	DRAWING	SERIES	MATERIAL NUMBER
▽ = 0			A3-SIZE	93443	SEE CHART
					CUSTOMER
					GENERAL MARKET
					SHEET NUMBER
					6 OF 7

