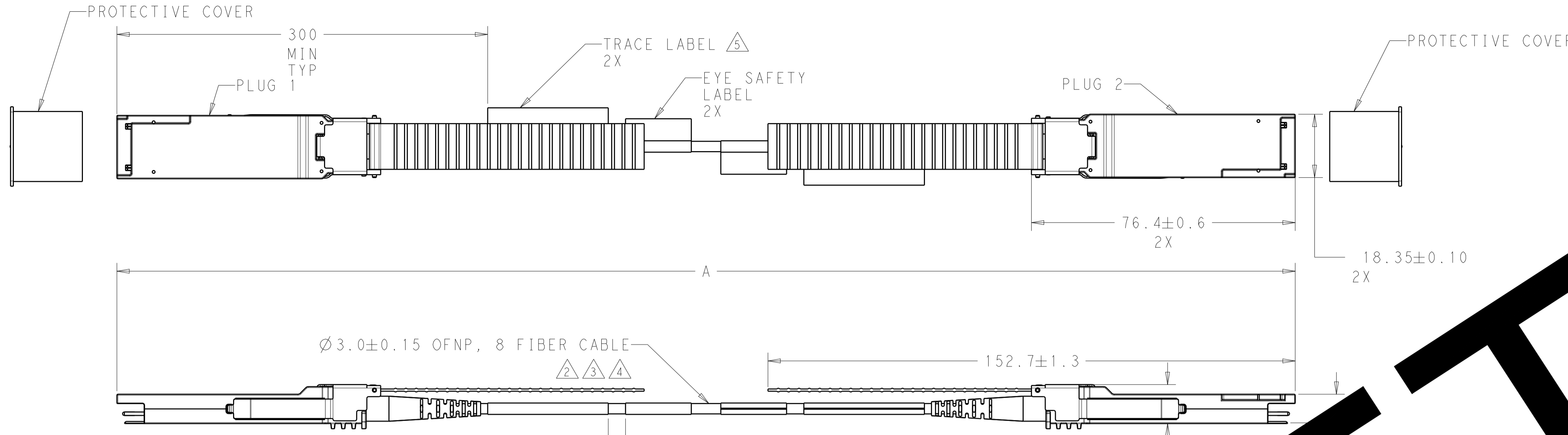
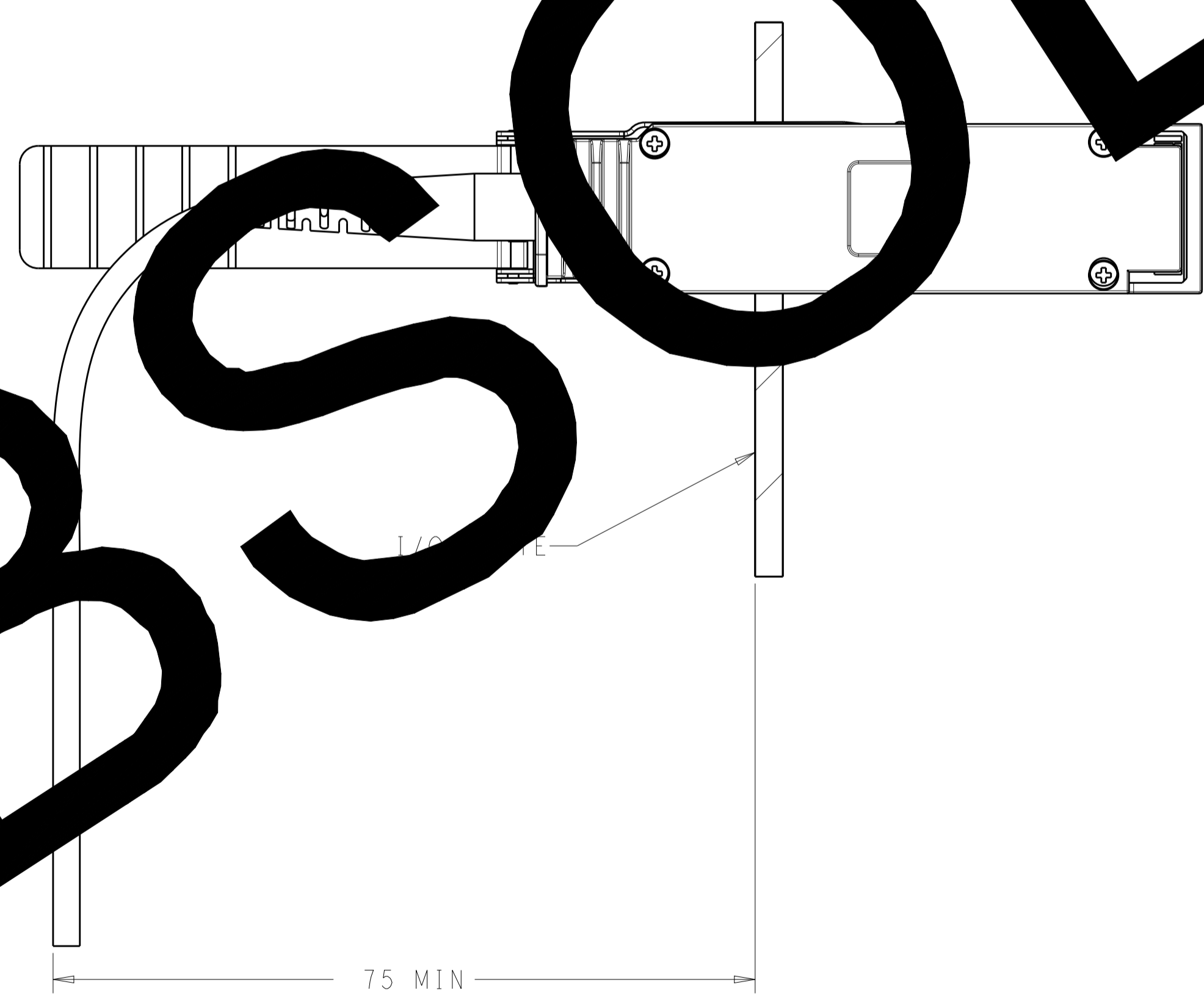
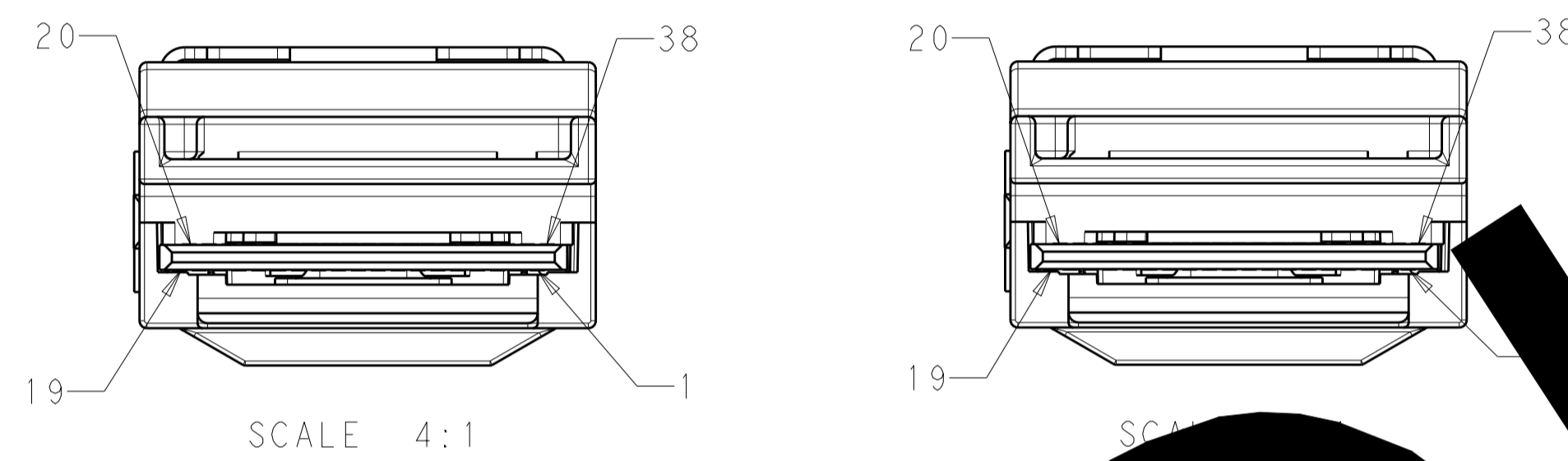
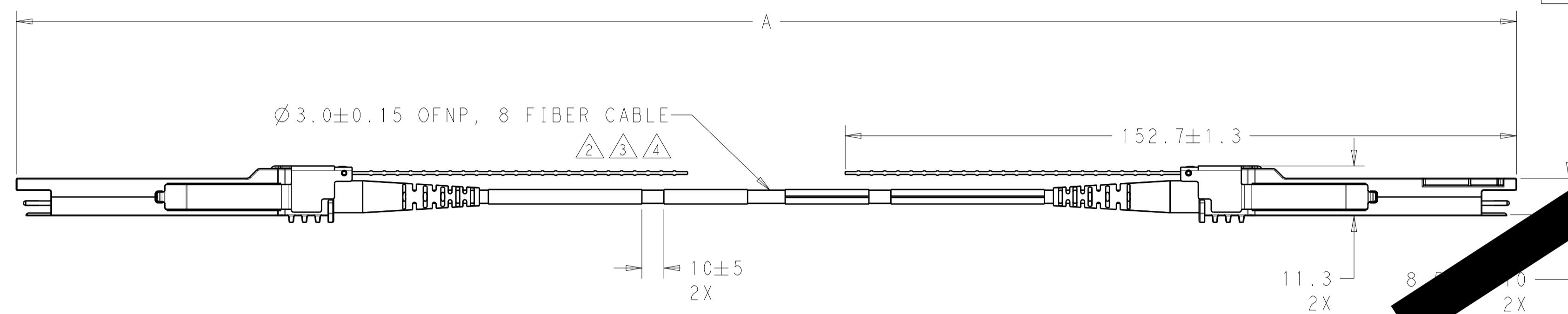


LOC	DIST	REVISIONS			
REV	DATE	BY	CHK	APPV	
G	05FEB2015	SW	RZ		
G1	08JUL2016	DEH	JC		



- CONFORMS TO 8-1773461-8 PRODUCT PERFORMANCE REQUIREMENTS, VERIFIED IN ACCORDANCE WITH 501-122042.
- CAUTION! CUTTING CABLE MAY RESULT IN HAZARDOUS RADIATION EMISSIONS.
- CONFORMS TO GR-409-CORE INTERCONNECT CABLE REQUIREMENTS.
- STANDARD OM2 CABLE TO BE USED FOR LENGTHS UP TO 30 METERS, OM3 CABLE FOR LENGTHS OVER 30 METERS.
- SEE TRACE LABEL FOR CABLE IDENTIFICATION.
- CHASSIS GROUND IS ISOLATED FROM SIGNAL GROUND (GND) IN THE CHASSIS AND CONNECTOR.
- THESE CABLES ARE NOT CARRIED THROUGH TO THE OTHER END, SINCE EACH END OF THE CABLE IS POWERED SEPARATELY.
- THE QSFP MODULES IMPLEMENT THE I<sup>2</sup>C INTERFACE DESCRIBED IN SFF-8636 REV 1.0.
- EEPROM PROGRAM NUMBER 2123909.EEPROM\_CD REV G. CONTAINS FIRMWARE REVISION 6.15.



OBSOLETE

21±0.21	2-2123909-4
19±0.19	2-2123909-3
18±0.18	2-2123909-2
17±0.17	2-2123909-1
16±0.16	2-2123909-0
14±0.15	1-2123909-9
13±0.15	1-2123909-8
12±0.15	1-2123909-7
11±0.15	1-2123909-6
9±0.15	1-2123909-5
8±0.15	1-2123909-4
7±0.15	1-2123909-3
1±0.15	1-2123909-2
100±0.15	1-2123909-1
50±0.50	1-2123909-0
40±0.40	2123909-9
30±0.30	2123909-8
25±0.25	2123909-7
20±0.20	2123909-6
15±0.15	2123909-5
10±0.15	2123909-4
5±0.15	2123909-3
3±0.15	2123909-2
2±0.15	2123909-1
$\Delta A / (m)$	PART NUMBER

THIS DRAWING IS A CONTROLLED DOCUMENT.

OWN: B. FAIR 13JUNE2013  
 CHK: B. BRIGGS 13JUNE2013  
 APVD: D. BAECHTLE 13JUNE2013

DIMENSIONS: mm  
 TOLERANCES UNLESS OTHERWISE SPECIFIED:  
 0 PLC ±  
 1 PLC ±  
 2 PLC ±  
 3 PLC ±  
 4 PLC ±  
 ANGLES ±  
 MATERIAL: -  
 FINISH: -

PRODUCT SPEC: -  
 APPLICATION SPEC: -  
 WEIGHT: -

Customer Drawing

NAME: 40GbE, QSFP+(10), PARALIGHT, AOCA  
 SIZE: A1  
 CAGE CODE: 100779  
 DRAWING NO: C=2123909  
 SCALE: 5:4  
 SHEET: 1 OF 2  
 REV: G1

TE Connectivity

LOC	DIST	REVISIONS			
P	LTN	DESCRIPTION	DATE	DWN	APVD
-	-	SEE SHEET 1	-	-	-

QSFP	
PIN NO.	SIGNAL
1	GND
2	Tx2n
3	Tx2p
4	GND
5	Tx4n
6	Tx4p
7	GND
8	ModSeIL
9	ResetL
10	Vcc Rx
11	SCL
12	SDA
13	GND
14	Rx3p
15	Rx3n
16	GND
17	Rx1p
18	Rx1n
19	GND
20	GND
21	Rx2n
22	Rx2p
23	GND
24	Rx4n
25	Rx4p
26	GND
27	ModPrsL
28	InTL
29	Vcc Tx
30	Vcc1
31	LPMode
32	GND
33	Tx3p
34	Tx3n
35	GND
36	Tx1p
37	Tx1n
38	GND

OBSOLETE

BAR CODE ———

S/N: BBBMMYYDDNNNNN

TE-AC02- = PREFIX (LAST SAFETY ID)  
 X-2123909-X = TE 171 PART NUMBER

TE-AC02-2123909-X  
 ASSEMBLED IN US OF  
 US AND OTHER COUNTRIES  
 COMPONENTS

**STE**  
 RHS

TE LOGO & CUSTOMER PRINT REV

TRIAL NUMBER BBBMMYYDDNNNNN  
 BB = BUILDING NUMBER  
 YY = MANUFACTURING LOCATION  
 DD = TWO DIGIT YEAR  
 NN = ORDINAL DATE  
 NN = FIVE DIGIT SERIAL NUMBER

COUNTRY OF ORIGIN  
 WHEN MANUFACTURED  
 OUTSIDE THE US LABEL  
 MUST READ "MADE IN XXXXX",  
 WHERE XXXXX REPRESENTS  
 THE COUNTRY OF MANUFACTURING.

TE-AC02- = PREFIX (LAST SAFETY ID)  
 X-2123909-X = TE 171 PART NUMBER

TE-AC02-2123909-X  
 ASSEMBLED IN US OF  
 US AND OTHER COUNTRIES  
 COMPONENTS

TE LOGO & CUSTOMER PRINT REV

NOTE: LAST SAFETY IDENTIFICATION IS BASED ON THE PREFIX AND THE ONLY MANUFACTURE VISIBLE ON THE LABEL.

THIS DRAWING IS A CONTROLLED DOCUMENT.		DWN B. FAIR 13JUNE2013	TE Connectivity
DIMENSIONS: mm		CHK B. BRIGGS 13JUNE2013	
TOLERANCES UNLESS OTHERWISE SPECIFIED:		APVD D. BAECHTLE 13JUNE2013	NAME 40GbE, QSFP+(10), PARALIGHT, AOCA
0 PLC ±		PRODUCT SPEC	SIZE CAGE CODE DRAWING NO
1 PLC ±		APPLICATION SPEC	RESTRICTED TO
2 PLC ±		WEIGHT	A100779C=2123909
3 PLC ±		Customer Drawing	SCALE 5:4 SHEET 2 OF 2 REV G1
4 PLC ±			
ANGLES ±			
FINISH			