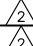
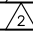
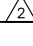
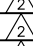
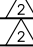
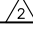
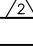
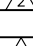
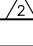
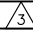
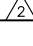
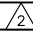
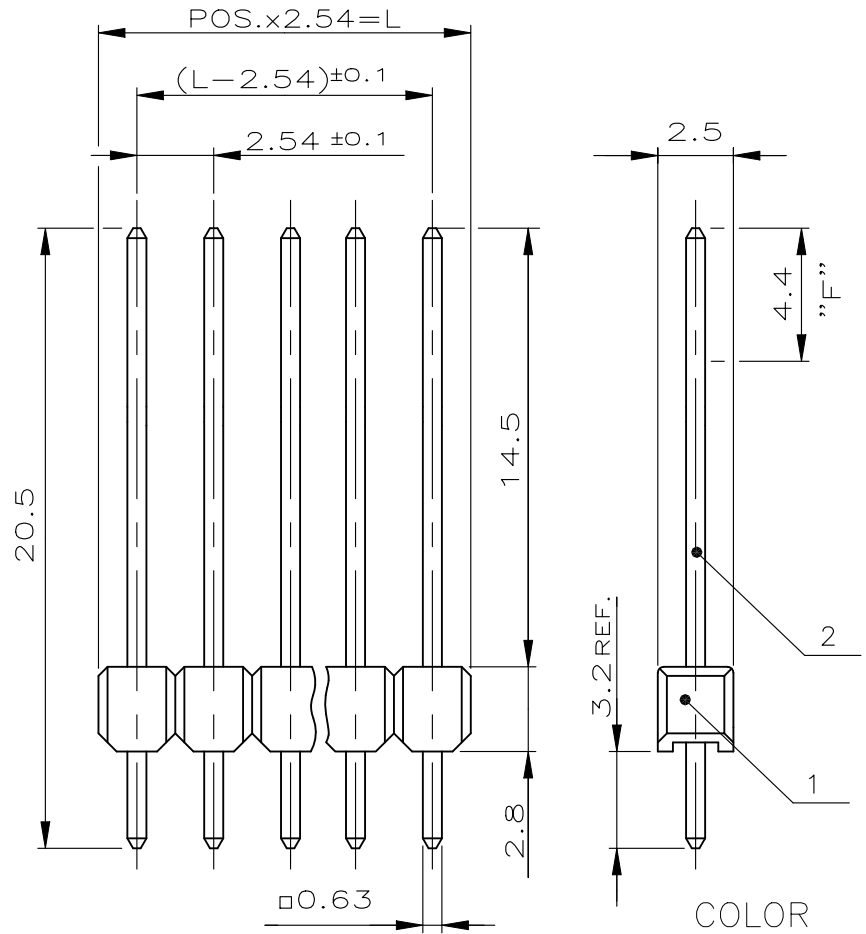



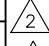
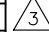
REVISIONS


P	LTR	DESCRIPTION	DATE	DWN	APVD
	J1	NOTE 1 0.76μm PLATING UPDATE (PdNi+AuFLASH)	10JUL2023	BGC	PS

POS.	L±0.4	PART NUMBER
-	-	-
2	5.08	 827261-2
3	7.62	 -3
4	10.16	-4
5	12.70	-5
6	15.24	 -6
7	17.78	-7
8	20.32	-8
9	22.86	 -9
10	25.40	 1-0
11	27.94	 1-1
12	30.48	1-2
13	33.02	1-3
14	35.56	1-4
15	38.10	 1-5
16	40.64	1-6
17	43.18	1-7
18	45.72	 1-8
19	48.26	1-9
20	50.80	 2-0
21	53.34	2-1
22	55.88	 2-2
23	58.42	2-3
24	60.96	2-4
25	63.50	2-5
26	66.04	2-6
27	68.58	2-7
28	71.12	2-8
29	73.66	2-9
30	76.20	 3-0
31	78.74	3-1
32	81.28	 3-2
33	83.82	3-3
34	86.36	3-4
35	88.90	3-5
36	91.44	3-6
37	93.98	3-7
38	96.52	3-8
39	99.06	3-9
40	101.60	4-0
41	104.14	4-1
42	106.68	4-2
43	109.22	4-3
44	111.76	4-4
45	114.30	4-5
46	116.84	4-6
47	119.38	4-7
48	121.92	4-8
49	124.46	4-9
50	127.00	5-827261-0






NOTES:

-  MATING SIDE: MIN 0.76μm (PdNi + Au FLASH) OVER 1.27μm Ni AT CONTACT AREA "F"  
(Alternative plating - Min 0.76μm Au plating OVER 1.27μm Ni)
- SOLDER SIDE: MIN. 2.5μm TIN OVER Min1.27μm NICKEL
-  OBSOLETE
-  OBSOLETE PARTS: OBSOLETE CIS STREAMLINING PER D.RENAUD/D.SINISI

CONTACT PIN	CuZn		2
PIN HOUSING	PBT	GREEN	1
DESCRIPTION	MATERIAL	COLOR	ITEM NUM

TE Connectivity. All Rights Reserved.



DIMENSIONS: mm	DWN	31AUG1989	MATERIAL	SEE TABLE	FINISH	-
	CHK	WRULICH				
TOLERANCES UNLESS OTHERWISE SPECIFIED: ±0.2mm	APVD	SCHAAR				
	PRODUCT SPEC					
0 PLC ± -		108-18012	NAME	AMPMODU II PIN HEADER, SINGLE ROW		
1 PLC ± -			SIZE	CAGE CODE	DRAWING NO	RESTRICTED TO
2 PLC ± -			A4	00779	 827261	-
3 PLC ± -						
4 PLC ± -						
ANGLES ± -						
	WEIGHT	-				
 	CUSTOMER DRAWING		SCALE	4:1	SHEET	1 OF 1
						REV J1