

SAC-3P- 1,5-116/A-1L-Z - Sensor/actuator cable



1453371

<https://www.phoenixcontact.com/us/products/1453371>

Please be informed that the data shown in this PDF document is generated from our online catalog. Please find the complete data in the user documentation. Our general terms of use for downloads are valid.



Sensor/actuator cable, 3-position, free cable end, on Valve connector A, with 1 LED, connected with Z diode, cable length: 1.5 m

Commercial data

Item number	1453371
Packing unit	1 pc
Minimum order quantity	1 pc
Sales key	BF07
Product key	BF1DAA
GTIN	4046356552950
Weight per piece (including packing)	103.1 g
Weight per piece (excluding packing)	101.6 g
Customs tariff number	85444290
Country of origin	PL

1453371

<https://www.phoenixcontact.com/us/products/1453371>

Technical data

Product properties

Product type	Sensor/actuator cable with valve connector
Number of positions	3
No. of cable outlets	1

Insulation characteristics

Overvoltage category	III
Degree of pollution	3

Material specifications

Flammability rating according to UL 94	V0
Seal material	TPU
Material housing valve plug	TPU
Contact material	CuSn
Valve plug contact insert material	PA 6.6
Contact surface material	Sn

Electrical properties

Contact resistance	$\leq 5 \text{ m}\Omega$
Insulation resistance	$\geq 100 \text{ M}\Omega$
Nominal voltage U_N	24 V AC
	24 V DC
Nominal current I_N	4 A
Protective circuit	Z diode

Signaling

Status display	1 LED
Status display present	Yes

Connector

Connection 1

Type	free cable end
------	----------------

Connection 2

Type	Valve connector A
Number of positions	3
Material	CuSn (Contact)
	Sn (Contact surface)
	PA 6.6 (Contact carriers)
	TPU (Housing)
Number of positions	3


SAC-3P- 1,5-116/A-1L-Z - Sensor/actuator cable



1453371

<https://www.phoenixcontact.com/us/products/1453371>

Cable/line

Cable length	1.5 m
PUR/PVC, 0.75 mm ² , black [116]	
Dimensional drawing	
Cable weight	53.4 kg/km
UL AWM Style	20549
Number of positions	3
Shielded	no
Cable type	PUR/PVC, 0.75 mm ² , black [116]
Conductor structure signal line	24x 0.20 mm
AWG signal line	18
Conductor cross section	3x 0.75 mm ²
Wire diameter incl. insulation	1.7 mm ±0.05 mm
External cable diameter	5.8 mm ±0.2 mm
Outer sheath, material	PUR
External sheath, color	black RAL 9005
Conductor material	Bare Cu litz wires
Material wire insulation	PVC
Single wire, color	black 1, black 2, green/yellow
Overall twist	3 wires, twisted
Max. conductor resistance	26 Ω/km (at 20 °C)
Insulation resistance	≥ 20 MΩ*km
Nominal voltage, cable	300 V
Test voltage	1200 V
Minimum bending radius, fixed installation	5 x D
Minimum bending radius, flexible installation	10 x D
Max. bending cycles	1000000
Flame resistance	DIN VDE 0482 DIN EN 50265-2-1 in acc. with UL FT-2
Resistance to oil	in accordance with DIN EN 60811-2-1
Other resistance	Low adhesion
Special properties	flexible
Ambient temperature (operation)	-40 °C ... 80 °C (cable, fixed installation) -5 °C ... 80 °C (Cable, flexible installation)

SAC-3P- 1,5-116/A-1L-Z - Sensor/actuator cable



1453371

<https://www.phoenixcontact.com/us/products/1453371>

Environmental and real-life conditions

Ambient conditions

Degree of protection	IP65
	IP67
Ambient temperature (operation)	-20 °C ... 85 °C (valve plug)

Standards and regulations

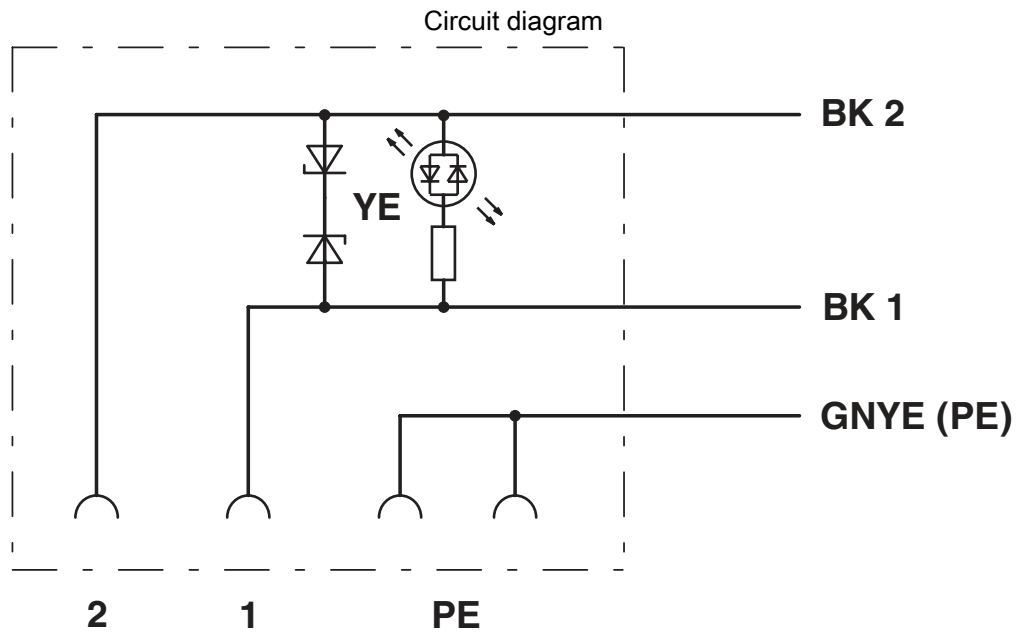
Standard designation	Valve connector
Standards/specifications	EN 175301-803

SAC-3P- 1,5-116/A-1L-Z - Sensor/actuator cable

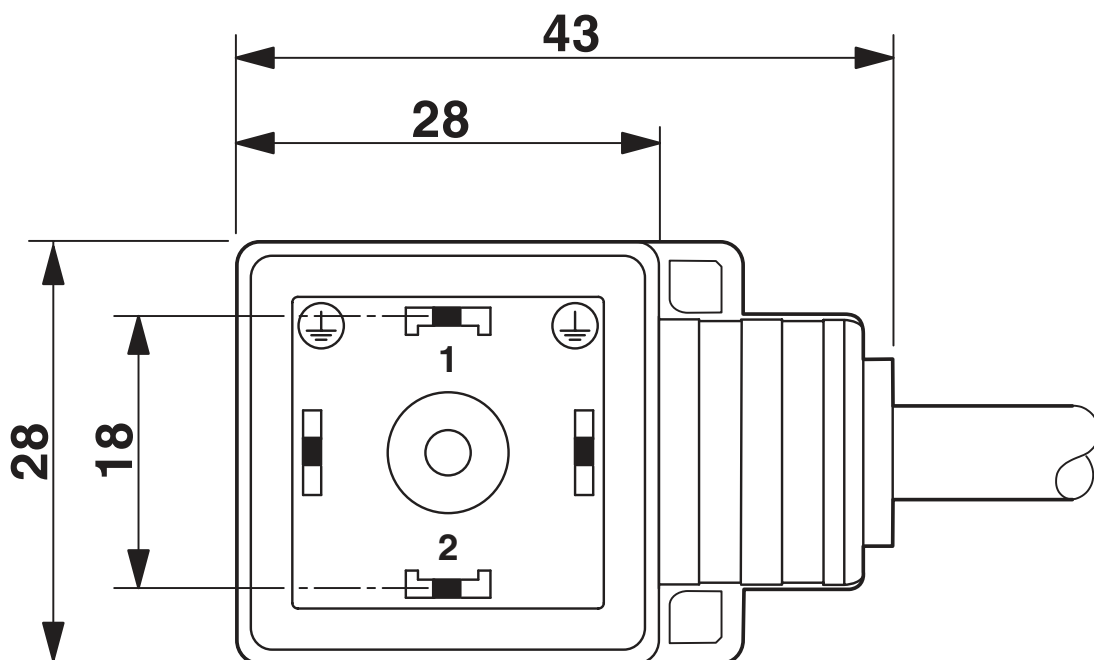
1453371

<https://www.phoenixcontact.com/us/products/1453371>

Drawings



Dimensional drawing



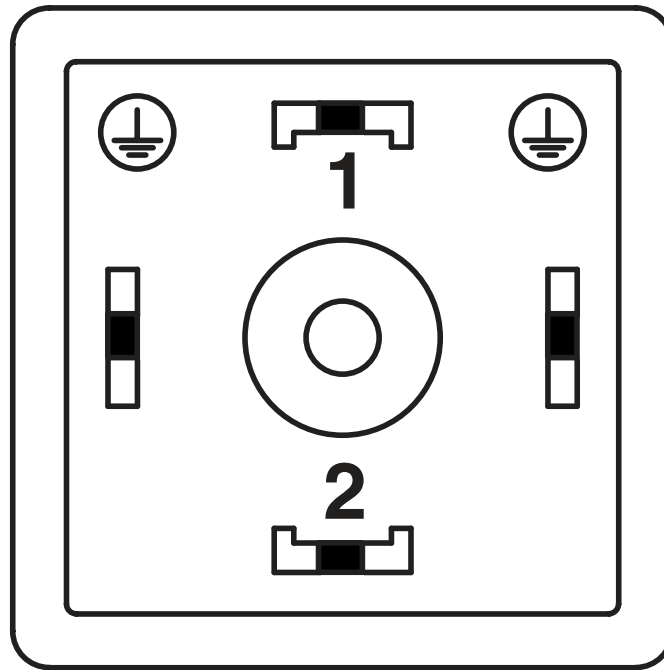
Valve connector, type A

SAC-3P- 1,5-116/A-1L-Z - Sensor/actuator cable

1453371

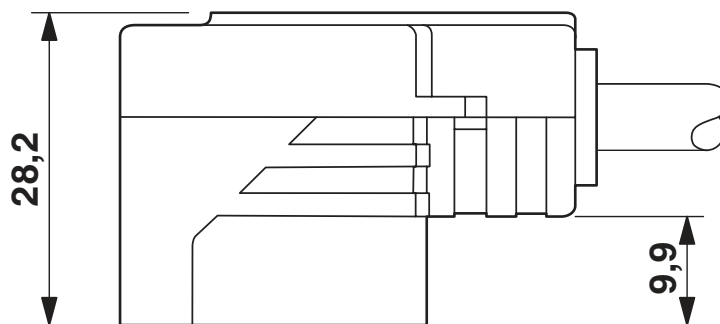
<https://www.phoenixcontact.com/us/products/1453371>

Schematic diagram



Valve connector pin assignment, type A

Dimensional drawing



Valve connector, type A, side view

SAC-3P- 1,5-116/A-1L-Z - Sensor/actuator cable





1453371

<https://www.phoenixcontact.com/us/products/1453371>

Approvals

To download certificates, visit the product detail page: <https://www.phoenixcontact.com/us/products/1453371>

 CSA Approval ID: 13631				
	Nominal voltage U_N	Nominal current I_N	Cross section AWG	Cross section mm^2
	24 V	4 A	-	-

 CSAus Approval ID: 13631				
	Nominal voltage U_N	Nominal current I_N	Cross section AWG	Cross section mm^2
	24 V	4 A	-	-

cCSAus				
---------------	--	--	--	--

SAC-3P- 1,5-116/A-1L-Z - Sensor/actuator cable



1453371

<https://www.phoenixcontact.com/us/products/1453371>

Classifications

ECLASS

ECLASS-11.0	27060312
ECLASS-12.0	27060312
ECLASS-13.0	27060312

ETIM

ETIM 8.0	EC001855
----------	----------

UNSPSC

UNSPSC 21.0	31251500
-------------	----------

SAC-3P- 1,5-116/A-1L-Z - Sensor/actuator cable



1453371

<https://www.phoenixcontact.com/us/products/1453371>

Environmental product compliance

China RoHS	Environmentally Friendly Use Period = 50 years For information on hazardous substances, refer to the manufacturer's declaration available under "Downloads"
------------	--

SAC-3P- 1,5-116/A-1L-Z - Sensor/actuator cable



1453371

<https://www.phoenixcontact.com/us/products/1453371>

Accessories

SAC-V-SCREW-M3-29 KNURL - Screw

1403779

<https://www.phoenixcontact.com/us/products/1403779>

Fillister head screw with plastic knurl, M3 x 40



PABA WH/23 - Insert label

1013779

<https://www.phoenixcontact.com/us/products/1013779>

Insert label, Strip, white, unlabeled, can be labeled with: CMS-P1-PLOTTER, mounting type: slide-on, cable diameter range: 1.5 ... 35 mm, lettering field size: 23 x 4 mm, Number of individual labels: 20



SAC-3P- 1,5-116/A-1L-Z - Sensor/actuator cable



1453371

<https://www.phoenixcontact.com/us/products/1453371>

PABA YE/23 - Insert label

1013782

<https://www.phoenixcontact.com/us/products/1013782>



Insert label, Strip, yellow, unlabeled, can be labeled with: CMS-P1-PLOTTER, mounting type: slide-on, cable diameter range: 1.5 ... 35 mm, lettering field size: 23 x 4 mm, Number of individual labels: 20

B-STIFT - Marker pen

1051993

<https://www.phoenixcontact.com/us/products/1051993>



Marker pen, for manual labeling of unprinted Zack strips, smear-proof and waterproof, line thickness 0.5 mm

SAC-3P- 1,5-116/A-1L-Z - Sensor/actuator cable



1453371

<https://www.phoenixcontact.com/us/products/1453371>

CUTFOX-S VDE - Diagonal cutter

1212207

<https://www.phoenixcontact.com/us/products/1212207>



Diagonal cutter for hard (piano wire) and soft wires, VDE 1000 V AC/1500 V DC tested

WIREFOX SAC-1 - Stripping tool

1212757

<https://www.phoenixcontact.com/us/products/1212757>



Stripping pliers, for halogen-free sensor/actuator cables (SAC cables), with PUR and PVC insulation, from Ø of 3.2 to 4.4 mm, any stripping length

SAC-3P- 1,5-116/A-1L-Z - Sensor/actuator cable



1453371

<https://www.phoenixcontact.com/us/products/1453371>

WIREFOX SAC - Stripping tool

1212623

<https://www.phoenixcontact.com/us/products/1212623>



Stripping pliers, for halogen-free sensor/actuator cables (SAC cables), with PUR and PVC insulation, from Ø of 4.4 to 7 mm, any stripping length

WIREFOX 10 - Stripping tool

1212150

<https://www.phoenixcontact.com/us/products/1212150>



Stripping tool, for cables and conductors from 0.02 - 10 mm², self-adjusting, stripping length of up to 18 mm, cutting capacity of up to 10 mm² stranded/1.5 mm² solid, replaceable stripping blade

SAC-3P- 1,5-116/A-1L-Z - Sensor/actuator cable

1453371

<https://www.phoenixcontact.com/us/products/1453371>



WP-CTA POM 13,0 BK - Protective hose adapter

1422884

<https://www.phoenixcontact.com/us/products/1422884>



Protective hose adapter, for corrugated hoses with a nominal size of 13 (10 x 13), corrugated in parallel

WP-PA HF 13,0 BK - Protective hose

3240681

<https://www.phoenixcontact.com/us/products/3240681>



Protective hose, material: PA 6, UV-resistant: yes, flexible, degree of protection: IP68, color: black, flammability rating in acc. with UL 94: V0, inner diameter: 10 mm, Total length: 50 m

SAC-3P- 1,5-116/A-1L-Z - Sensor/actuator cable

1453371

<https://www.phoenixcontact.com/us/products/1453371>



WP-PA HF-HB 13,0 BK - Protective hose

3240839

<https://www.phoenixcontact.com/us/products/3240839>



Protective hose, material: PA 6, UV-resistant: yes, flexible, degree of protection: IP68, color: black, flammability rating in acc. with UL 94: HB, inner diameter: 10 mm, Total length: 50 m

TSD-M 1,2NM - Torque screwdriver

1212224

<https://www.phoenixcontact.com/us/products/1212224>



Torque screw driver, accuracy as per EN ISO 6789 standard, adjustable from 0.3 - 1.2 Nm

SAC-3P- 1,5-116/A-1L-Z - Sensor/actuator cable

1453371

<https://www.phoenixcontact.com/us/products/1453371>



SF-BIT-PH 1-70 - Screw insert

1212582

<https://www.phoenixcontact.com/us/products/1212582>



Screw bit, PH crosshead, E6.3-1/4" drive, size: PH 1 x 70 mm, hardened, suitable for holder according to DIN 3126-F6.3/ISO 1173

Phoenix Contact 2023 © - all rights reserved

<https://www.phoenixcontact.com>

Phoenix Contact USA
586 Fulling Mill Road
Middletown, PA 17057, United States
(+717) 944-1300
info@phoenixcon.com