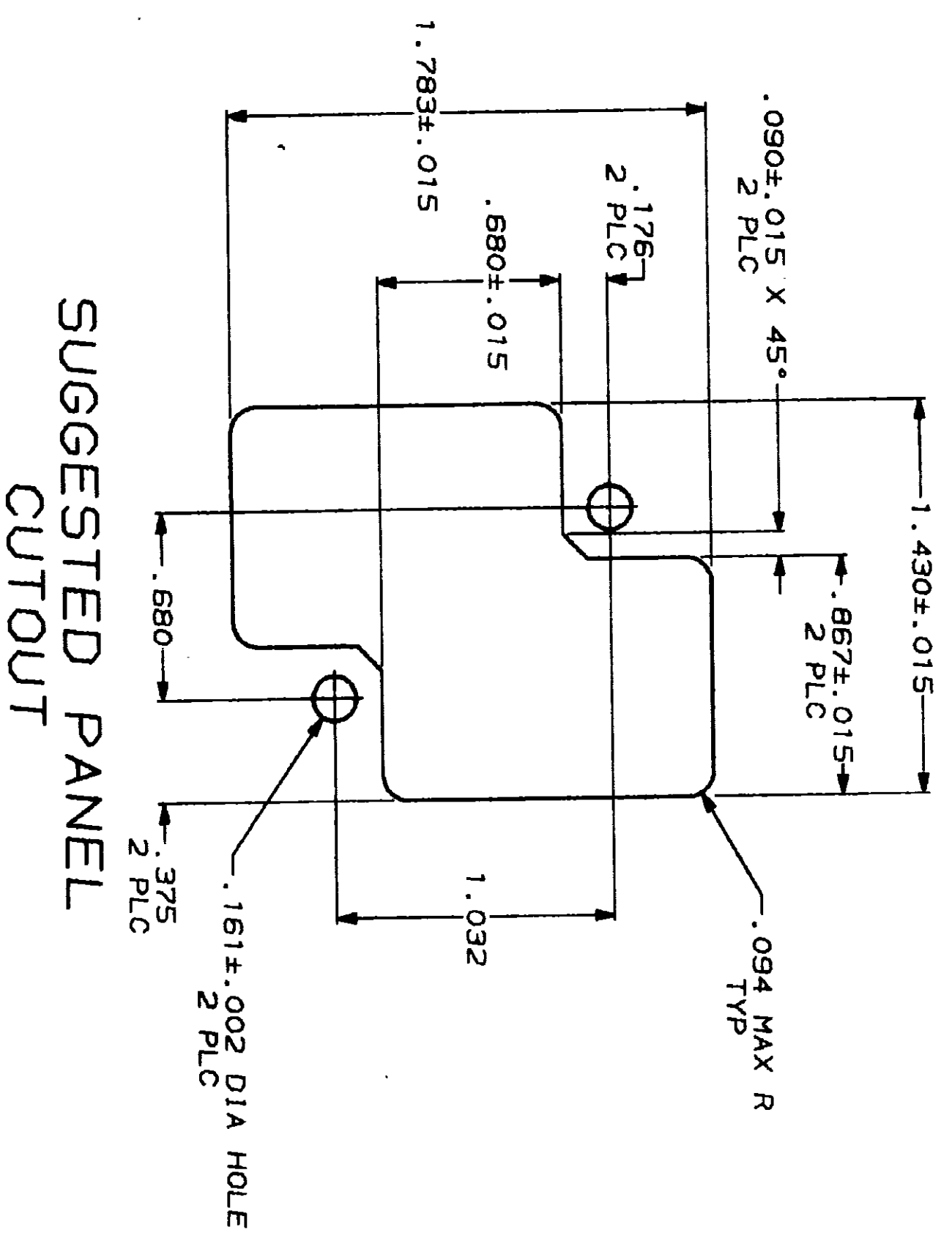
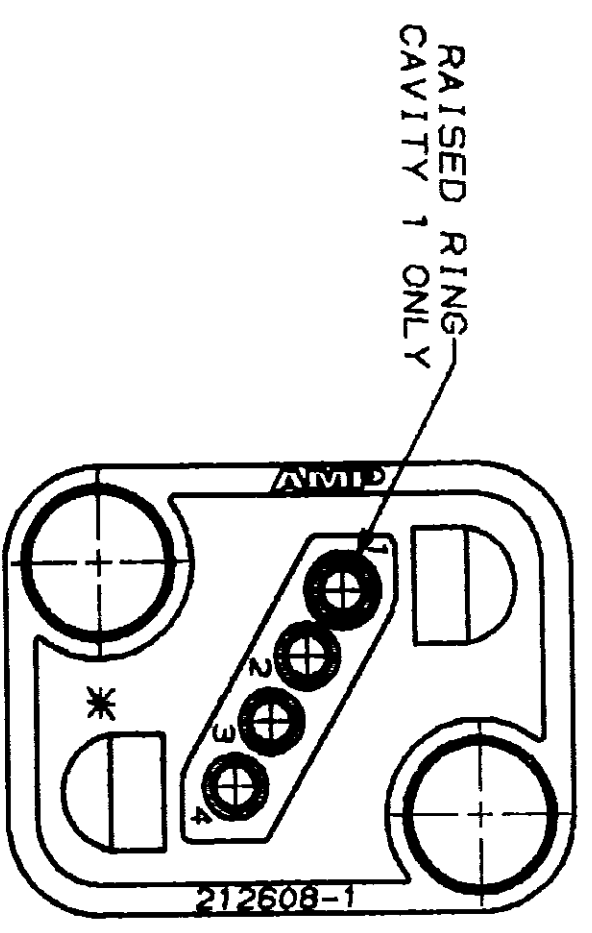
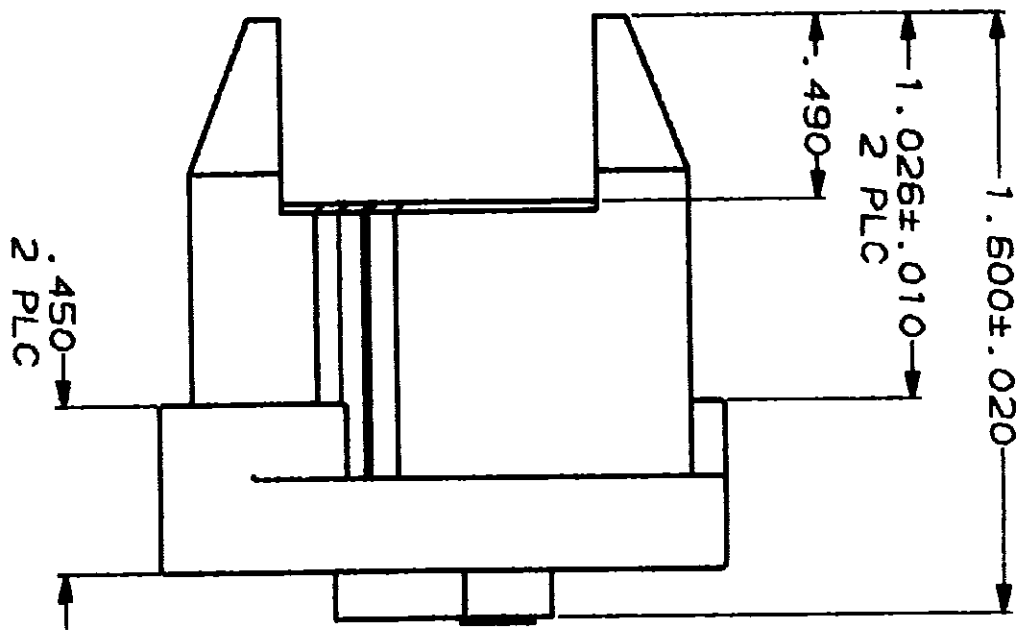
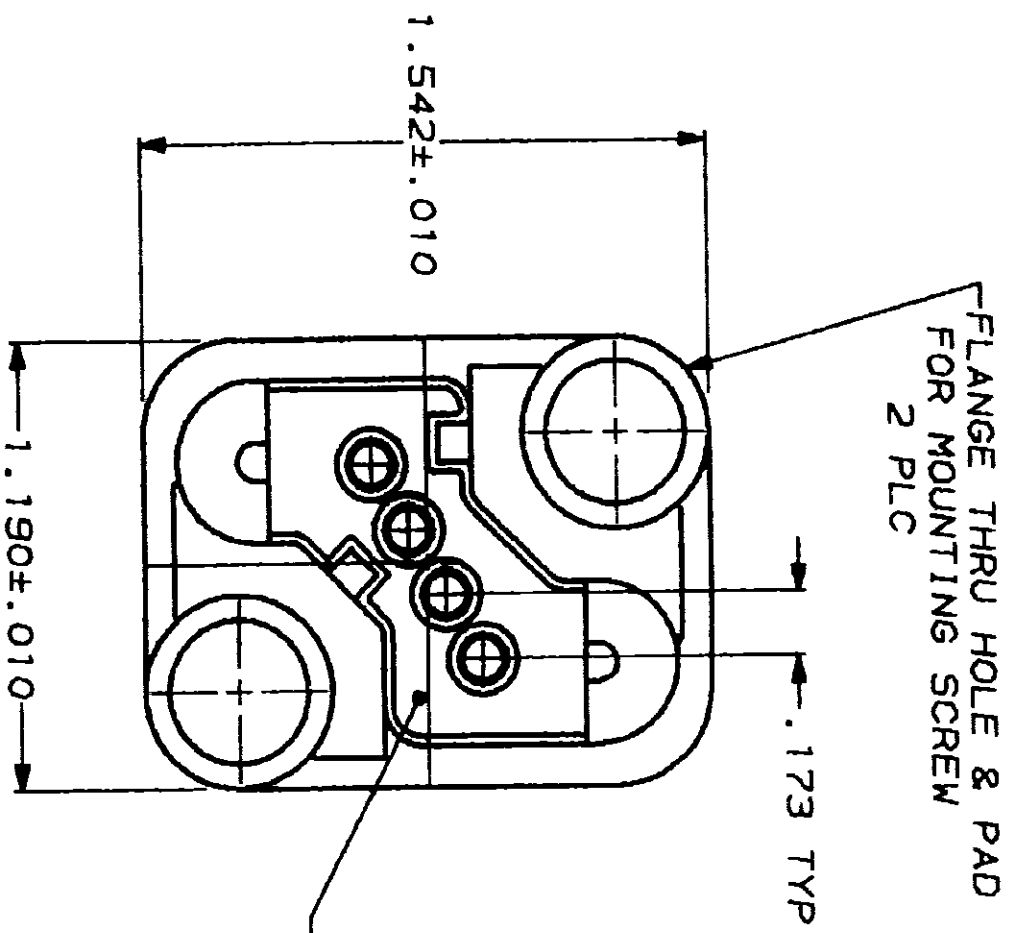


DRAWING MADE IN THIRD ANGLE PROJECTION
 THIS DRAWING IS UNPUBLISHED. RELEASED FOR PUBLICATION
 BY AMP INCORPORATED. ALL INTERNATIONAL RIGHTS RESERVED.
 © COPYRIGHT 1981

| REV | BY | DATE | DESCRIPTION |
|-----|----|------|----------------------------|
| 1 | BD | 39 | REDRAWN AND REV ECN BD5024 |



1. THIS CONNECTOR MATES WITH PIN HOUSING NUMBER 212609.
2. FOR MOUNTING SCREW INFORMATION SEE DRAWING NUMBER 208211.

| | | | | | |
|---|--|---|--|---|--|
| DO NOT SCALE PRINT. UNLESS SPECIFIED DIMENSIONS IN INCHES TOLERANCES ON: 2 PLC DEC ± .005 3 PLC DEC ± .005 ANGLES MATERIAL THERMOPLASTIC BLACK | | DR 05/07/91 R. SHINEY CHK - R. Shine 5-13-91 APPD A. LEAVY 5/14/91 PRODUCT SPEC APPLICATION SPEC WEIGHT | | NAME AMP AMP Incorporated Harrisburg, PA 17105-3608 | |
| FINISH - | | SIZE CAGE CODE 00779 | | DRAWING NO 212608 | |
| SCALE 2:1 | | SHEET 1 OF 1 | | PART NO 212608-1 | |

PLUG HOUSING, DRAWER CONNECTOR,
 4 POSITION, METRIMATE

CUSTOMER DRAWING