

| | | | | | | | | | | | | |
|---|-----------------------------------|---|-------------------|-------------------|-------------------|-----------------|-----------------|-----------------|------|------|------|--|
| Number of contacts | Standard | 2+3 ¹⁾ | 4 | 5 | 5S | 6 | 7 | 7 | 8 | 12 | 14 | |
| Contact arrangement | DIN EN 61076-2-106 | 03-a | 04-a | 05-a | 05-b | 06-a | 07-a | 07-b | 08-a | 12-a | 14-a | |
| Contact arrangement | IEC 60130-9 ²⁾ | | | - | | | - | | | | | |
| Rated voltage ³⁾ | IEC 60664-1 | 300 V (100 V) | 300 V (63 V) | 100 V (32 V) | 300 V (63 V) | 100 V (32 V) | 150 V (32 V) | | | | | |
| Rated voltage | UL 1977 | 250 V | | | | | | 60 V | | | | |
| Rated impulse withstand voltage ³⁾ | IEC 60664-1 | 1500 V (840 V) | 1200 V (500 V) | 1500 V (840 V) | 1200 V (500 V) | | | | | | | |
| Pollution degree ³⁾ | IEC 60664-1 | 1 (2) | | | | | | | | | | |
| Installation category | IEC 60664-1 | I | | | | | | | | | | |
| Insulation group | IEC 60664-1 | II, 400 ≤ CTI < 600 | | | | | | | | | | |
| Current rating | IEC 60512-5-2 UL 1977 | 5A/+40°C/+104°F | | | | | | 3A/+40°C/+104°F | | | | |
| Insulation resistance | IEC 60512-3-1 | >10 ¹⁰ Ω ⁴⁾ | | | | | | | | | | |
| Contact resistance | IEC 60512-2-1 | <5m Ω | | | | | | | | | | |
| Climatic category | IEC 60668-1 | 40 / 100 / 56 | | | | | | | | | | |
| Temperatur range | IEC 60668-1 | -40°C...+100°C / -40°F...+212°F | | | | | | | | | | |
| IP degree | IEC 60529 | IP 40 | | | | | | | | | | |
| Insertion and withdrawal force | IEC 60512-13-2 | 25N | 30N | 35N | 50N | 55N | 60N | 50N | | | | |
| Mechanical operation | IEC 60512-9-1 | gold ≥1000 mating cycles | | | | | | | | | | |
| Housing material | | brass and / or zinc die cast, nickel plated | | | | | | | | | | |
| Dielectric material | | thermoplastic | | | | | | | | | | |
| Contacts | | gold plated | | | | | | | | | | |
| Termination technique | | solder | | | | | | | | | | |
| Flamability | | UL 94 V0 | | | | | | | | | | |
| locking system | IEC 60130-9 DIN EN 61076-2-106 | metal screw coupling; tightening torque 0,7Nm | | | | | | | | | | |

¹⁾ 2 contact version: contact loading 1+3
²⁾ Edition 2000-05
³⁾ values in brackets are according to DIN EN 61076-2-106
⁴⁾ under operating conditions >10⁸ Ohm
 All technical data have been measured in a laboratory environment and can be different during practical usage of the product. Any product information is for descriptive usage only and not legally binding; particularly the information does not constitute or provide any legal guaranties. Do not connect or disconnect under load. Metal housing parts shall be securely incorporated to protected ground. Parts according to directive 2002/95/EG (RoHS).
 Remark for gold plated contacts:
 In order to avoid brittle inter-metallic connections, gold plated terminals have to be tin-plated in the solder area.

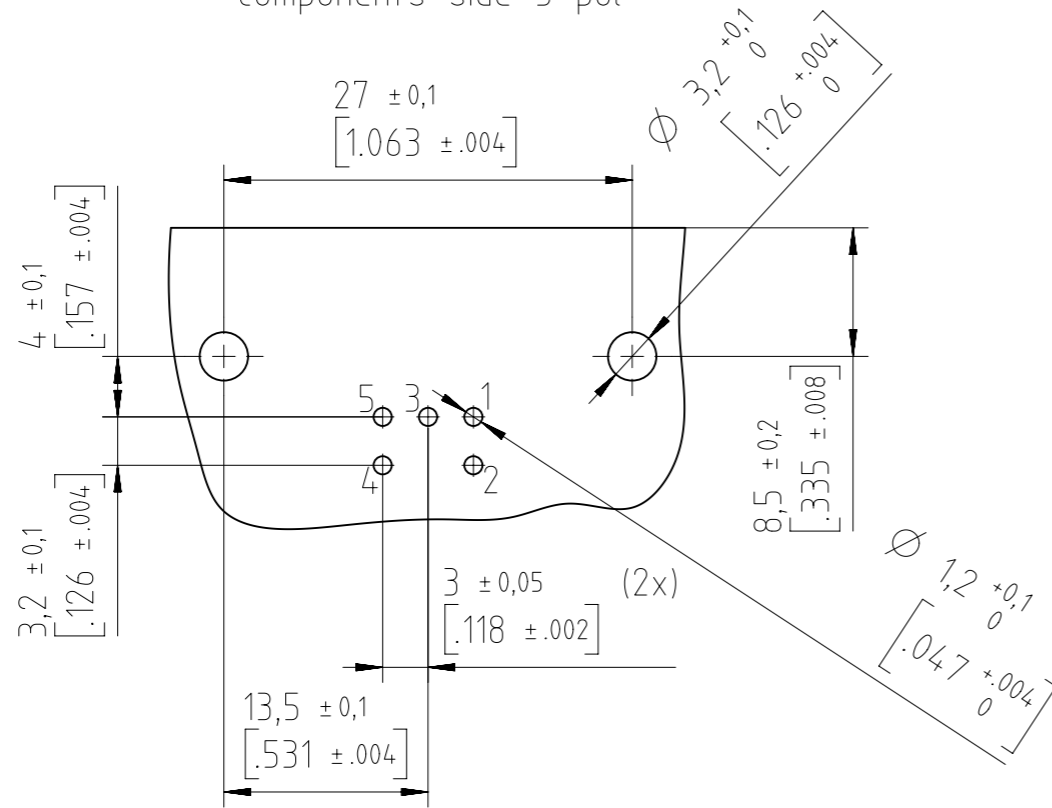
| | | | |
|---|--------------------|-------------------|-------------------|
| | 14 (14-a) | - | - |
| | 12 (12-a) | - | - |
| | 8 (08-a) | - | - |
| | 7 (07-b) | - | - |
| | 7 (07-a) | - | - |
| | 6 (06-a) | T 3403 218 U | T 3403 228 U |
| | 5 (05-b) | - | - |
| | 5 (05-a) | T 3363 218 U | T 3363 228 U |
| | 4 (04-a) | - | - |
| | 2+3 (03-a) | - | - |
| Contact arrangement View on mating side | Number of contacts | A = 3,0 [.118] | A = 8,3 [.327] |

| | | | | |
|---|---|---|------------------|----------------------------|
| Gewicht (errechnet) / Calc WT: 0,013 kg | Zul. Abw./Tolerances: | Maßstab / Scale: 2:1 | A3 | |
| Prüfmaß / Testdimension | | CUSTOMER DRAWING | | |
| Teilindex Partindexnumber | DIN / ISO 13715 | Gerätedose 90° Befestigungsflansch female receptacle | | |
| | Datum/Date | Name | | |
| | 26.08.2015 | IMOHR | | |
| | Status: Released | | | |
| | Inspector: 27.08.2015 MGRIM | | | |
| | Amphenol-Tuchel Electronics GmbH | | Blatt/Sheet 1 | |
| 01 | 201500617 | 26.08.2015 | IMOHR | 2 Bl. |
| Index | Änderung/Description | Datum/Date | Name | Ers. f. / Replacement for: |
| | | | 4.032.967 | |

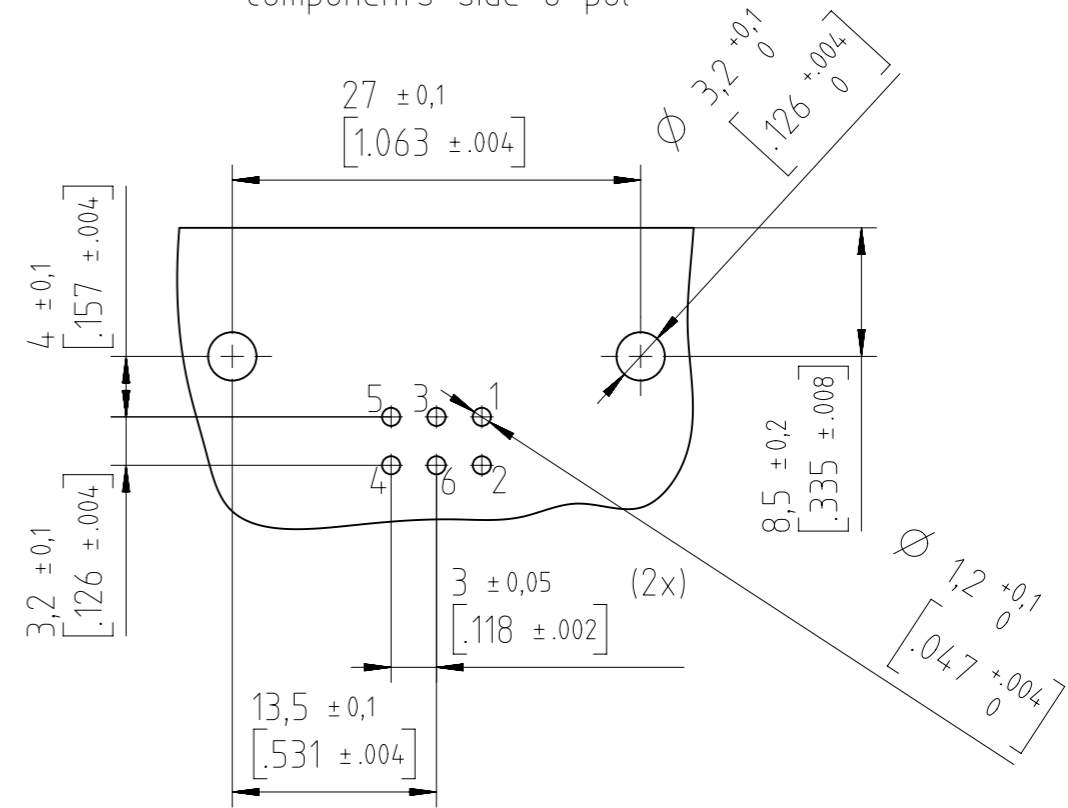
Weitergabe sowie Vervielfältigung dieser Unterlage, Verwertung und Mitteilung ihres Inhalts nicht gestattet, soweit nicht ausdrücklich zugestanden. Zuwiderhandlungen verpflichten zu Schadenersatz. Alle Rechte für den Fall der Patenterteilung oder Gebrauchsmuster-Eintragung vorbehalten.

Copying of this document and giving it to others and the use or communication of the contents thereof, are forbidden without express authority. Offenders are liable to the payment of damages. All rights are reserved in the event of the grant of a patent or the registration of the utility model or design.

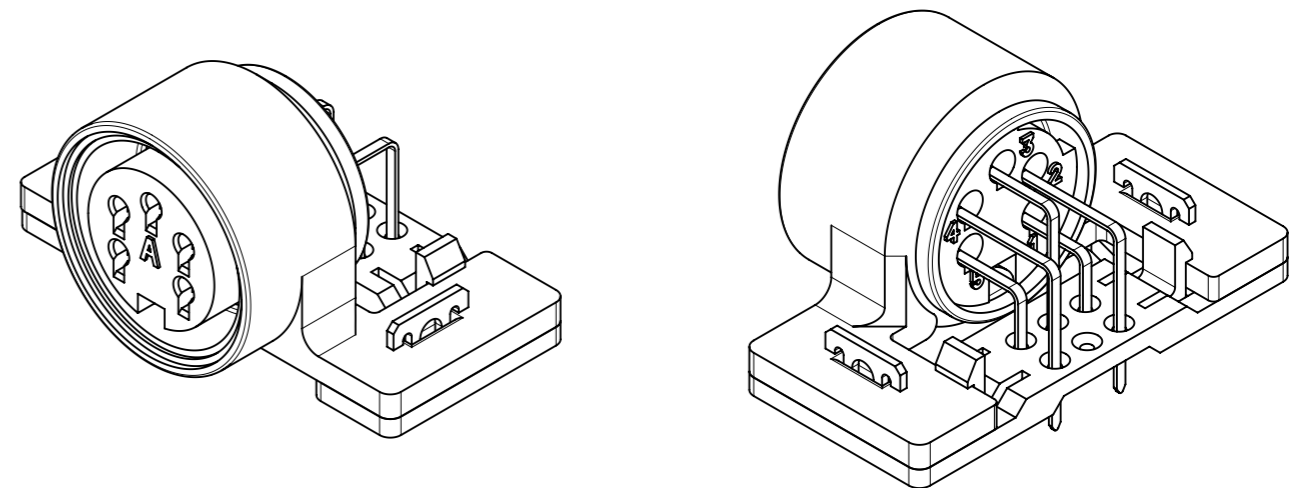
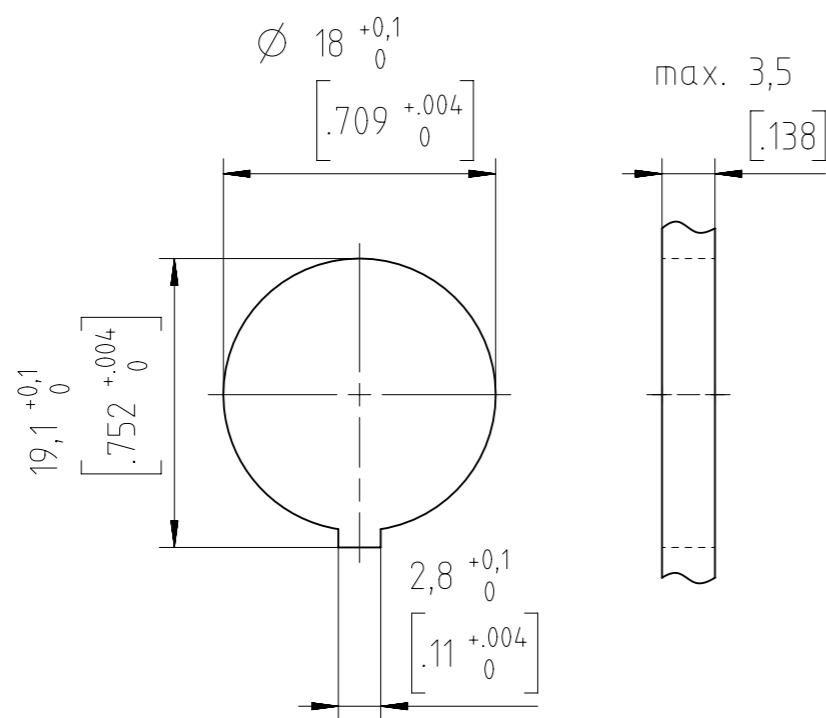
PCB-Layout
components side 5 pol



PCB-Layout
components side 6 pol



Panel cutout



Weitergabe sowie Vervielfältigung dieser Unterlage, Verwertung und Mitteilung ihres Inhalts nicht gestattet, soweit nicht ausdrücklich zugestanden. Zuwiderhandlungen verpflichten zu Schadensersatz. Alle Rechte für den Fall der Patenterteilung oder Gebrauchsmuster-Eintragung vorbehalten.

| | | | | | | | |
|---|----------------------|----------------------------------|-------|-----------------------|--|----------------------------------|--|
| Gewicht (errechnet) / Calc WT: 0,013 kg | | Zul. Abw./Tolerances: | | Maßstab / Scale: 2:1 | | A3 | |
| Prüfmaß / Testdimension | | ± 0,10 | | DIN / ISO 13715 | | CUSTOMER DRAWING | |
| Teileindex | | ∠ ± 1,0° | | Datum/Date | | Gerätedose 90° Montageausschnitt | |
| Partindexnumber | | Gez. Drawn | | Name | | female receptacle panel cutout | |
| | | 26.08.2015 | | IMOHR | | | |
| | | Status: Released | | Inspector: 27.08.2015 | | MGA T 3XXX 2X8 U | |
| | | Inspector: 27.08.2015 | | MGRIM | | Blatt/Sheet 2 | |
| | | Amphenol-Tuchel Electronics GmbH | | | | 2 Bl. | |
| 01 | 201500617 | 26.08.2015 | IMOHR | 4.032.967 | | Ers. f. l. Replacement for: | |
| Index | Änderung/Description | Datum/Date | Name | | | | |