



**TECHNICAL SPECIFICATIONS**  
 Material: Zinc  
 Plating: Nickel  
 Operating Temperature: -25°C to +90°C  
 Thumbscrews: UNC 4-40  
 Max cable ØF:  
 With Rubber Grommet: 6.5mm  
 W/O Rubber Grommet: 9.5mm  
 No. of contacts: 09-15-25-37

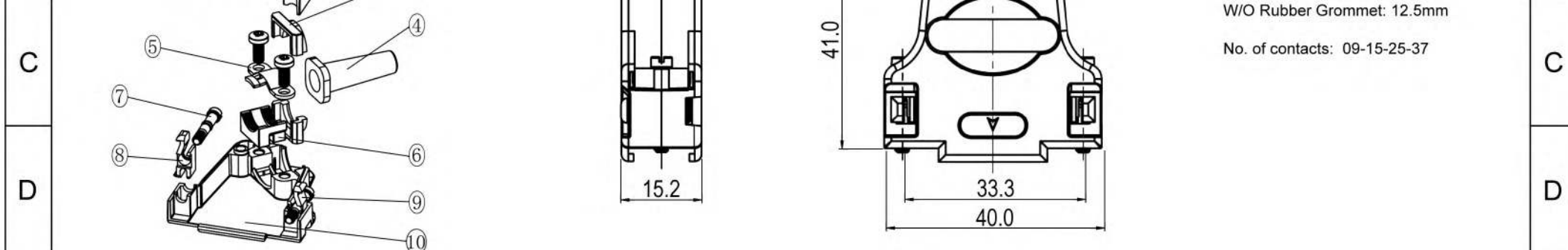
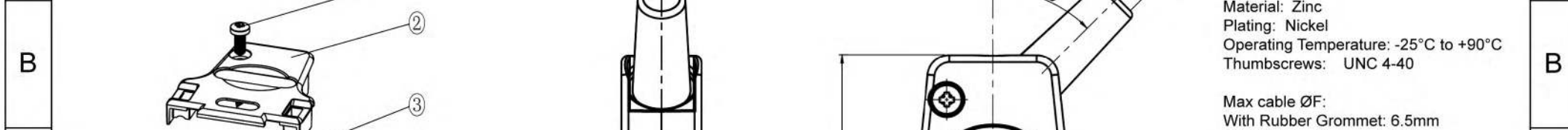
Item	QTY	Part description
1	3	Screw
2	1	Upper Cover
3	1	Cable clamp
4	1	Rubber grommet
5	1	Plastic Insert
6	2	Jackscrew UNC4-40
7	1	Latch-1
8	1	Latch-2
9	1	Lower Cover

E F

**RoHS compliant**  
 Unit: mm

Scale	Free				Date	Name	Customer-No.	
TOLERANCE					Drawn	17.08.2017	S.Bölling	
0~6	±0.10				Approved	17.08.2017	S.Bölling	
6~30	±0.20							
30~120	±0.30							
120~400	±0.50							
DIM	Tol							
Angle	±1°	Ⓢ	Drawn	17.08.2017				S.Bölling
Angle	Tol	Id.	Modification	Date				Name

Customer-No.		
ASSMANN WSW-No.		ACOVSUB-09MB43
Drawing-No.	ASS_5284_CO	rev00
Replace		Sheet 1/4



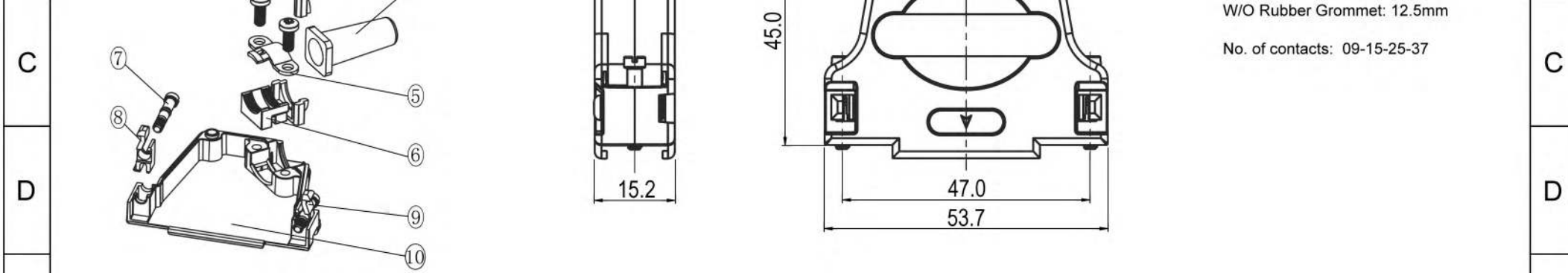
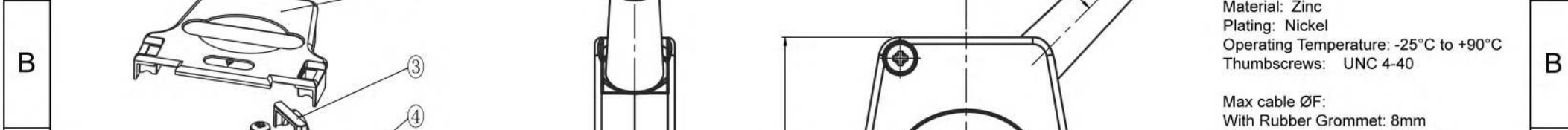
**TECHNICAL SPECIFICATIONS**  
 Material: Zinc  
 Plating: Nickel  
 Operating Temperature: -25°C to +90°C  
 Thumbscrews: UNC 4-40  
  
 Max cable ØF:  
 With Rubber Grommet: 6.5mm  
 W/O Rubber Grommet: 12.5mm  
  
 No. of contacts: 09-15-25-37

Item	QTY	Part description
1	3	Screw
2	1	Upper Cover
3	2	Reduction plate
4	1	Rubber grommet
5	1	Cable clamp
6	1	Plastic Insert
7	2	Jackscrew UNC4-40
8	1	Latch-1
9	1	Latch-2
10	1	Lower Cover

**RoHS compliant**  
 Unit: mm

Scale	Free				Date	Name	Customer-No.	
TOLERANCE					Drawn	17.08.2017	S.Bölling	
0~6	±0.10				Approved	17.08.2017	S.Bölling	
6~30	±0.20							
30~120	±0.30							
120~400	±0.50							
DIM	Tol							
Angle	±1°	Ⓢ	Drawn	17.08.2017				S.Bölling
Angle	Tol	Id.	Modification	Date				Name

ASSMANN WSW-No. <b>ACOV-SUB-15MB43</b>	
Drawing-No. <b>ASS_5284_CO</b>	rev00
Replace	Sheet 2/4



**TECHNICAL SPECIFICATIONS**  
 Material: Zinc  
 Plating: Nickel  
 Operating Temperature: -25°C to +90°C  
 Thumbscrews: UNC 4-40  
  
 Max cable ØF:  
 With Rubber Grommet: 8mm  
 W/O Rubber Grommet: 12.5mm  
  
 No. of contacts: 09-15-25-37

Item	QTY	Part description
1	3	Screw
2	1	Upper Cover
3	2	Reduction plate
4	1	Rubber grommet
5	1	Cable clamp
6	1	Plastic Insert
7	2	Jackscrew UNC4-40
8	1	Latch-1
9	1	Latch-2
10	1	Lower Cover

**RoHS compliant**  
 Unit: mm

Scale	Free				Date	Name	Customer-No.	
TOLERANCE					Drawn	17.08.2017	S.Bölling	
0~6	±0.10				Approved	17.08.2017	S.Bölling	
6~30	±0.20							
30~120	±0.30							
120~400	±0.50							
DIM	Tol							
Angle	±1°	Ⓢ	Drawn	17.08.2017				S.Bölling
Angle	Tol	Id.	Modification	Date				Name

ASSMANN WSW-No. <b>ACOV-SUB-25MB43</b>	
Drawing-No. <b>ASS_5284_CO</b>	rev00
Replace	Sheet 3/4

1

2

3

4

5

6

7

A

B

C

D

E

F

G

H

A

B

C

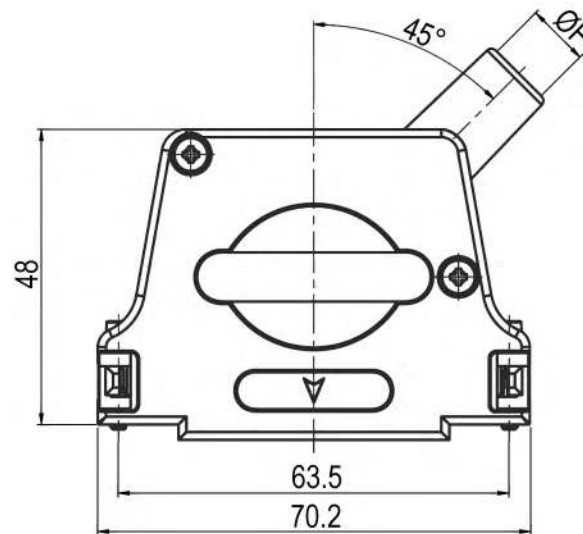
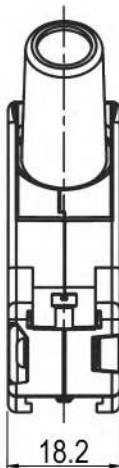
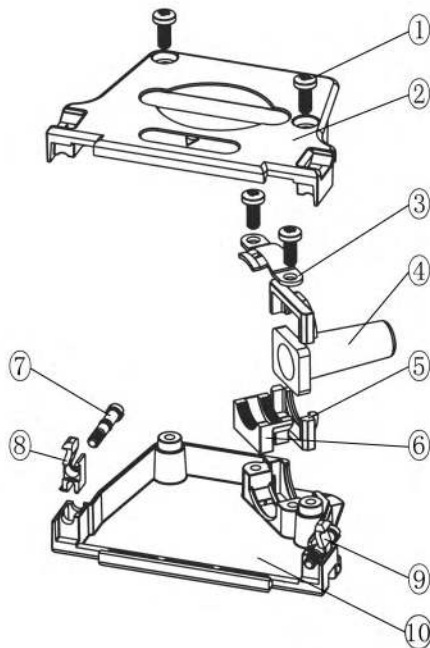
D

E

F

G

H



#### TECHNICAL SPECIFICATIONS

Material: Zinc  
 Plating: Nickel  
 Operating Temperature: -25°C to +90°C  
 Thumbscrews: UNC 4-40

Max cable ØF:  
 With Rubber Grommet: 9mm  
 W/O Rubber Grommet: 15mm

No. of contacts: 09-15-25-37

Item	QTY	Part description
1	4	Screw
2	1	Upper Cover
3	1	Cable clamp
4	1	Rubber grommet
5	2	Reduction plate
6	1	Plastic Insert
7	2	Jackscrew UNC4-40
8	1	Latch-1
9	1	Latch-2
10	1	Lower Cover

**RoHS compliant**  
 Unit: mm

Scale	Free					Date	Name	Customer-No.
TOLERANCE						Drawn	17.08.2017	S.Bölling
0~6	±0.10					Approved	17.08.2017	S.Bölling
6~30	±0.20							
30~120	±0.30							
120~400	±0.50							
DIM	Tol							
Angle	±1°	©	Drawn	17.08.2017	S.Bölling			
Angle	Tol	Id.	Modification	Date	Name			

Customer-No.

Date

Name

Drawn

17.08.2017

S.Bölling

Approved

17.08.2017

S.Bölling

ASSMANN WSW-No.

ACOV-SUB-37MB43

Drawing-No.

ASS\_5284\_CO

rev00

Replace

Sheet 4/4

1

2

3

4

5

6

7

SV4382