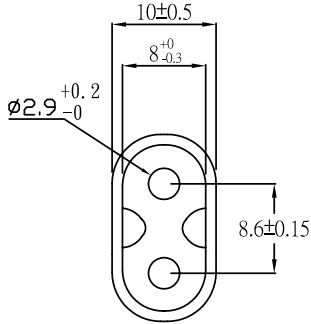
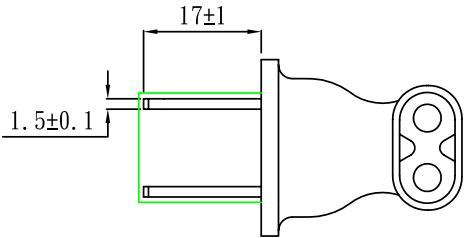
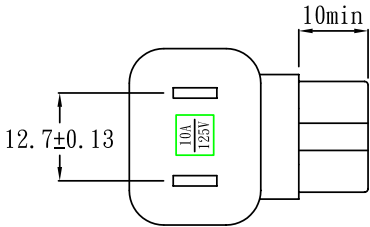
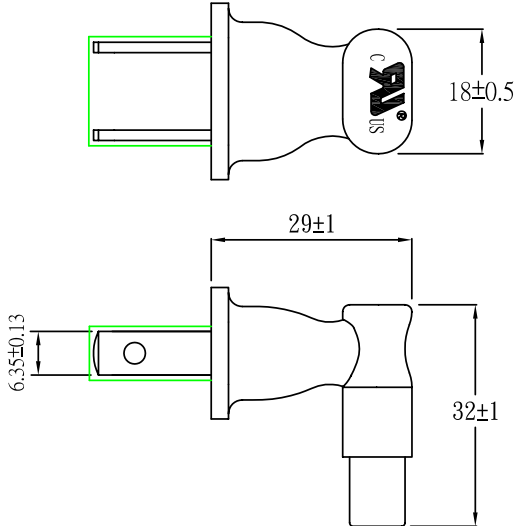


**PROPRIETARY INFORMATION:**  
 PROPRIETARY OF GLOBTEK, INC. ANY REPRODUCTION, DISCLOSURE OR USE OF THIS DRAWING, IN WHOLE OR IN PART, IS HEREBY PROHIBITED EXCEPT AS SPECIFIED IN WRITING BY GLOBTEK, INC.

REVISION			
REV	DESCRIPTION	DATE	APPROVED
A	INITIAL RELEASE, RFS. 14879, EM	10/23/08	HM

Note:

- 1. Rating: 10A 125V
- 2. Insulation Resistance: 100MΩ
- 3. Dielectric Voltage: 2000V/sec



DASH NO.	PART NO	REV.	DESCRIPTION	NOTES
<b>TABULATION BLOCK</b>				
			<b>GlobTek, Inc.</b> www.globtek.com 186 Veterans Dr. Northvale, NJ 07647 Tel. 201-784-1000 Fax 201.784.0111	
TOLERANCES: DECIMALS ANGULAR .xx +/- 0.1 +/- 1° .xxx +/- .005		DWG TITLE: <b>PLUG ADAPTOR, PLUG NEMA 1-15P TO CONNECTOR IEC 60320/C7</b>		
MILLIMETERS ANGULAR .xx +/- 0.3 +/- 1° .xxx +/- .013		FSCN No.: G, CC, YL	MODEL: <b>GT-1113L</b>	REV. A
INIT.BY: EM	DATE: 10/23/08	SCALE: NONE	PART NO: <b>451R-703R(R)</b>	SHEET 1/1

**Foot Note:**  
 Globtek Inc. will not be liable for the safety and performance of these power product if unauthorized access and repair occurs. End user should consult the applicable UL, CSA or EN Standards for proper installation instruction.

**Limitation of Use:**  
 Globtek product are not authorized for use as mission critical components in life support, hazardous environment, nuclear or aircraft applications without prior written approval from the CEO of Globtek Inc.

Contents of this document are subject to change without prior notice