

MATERIALS AND FINISHES:

SMA JACK STR BKHD
IP68 CONNECTOR:

BODY, CRIMP TUBE, JAM NUT: BRASS
PLATED GOLD

CENTER CONTACT: BERYLLIUM COPPER
PLATED GOLD

INSULATOR: PTFE

LOCK WASHER: PHOSPHOR BRONZE
PLATED GOLD

GASKET: SILICONE RUBBER

MHF® I LK CONNECTOR:

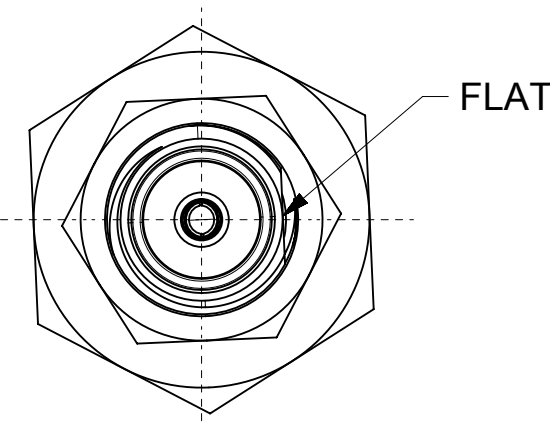
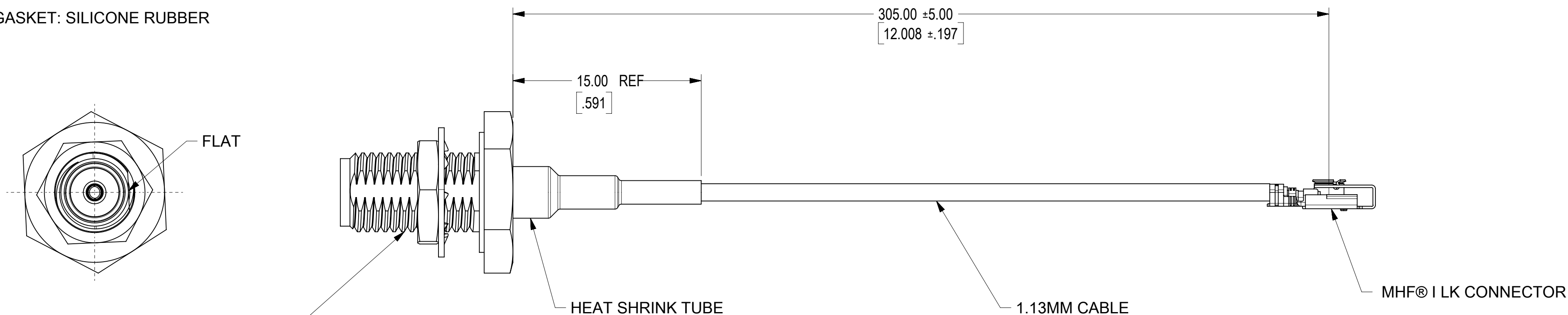
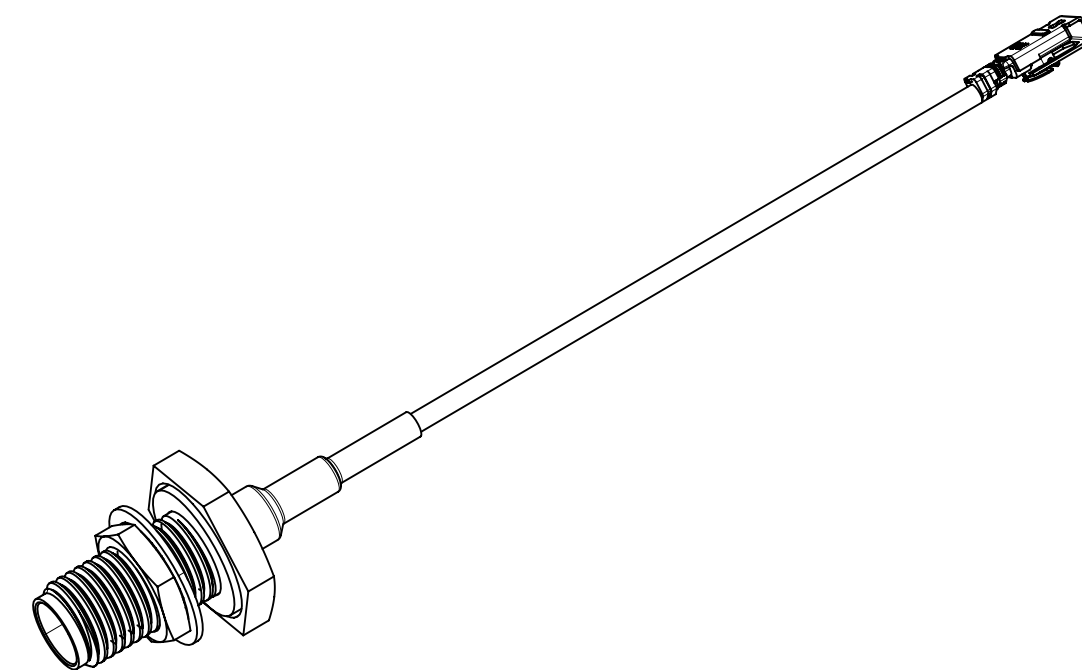
CABLE: 1.13MM CABLE

HEAT SHRINK TUBE: PE

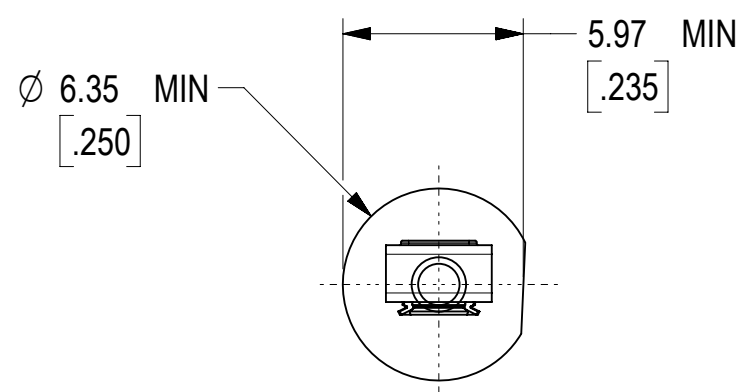
PERFORMANCE REQUIREMENTS

FREQUENCY RANGE: 0-6GHz
IMPEDANCE: 50 Ω
WITHSTAND VOLTAGE(AC): 350V @0.5mA
CONTINUITY: 100% TEST
PANEL LEAKAGE: IP68

PACKAGING BY PLASTIC BAG



SMA JACK STR BKHD IP68 CONNECTOR
73251-6390



RECOMMENDED MOUNTING HOLE

PART # 73230-6240

FUNCTIONAL SYMBOLS	THIS DRAWING CONTAINS INFORMATION THAT IS PROPRIETARY TO MOLEX ELECTRONIC TECHNOLOGIES, LLC AND SHOULD NOT BE USED WITHOUT WRITTEN PERMISSION										
	DIMENSION UNITS	SCALE	CURRENT REV DESC:								
FA = 0	MM/INCH	4:1	EC NO: 727067								
FC = 0	GENERAL TOLERANCES (UNLESS SPECIFIED)		DRWN: MYLU07							DOC TYPE	
FD = 0	ANGULAR TOL ± °		CHK'D: JCHEN108							DOC PART	
DIVISIONAL SYMBOLS	4 PLACES ±	APPR: LCHEN03							REVISION		
	3 PLACES ±	INITIAL REVISION:							A1		
	2 PLACES ±	DRWN: MYLU07							PSD		
	1 PLACE ±	APPR: LCHEN03							000		
0 PLACES ±	DRAFT WHERE APPLICABLE MUST REMAIN WITHIN DIMENSIONS		THIRD ANGLE PROJECTION	DRAWING	SERIES	MATERIAL NUMBER	CUSTOMER	SHEET NUMBER			
				C-SIZE	73230	73230-6240	GENERAL MARKET	1 OF 1			

<p>CA, SMA JACK BULKHEAD IP68 TO MHF® I LK WITH DIA 1.13MM CABLE,50 OHMS,EWR#: 15289-A</p>			
<p>PRODUCT CUSTOMER DRAWING</p>			
732306240	PSD	000	A1