

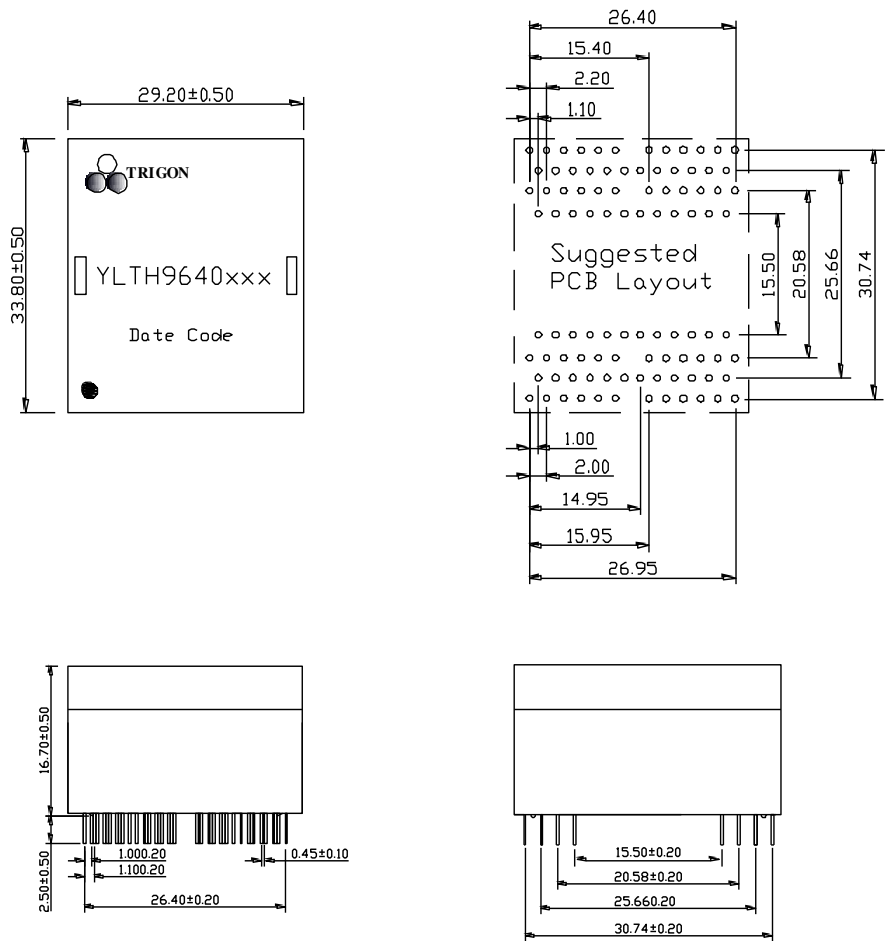
# YLTH9640 Series

2.5/5G Base-T Quad Ports (DIP Type) Magnetics Modules

**TRIGON**  
COMPONENTS



## Mechanical Dimensions



## FEATURES

- Through Hole
- Cost Effective
- Optimum Performance
- Industrial Standard Footprint
- Optional Pin-Outs
- Cable Interface For Isolation
- Low Common Mode Emissions
- RoHS Compliant
- Meets IEEE802.3bz Standard For 2.5/5G Base-T

## APPLICATIONS

- Designed For Ethernet 2.5/5G Base-T, Full Quad Ports Application
- 5G CPE
- WIFI5/6
- Access Points

## ORDERING CODE

**YLT H 9640XXX U**  
(1) (2) (3) (4)

- (1) LAN Transformer
- (2) High Speed Over One Gigabit
- (3) Series code
- (4) Package  
U= Tube

IC Manufactures Reference Application:

Aquantia:  
AQR108, AQR408

Broadcom:  
BCM54991, BCM63153, BCM63158, BCM84880

Marvell:  
88E2010, 88E2018, 88E2110

# YLTH9640 Series

2.5/5G Base-T Quad Ports (DIP Type) Magnetics Modules

**TRIGON**  
COMPONENTS

## Electrical Specifications @ 25°C, Operating Temperature 0°C~70°C

Part Number	OCL (uH Min)	Insertion Loss (dB Max)	Return Loss (dB Max)	Returnn Loss (dB Max)	Cross Talk (dB Typ)	CMRR (dB Typ)	PoE Rating	Hipot (Vrms)
	100KHz, 1Vrms	1-400MHz / 400-500MHz	1-40MHz	40-250MHz *Z Out=100 OHM±1%	1-250MHz	1-250MHz	Watt	For 1 Minute
YLTH96401U	200@8mA	-1.0 / -2.0	-16	-16+10log(f/40)	-30	-30	NON-PoE	1500
YLTH96402U	200@8mA	-1.0 / -2.0	-16	-16+10log(f/40)	-30	-30	4PPoW-30W	1500
YLTH96402-1PU	200@14mA	-1.0 / -2.0	-16	-16+10log(f/40)	-30	-30	4PPoW-75W	1500
YLTH96404U	200@8mA	-1.0 / -2.0	-16	-16+10log(f/40)	-30	-30	4PPoW-30W	1500

\*These Transformers with Operating Temperature At -40°C~+85°C, Are Available Upon Request.

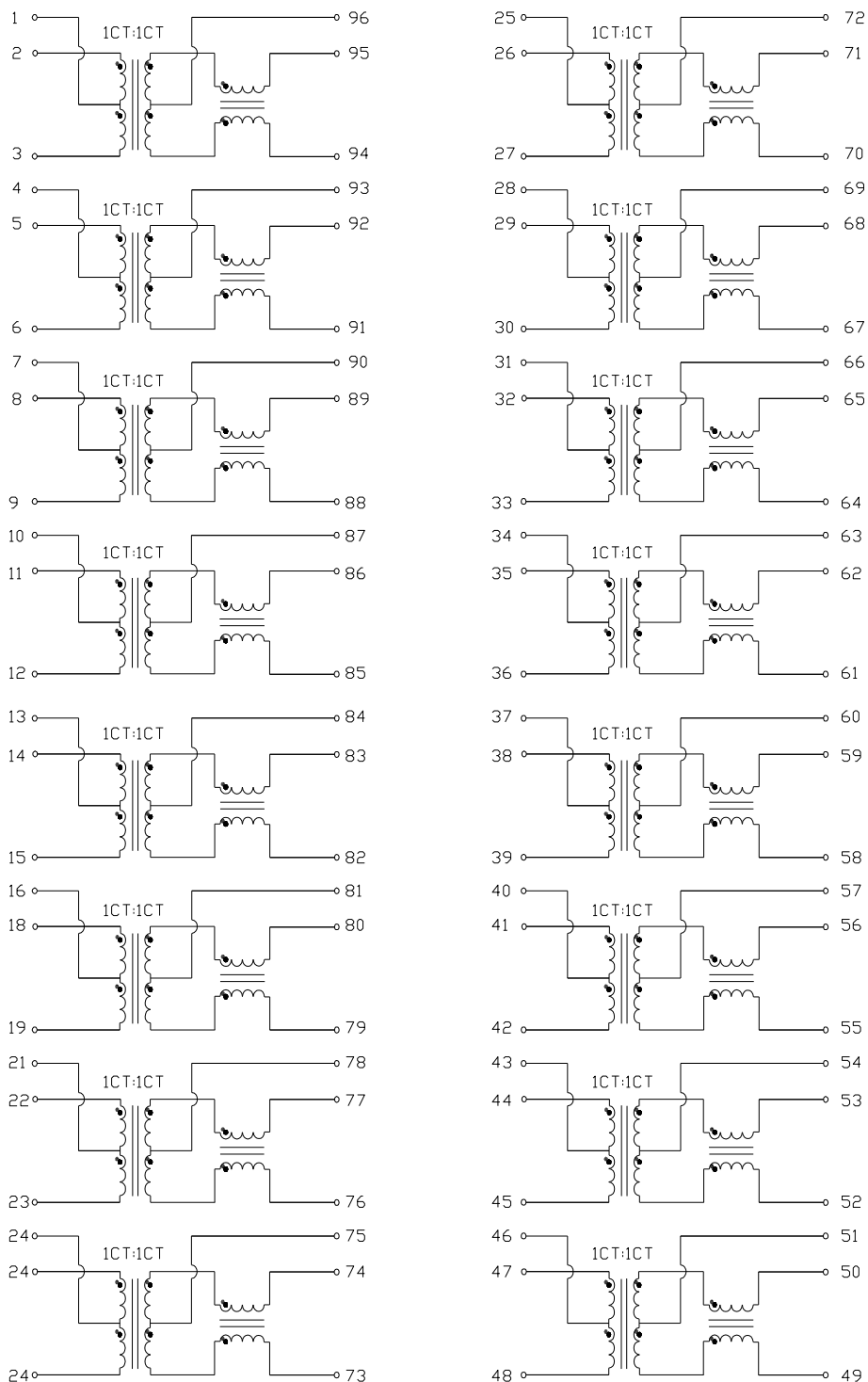
# YLTH9640 Series

2.5/5G Base-T Quad Ports (DIP Type) Magnetics Modules

TRIGON  
COMPONENTS

## Schematic

YLTH96401T



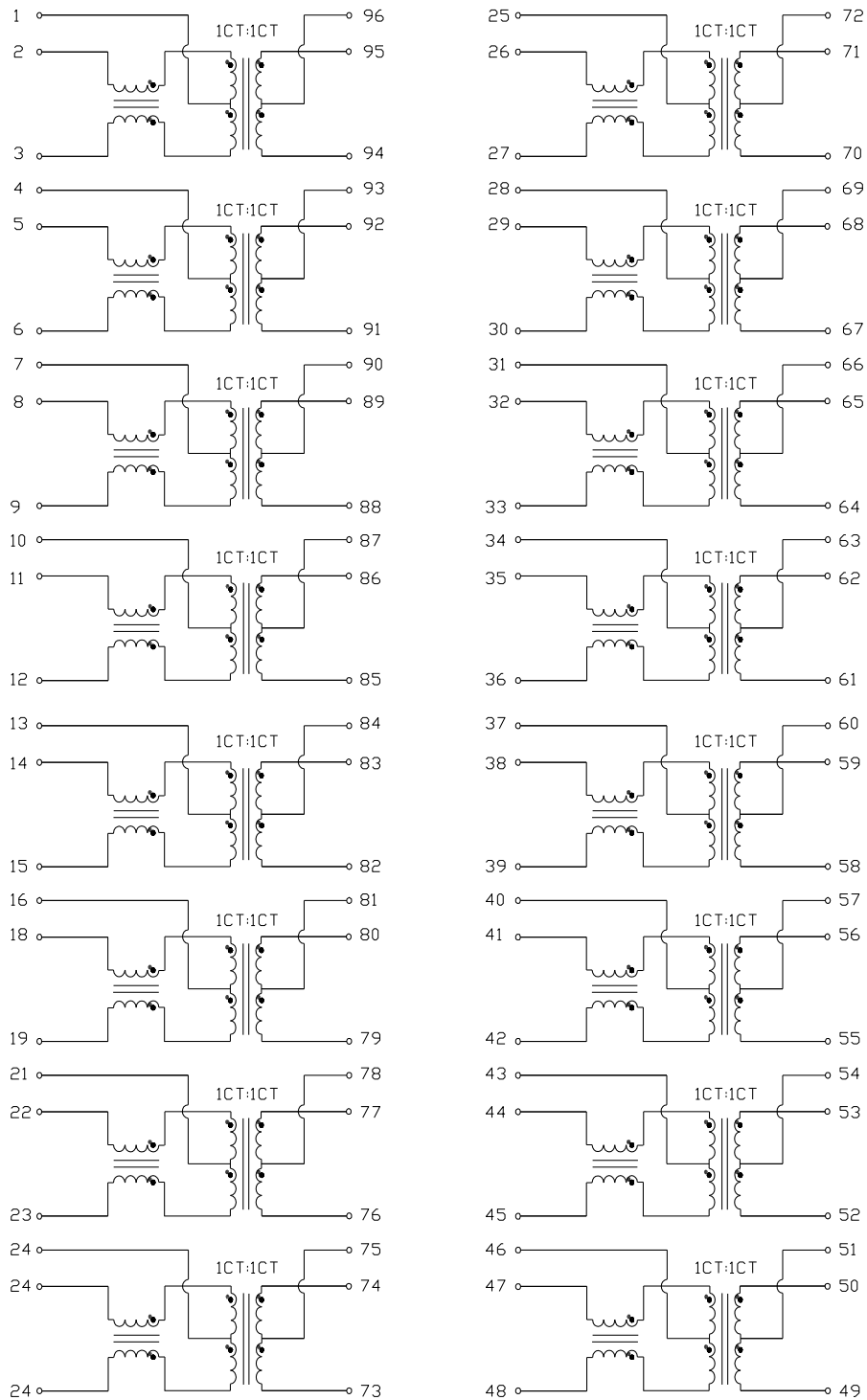
# YLTH9640 Series

2.5/5G Base-T Quad Ports (DIP Type) Magnetics Modules

TRIGON  
COMPONENTS

## Schematic

YLTH96402PT/YLTH96402-1PT



# YLTH9640 Series

## 2.5/5G Base-T Quad Ports (DIP Type) Magnetics Modules

### Schematic

YLTH96404T

