

TEMPERATURE COMPENSATED CRYSTAL OSCILLATOR (SMD • Ceramic Package)

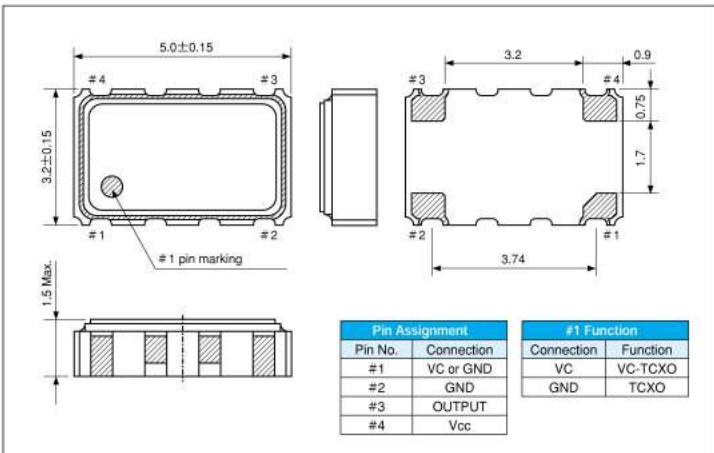
RoHS Compliant Standard **CSX532T** 2000pcs/reel



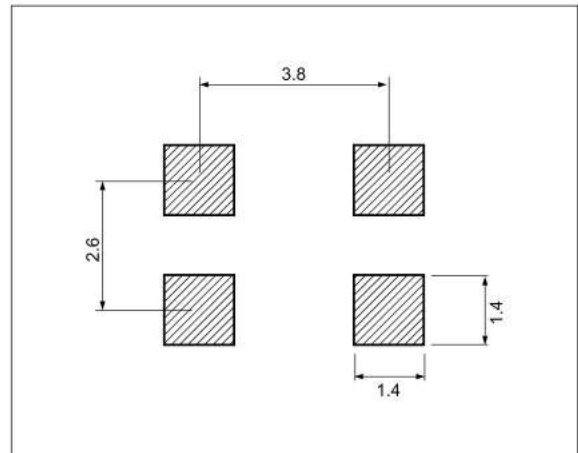
FEATURES

- With the function of frequency and voltage control .
- Available in 2.4V low voltage drive.
- Low current consumption.
- Automatic mounting and reflowable Type.
- Complete Pb free product.
- Most appropriate for Cellular phone, GPS and other equipment with telecommunication devices.

DIMENSION [mm]



SOLDER PAD LAYOUT [mm]



STANDARD SPECIFICATIONS

Item	Model	CSX532T			
Nominal Frequency	f <sub>0</sub>	12.8MHz , 13.0MHz	14.4MHz	16.8MHz , 19.2MHz , 19.68MHz , 19.8MHz	26.0MHz
Frequency Stability	Δf/f <sub>0</sub>	±2.5ppm / (−30°C ~ +75°C)			
Operating Temperature Range	T <sub>OPR</sub>	−30°C ~ +75°C			
Storage Temperature Range	T <sub>STR</sub>	−40°C ~ +85°C			
Supply Voltage	V <sub>dd</sub>	2.4V ~ 3.0V			
Frequency adjustment range	Δf <sub>c</sub>	±8ppm Min. / (V <sub>cont</sub> =V <sub>dd</sub> /2±1.0V)			
Current consumption	I <sub>dd</sub>	1.0mA Max.		1.2mA Max.	1.5mA Max.
Output Voltage	V <sub>OUT</sub>	0.8Vp-p Min. (10kΩ/10pF)			
Start-up time	T <sub>ST</sub>	5.0 msec Max.		3.5 msec Max.	
Aging (first year)	F <sub>A</sub>	±1.0ppm / year Max.			