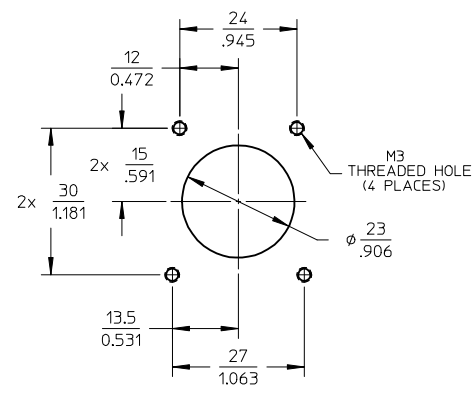
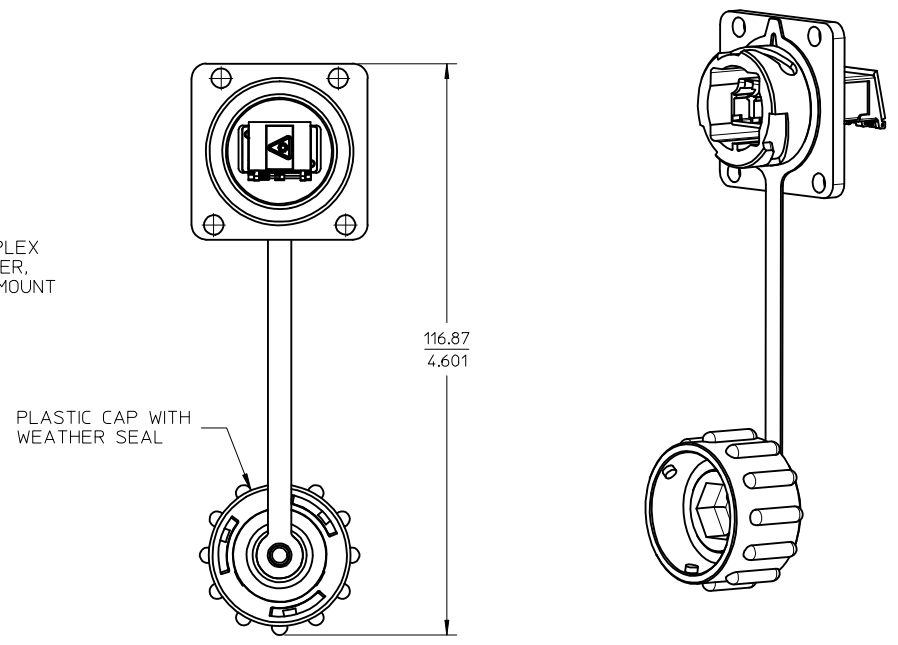


NOTE:
1. ALL DIMENSIONS ARE FOR REFERENCE ONLY.



RECOMMENDED MOUNTING CUTOUT

ASSEMBLY PART NO.	FIBER TYPE
1065010024	SINGLE MODE
1065010038	MULTI-MODE
1065010039	APC

ENTER DESCRIPTION EC NO: MF2014-0784 DRW: AECKHART 2014/06/17 CHKD: APPR: WCHEN 2014/07/02 REV A	QUALITY SYMBOLS ∇=0 ∇=0 ∇=0	GENERAL TOLERANCES (UNLESS SPECIFIED) mm INCH 4 PLACES ± --- ± --- 3 PLACES ± --- ± --- 2 PLACES ± --- ± --- 1 PLACE ± --- ± --- 0 PLACE ± --- ± --- ANGULAR ±1/2°	DIMENSION STYLE MM/IN DRAWN BY DATE L.SADAUSKAS 2009/01/09 CHECKED BY DATE APPROVED BY DATE B.ANDREI 2009/01/09 MATERIAL NO.	SCALE 1:1 DESIGN UNITS INCH THIRD ANGLE PROJECTION	TITLE INTEGRATED LCD ADAPTER FOR IND LC CONNECTOR
	DRAFT WHERE APPLICABLE MUST REMAIN WITHIN DIMENSIONS		SEE TABLE	DOCUMENT NO. SD-106501-0024	SHEET NO. 1 OF 1
	THIS DRAWING CONTAINS INFORMATION THAT IS PROPRIETARY TO MOLEX INCORPORATED AND SHOULD NOT BE USED WITHOUT WRITTEN PERMISSION				
	moxlex				