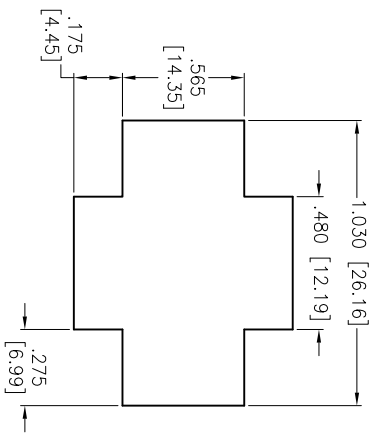
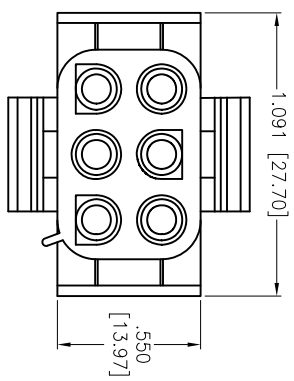
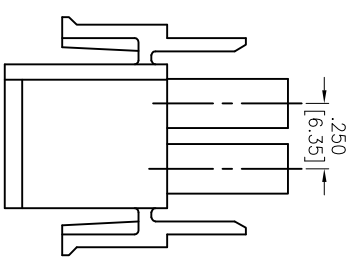
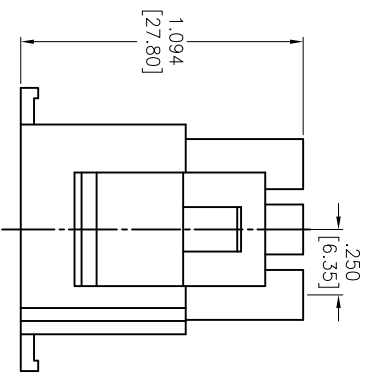


Rev	AWO #	Description	Date	Appr
-		RELEASED	10/02/12	

APPROVED: _____
 DATE: _____ TITLE: _____



Panel hole dimensions



SPECIFICATIONS:

Material:
 Insulator: Nylon66, rated UL 94V-2
 Insulator color: Natural
Electrical:
 Voltage Rating: 600V Max.
 Current rating: 11 Amps Max.
 Insulation resistance: 1,000M ohms min
 Dielectric withstanding voltage: 5,000 VAC for 1 minute
Temperature Rating:
 Operating temperature: -55°C to +105°C
Environmental:
 Lead free, RoHS compliant.

ADAM TECH

909 Rahway Avenue, Union, NJ 07083
 Phone: 908-687-5000 Fax: 908-687-5710

**.250 [6.35MM] PITCH CONNECTOR, 6 POS
 HOUSINGS, MALE, VERTICAL**

UNLESS OTHERWISE SPECIFIED ALL DIMENSIONS ARE INCHES [MM]	
TOLERANCES EXCEPT AS NOTED	
INCHES	HOLDS
.X ± .10	ØXX ± .10
.XX ± .020	ØXXX ± .015
.XXX ± .015	ØXXXX ± .010
APPROVALS	DATE
DRAWN TW	10/02/12
CHECKED AV	10/02/12
APPROVED	

REF: S00123T	SCALE: NTS	SHEET 1 OF 2
SIZE X	PART NO. DME-M-06-SQ	REV. -



6 5 4 3 2 1