



# 1375 MHz Cavity Bandpass Filter

Part Number: AB1375B880



## Electrical specifications

**Center Frequency:** 1375 MHz  
**Insertion loss @1375 MHz:** <3 dB  
**Passband:** 1363-1387 MHz  
**Rejection 1:** 70 dB@1200 MHz  
**Rejection 2:** 70 dB@1500 MHz

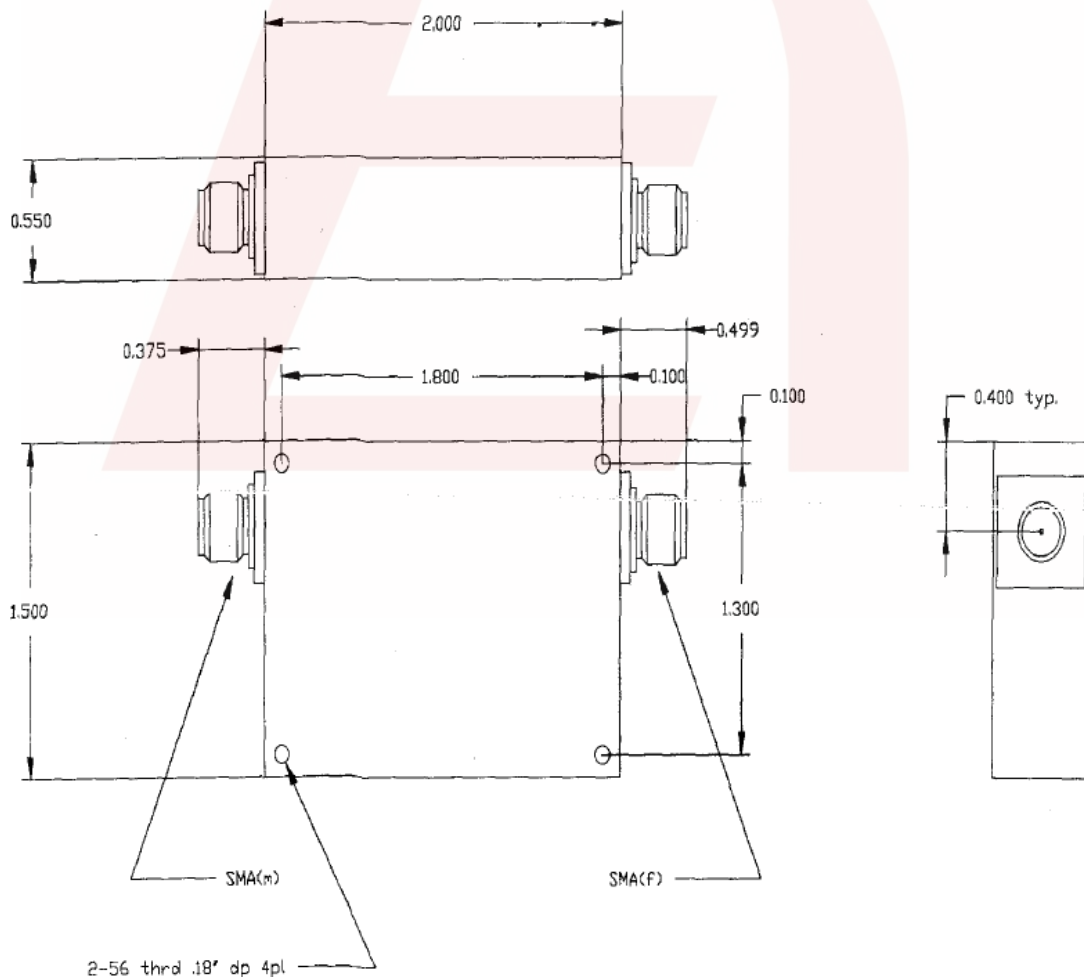
## Mechanical

**Mounting Method:** Threaded Mounting Holes  
**Connector Type:** SMA Female, SMA Male  
**Dimensions:** 2.00" x 1.50" x 0.55" in

## Environmental

**Operating Temperature:** -45 to +85° C  
**Storage Temperature:** -55 to +95° C  
**Shock:** 20 G. 11ms  
**Vibration:** 20 G. 5 to 200 MHz

## Outline Drawing:





# 1375 MHz Cavity Bandpass Filter

## Part Number: AB1375B880



**ANATECH ELECTRONICS INC**  
RF & Microwave Filters & Products

### Plot:

