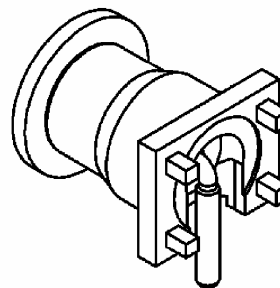
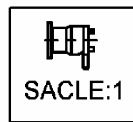
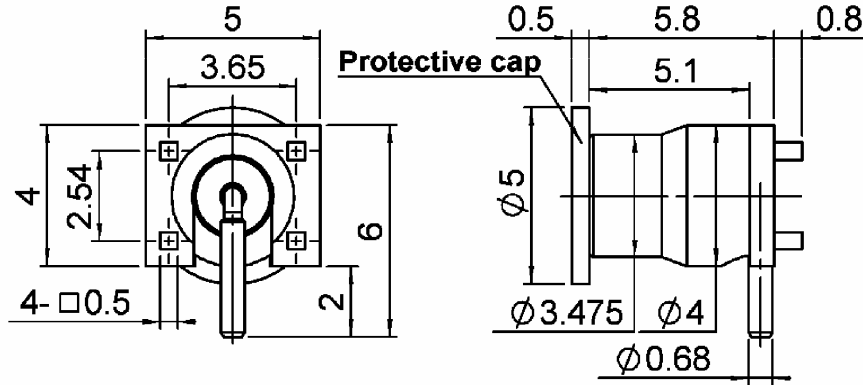


STRAIGHT FEMALE RECEPTACLE FOR PCB

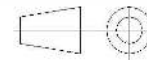
R110A.427.830

TAPE AND REEL PACKAGING OF 500

Series : **ECO MMCX**



All dimensions are in mm.



COMPONENTS	MATERIALS	PLATING (µm)
BODY	BRASS	GOLD
CENTER CONTACT	BERYLLIUM COPPER	GOLD
OUTER CONTACT		
INSULATOR	PTFE	
GASKET		
OTHERS PARTS	PTFE	
-	-	-
-	-	-

Issue : 0909 A

In the effort to improve our products, we reserve the right to make changes judged to be necessary.



STRAIGHT FEMALE RECEPTACLE FOR PCB

R110A.427.830

TAPE AND REEL PACKAGING OF 500

Series : **ECO MMCX**

PACKAGING

Standard	Unit	Other
500	'W' option	Contact us

SPECIFICATION

ELECTRICAL CHARACTERISTICS

Impedance		50 Ω
Frequency		0-3 GHz
VSWR	1.35 +	0.000 x F(GHz) Maxi
Insertion loss		0.1 √F(GHz) dB Maxi
RF leakage	- (NAN - F(GHz)) dB Maxi
Voltage rating		250 Veff Maxi
Dielectric withstanding voltage		500 Veff mini
Insulation resistance		1000 MΩ mini

ENVIRONMENTAL

Operating temperature	-40/+85 ° C
Hermetic seal	NA Atm.cm3/s
Panel leakage	NA

OTHER CHARACTERISTICS

Assembly instruction

Others :

MECHANICAL CHARACTERISTICS

Center contact retention		
Axial force – Mating end		10 N mini
Axial force – Opposite end		10 N mini
Torque		NA N.cm mini
Recommended torque		
Mating		NA N.cm
Panel nut		NA N.cm
Mating life		100 Cycles mini
Weight		0.380 g

Issue : 0909 A

In the effort to improve our products, we reserve the right to make changes judged to be necessary.



STRAIGHT FEMALE RECEPTACLE FOR PCB

R110A.427.830

TAPE AND REEL PACKAGING OF 500

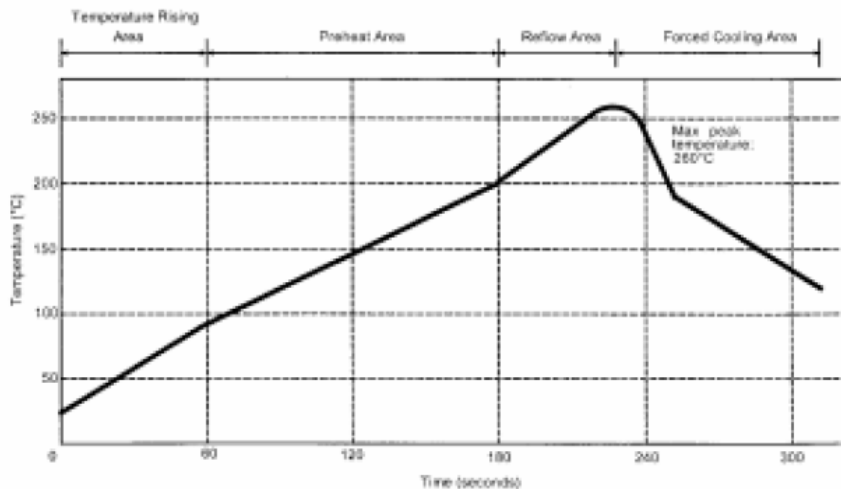
Series : ECO MMCX

SOLDER PROCEDURE

1. Deposit solder paste ‘Sn Ag4 Cu0.5’ on mounting zone by screen printing application. We recommend a low residue flux.
We advise a thickness of 150 micromm (5.850 microinch). Verify that the edges of the zone are clean.
2. Placement of the receptacle on the mounting zone with an automatic machine of ‘pick and place’ type. A video camera is recommended for positioning of the component . Adhesive agents must not be used on the receptacle.
3. This process of soldering has been tested with convection oven .Below please find ,the typical profile to use.
4. The cleaning of printed circuit boards is not obliged .
5. Verification of solder joints and position of the component by visual inspection.

NOTE : The receptacle and the plug must not be mated before completion of this procedure

TEMPERATURE PROFILE



Parameter	Value	Unit
Temperature rising Area	1 - 4	°C/sec
Max Peak Temperature	260	°C
Max dwell time @260°C	10	sec
Min dwell time @235°C	20	sec
Max dwell time @235°C	60	sec
Temperature drop in cooling Area	-1 to - 4	°C/sec
Max dwell time above 100°C	420	sec

Issue : 0909 A

In the effort to improve our products, we reserve the right to make changes judged to be necessary.



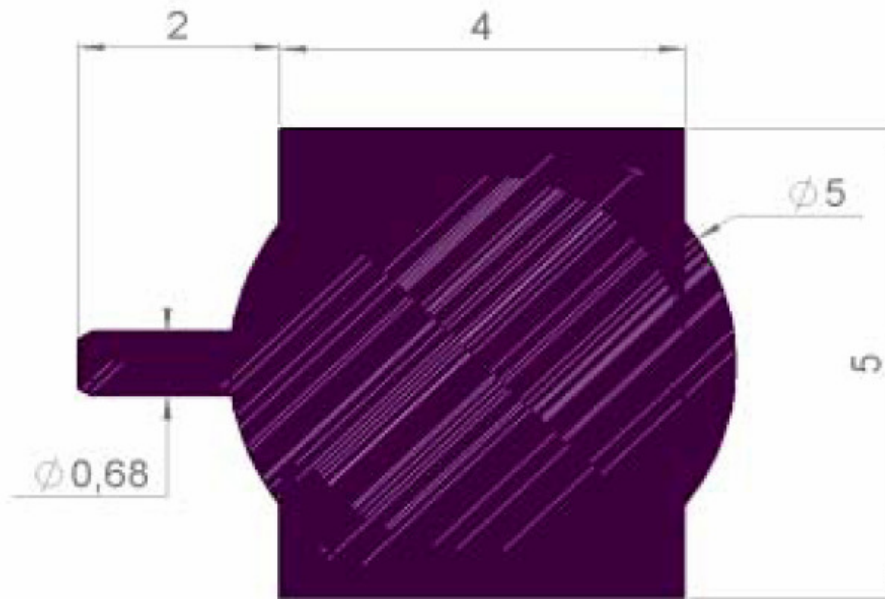
STRAIGHT FEMALE RECEPTACLE FOR PCB

R110A.427.830

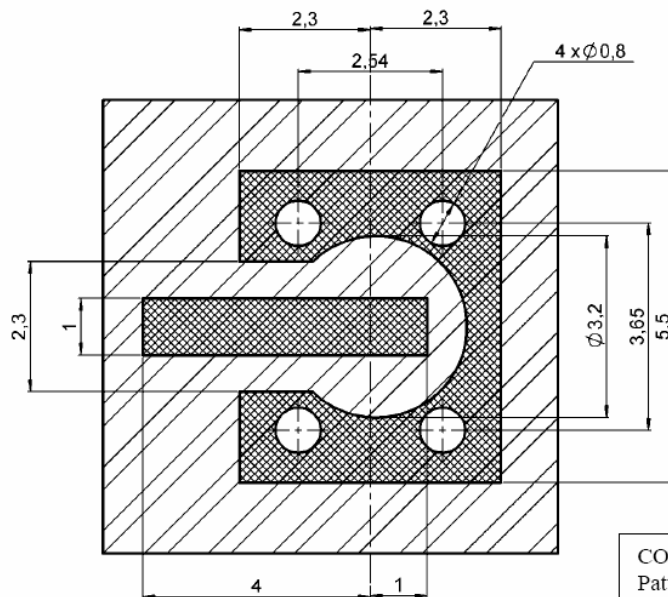
TAPE AND REEL PACKAGING OF 500

Series : ECO MMCX

SHADOW OF RECEPTACLE FOR VIDEO CAMERA



STANDARD PAD



COPLANAR LINE

Pattern and signal are on the same side.

Thickness of the PCB : 1.6 mm

The material of the PCB is the epoxy resin of Glass fabrics bacs (ER : 4.8).

The solder resist should be printed except for The land pattern on the PCB.

Issue : 0909 A

In the effort to improve our products, we reserve the right to make changes judged to be necessary.

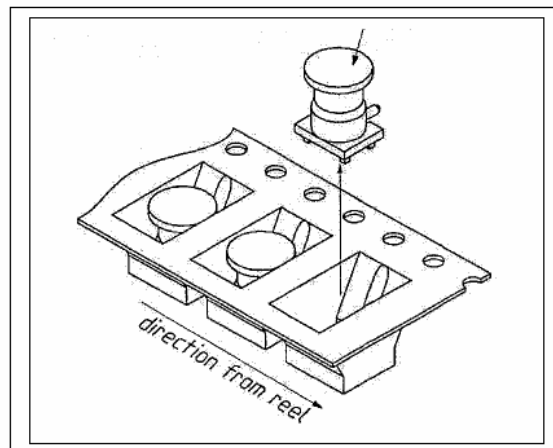
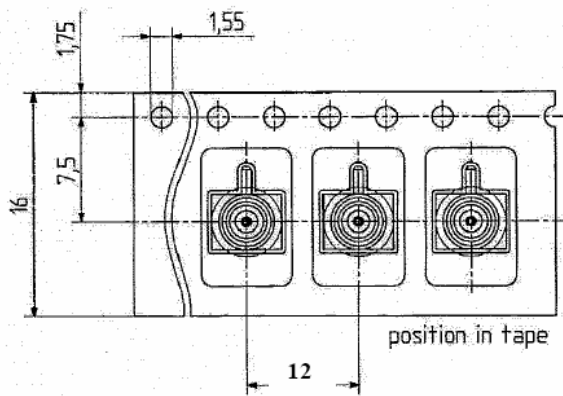
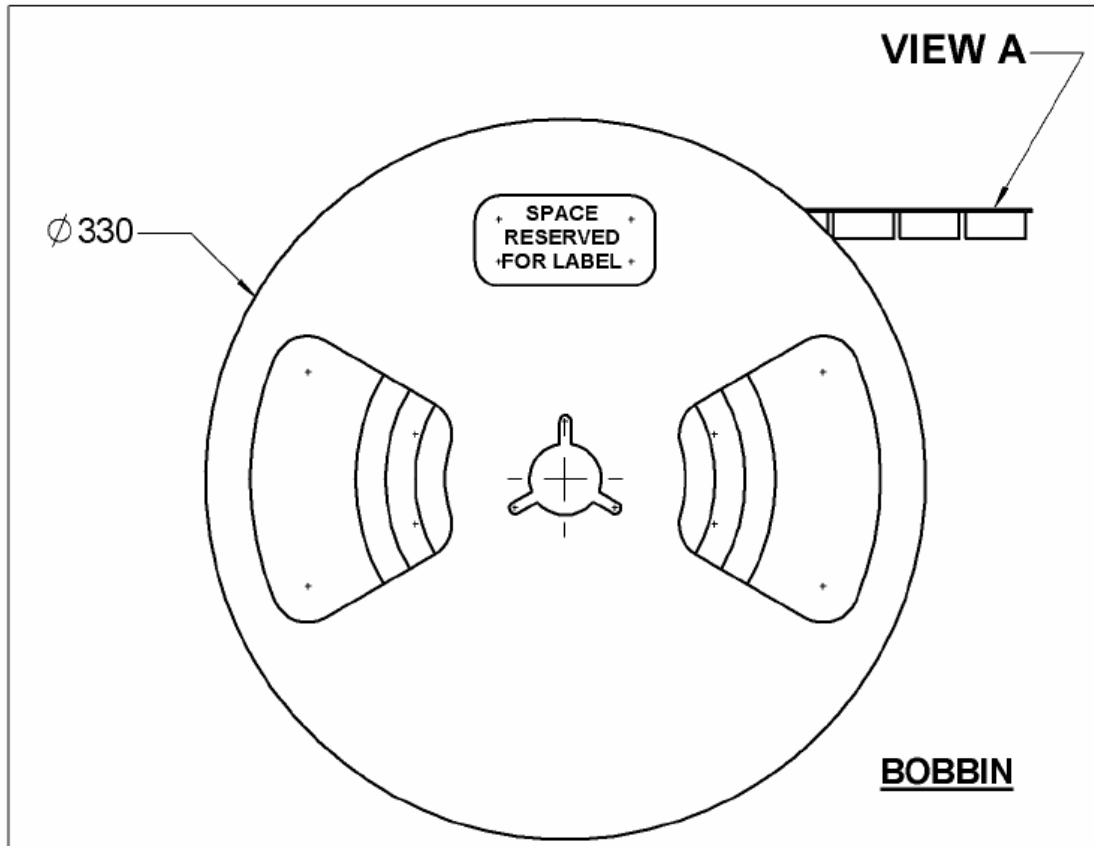


STRAIGHT FEMALE RECEPTACLE FOR PCB

R110A.427.830

TAPE AND REEL PACKAGING OF 500

Series : ECO MMCX



Issue : 0909 A

In the effort to improve our products, we reserve the right to make changes judged to be necessary.