

4

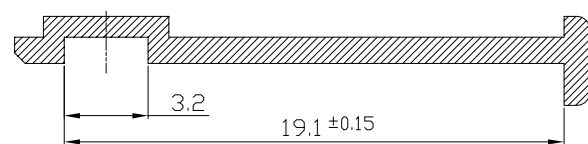
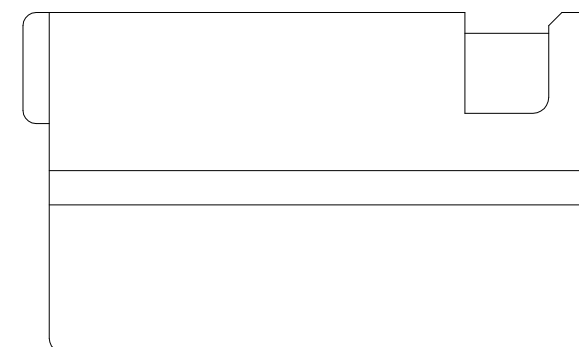
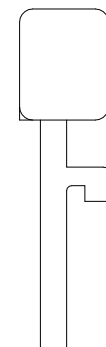
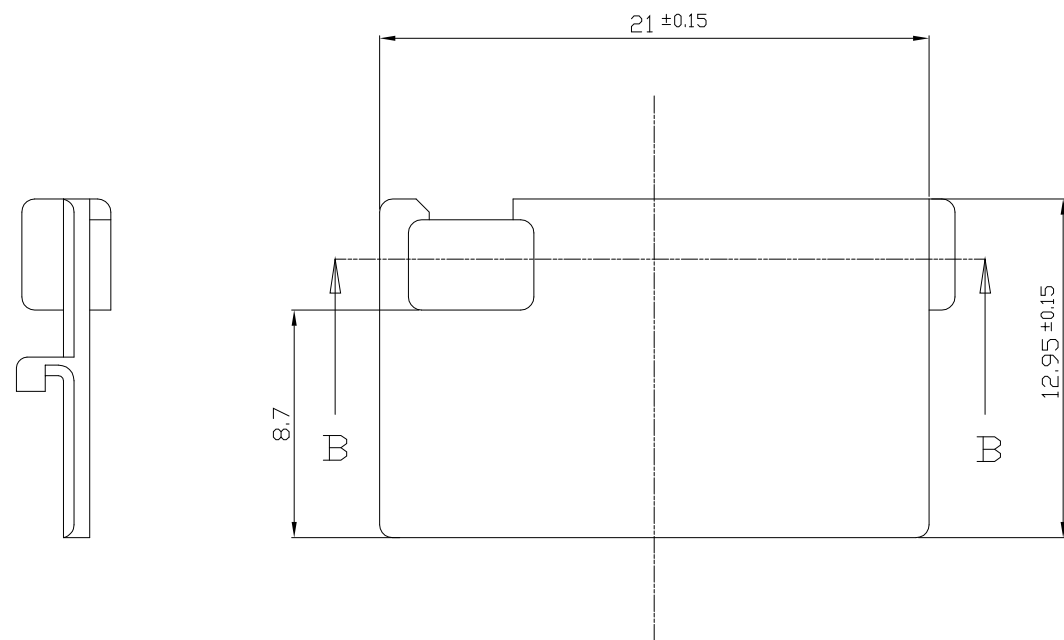
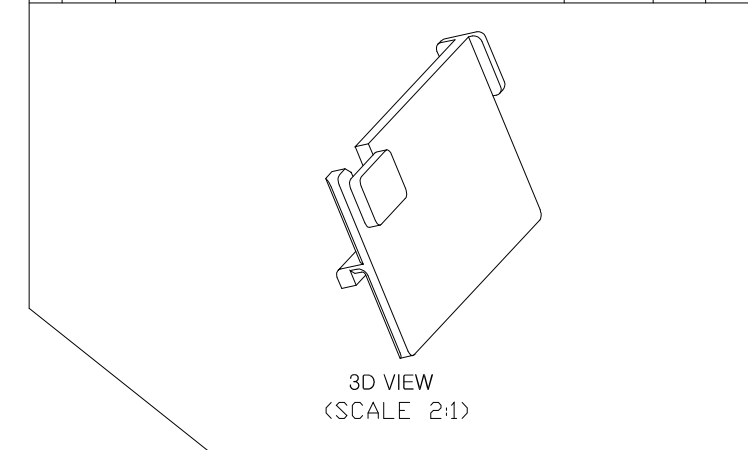
3

2

1

THIS DRAWING IS UNPUBLISHED. RELEASED FOR PUBLICATION
© COPYRIGHT BY TYCO ELECTRONICS CORPORATION, ALL RIGHTS RESERVED.

LOC	DIST	REVISIONS					
		P	LTR	DESCRIPTION	DATE	DWN	APVD
DS	-	A		RELEASED	18/OCT/04	SB	CS
		B		REVISED<ECR-11-001412>	21/JAN/11	JH	HG



SECTION B-B

NOTE

1. APPLIED PLUG CONNECTOR P/N : X-1743282-X

control priority dimension; ■ CRITICAL, ☒ MAJOR, □ MINOR		1	MQS, SHIELD, 8 POS	B	0-1743283-1	PBT-GF10	NATURAL
THIS DRAWING IS A CONTROLLED DOCUMENT FOR TYCO ELECTRONICS CORPORATION. IT IS SUBJECT TO CHANGE AND THE CONTROLLING ENGINEERING ORGANIZATION SHOULD BE CONTACTED FOR THE LATEST REVISION.		NO.	DESCRIPTION	CODE	P/N	MATERIAL	COLOR/FINISH
DIMENSIONS: mm		DWN: JH CHD					
TOLERANCES UNLESS OTHERWISE SPECIFIED: DECIMALS ± 0.3 ANGLES ± 3°		CHK: KT LIM					
3rd ANGLE PROJECTION		APVD: HG CHD					
MATERIAL: PBT-GF10		PRODUCT SPEC		NAME: MQS, SHIELD, 8 POS.			
FINISH		APPLICATION SPEC		SIZE: A2		CAGE CODE: 00779	
		WEIGHT		DRAWING NO: C-1743283		RESTRICTED TO	
				SCALE: 5/1		SHEET: 1 OF 1	
						REV: B	