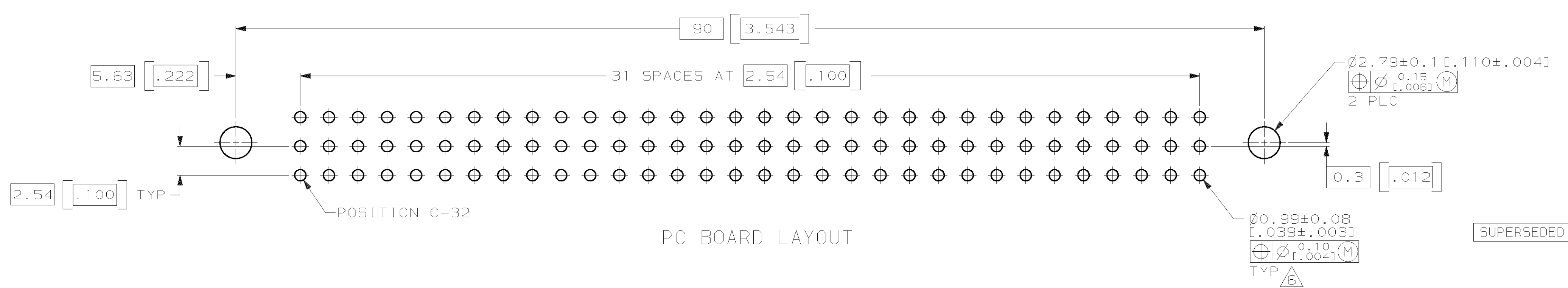
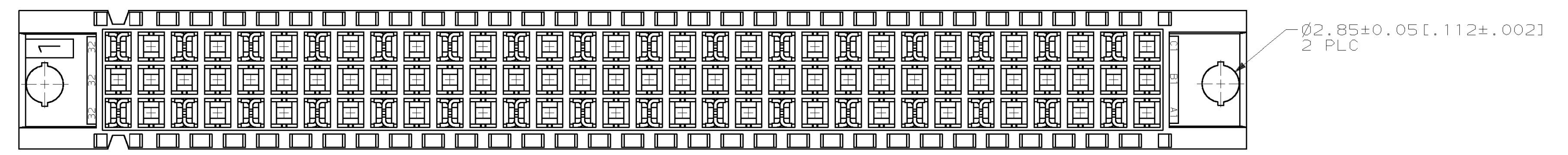
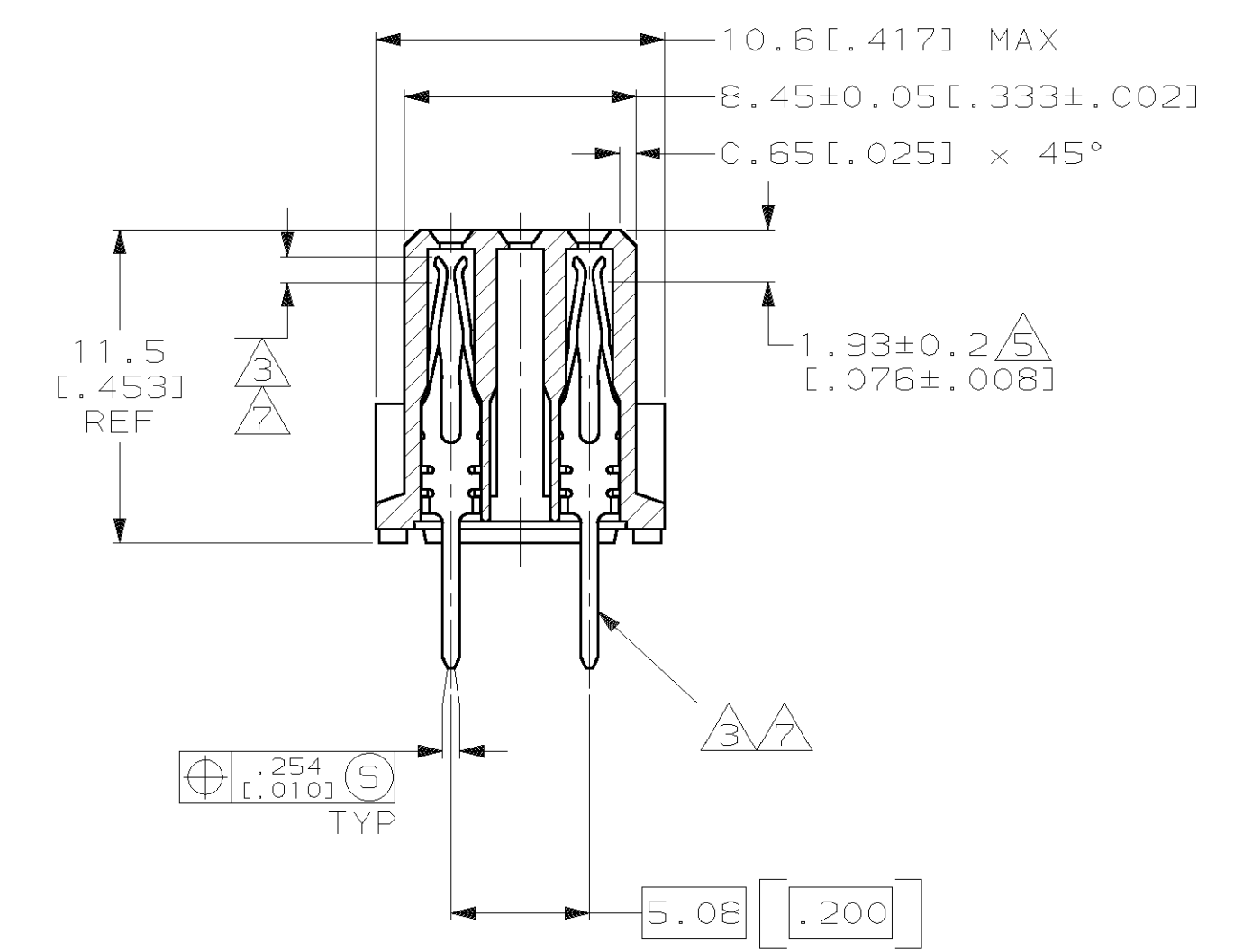
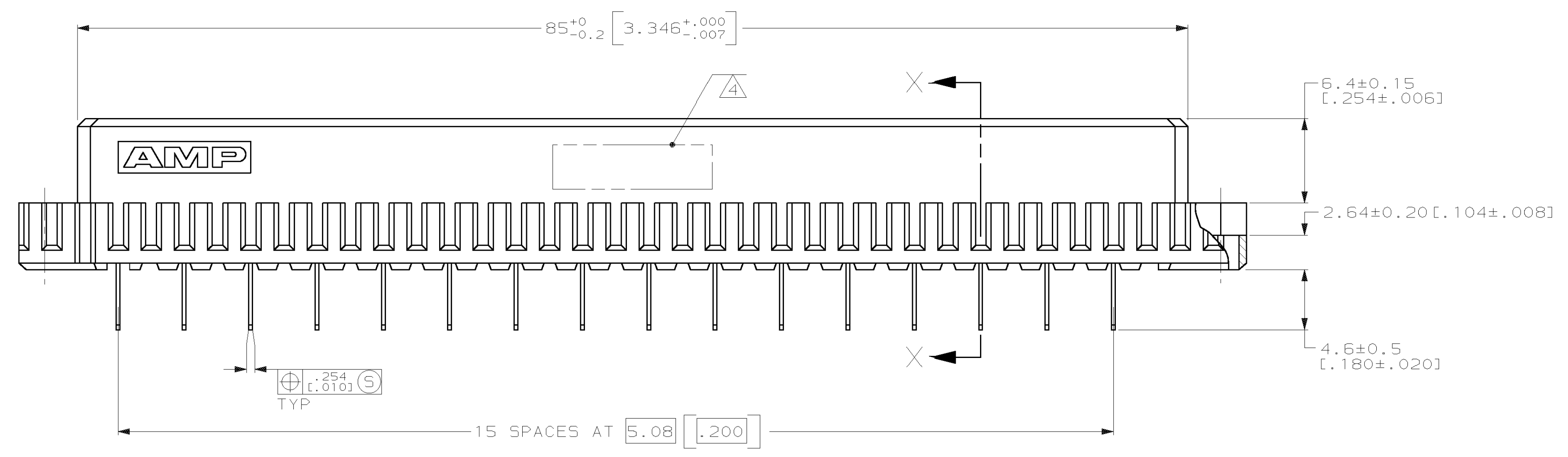
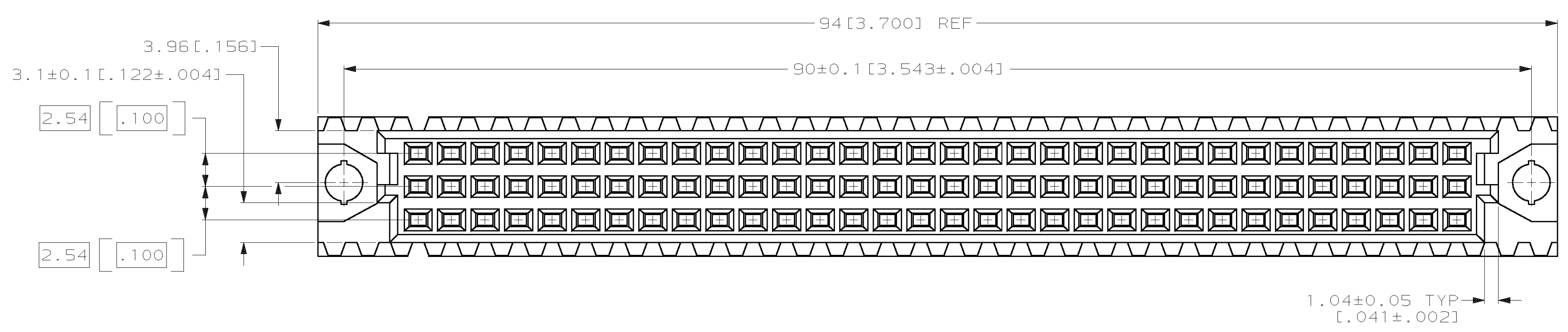


LOC	DIST	P	F	ZONE	LTR	DESCRIPTION	DATE	APPD
AD	25					EC 0010-1455-95	1/23/96	CR
						EC 0010-1484-95	4/1/96	CR
						REV PER EC OUTB-0367-00	09 JAN 01	CR



- 1 HOUSING MATERIAL: GLASS-FILLED POLYESTER. COLOR: GRAY.
- 2 CONTACT MATERIAL: PHOSPHOR BRONZE.
- 3 CONTACT FINISH: 0.00076[.000030] GOLD IN CONTACT AREA. 0.00127[.000050] NICKEL UNDERPLATE ALL OVER. TIN-LEAD ON POSTS.
- 4 PART NUMBER, DATE CODE IDENTIFICATION, CSA LOGO IN THIS APPROXIMATE AREA ON REVERSE SIDE.
- 5 POINT OF MEASUREMENT FOR GOLD.
- 6 RECOMMENDED HOLE SIZE FOR MANUAL APPLICATION OF CONNECTOR ONTO PC BOARD.
- 7 CONTACT FINISH: DIN 41612 CLASS 2 IN CONTACT AREA. TIN-LEAD ON POSTS.

SUPERSEDED BY 650463-5	POSITIONS LOADED	C	B	A	NO. OF LOADED POSITION	ASSY PART NUMBER
2,4,6,8...30,32	X	-	X	32	650463-4	

DO NOT SCALE PRINT. UNLESS SPECIFIED DIMENSIONS IN mm [INCHES]. TOLERANCES ON: 1 PLC DEC ± - 2 PLC DEC ± 0.13 [.005] ANGLES ± -	DR L. BRINER 3/13/90	AMP INCORPORATED Harrisburg, Pa. 17105			
	CHK N. DRASHER 3/22/90	RECEPTACLE ASSEMBLY, EUROCARD, TYPE "C"			
	APPD N. DRASHER 3/22/90	NAME			
	APPD K.R. PARMER 3/23/90	PRODUCT SPEC			
HSG	APPLICATION SPEC	SIZE D	FSCM NO 00779	DRAWING NO 650463	
CONT	WEIGHT -	SCALE 4:1	SHEET 1 OF 1		