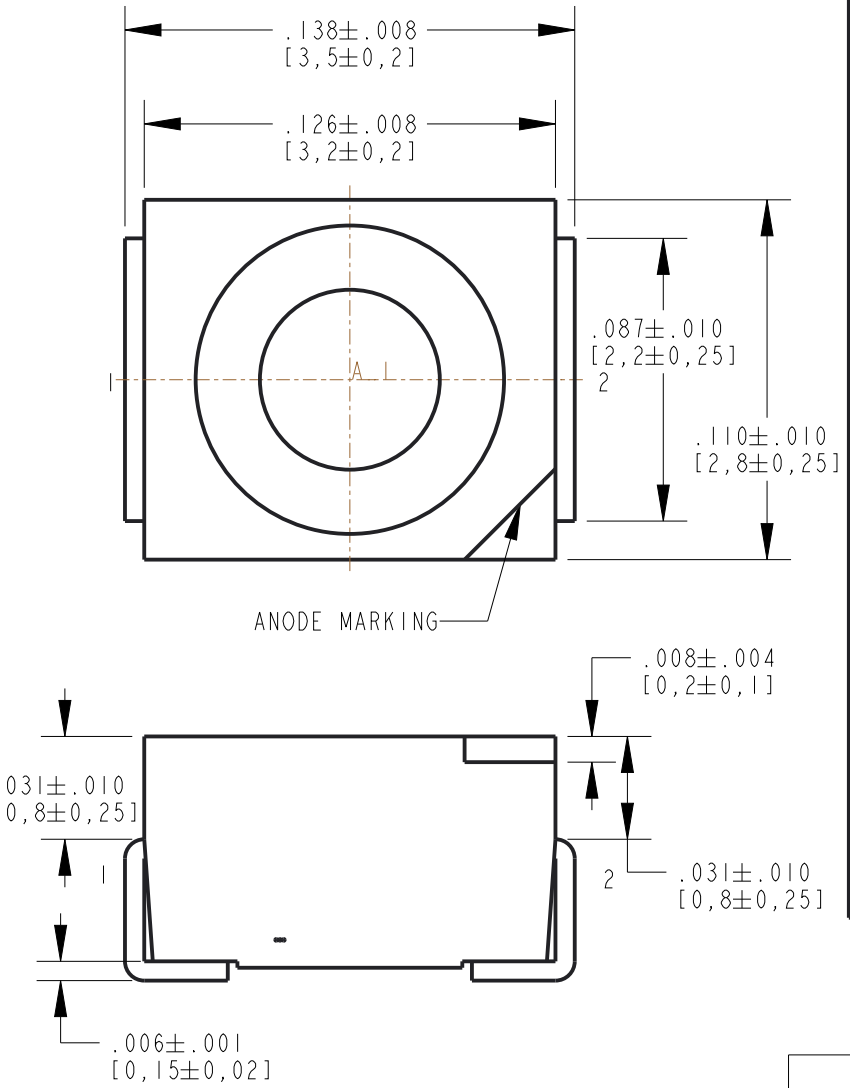
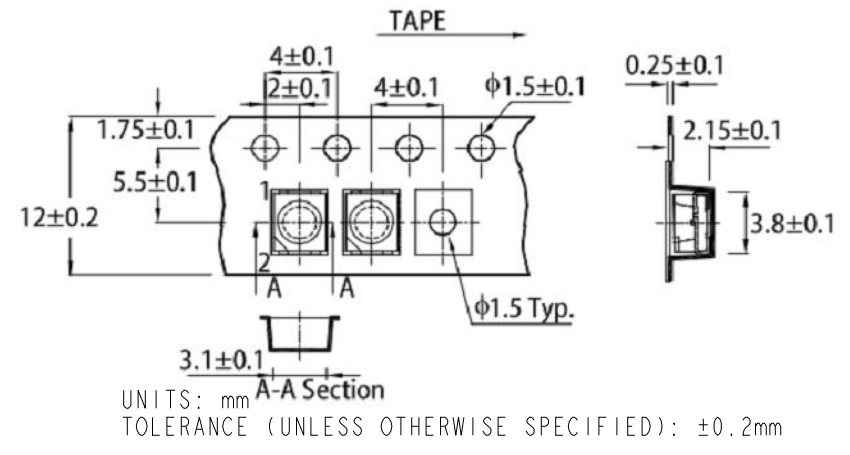


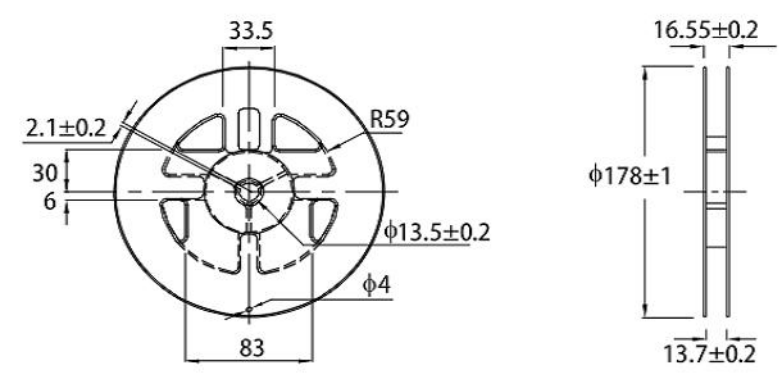
| DIALIGHT PART NUMBER | LED COLOR (nm) |
|-----------------------|----------------|
| 597-3121-202NF, 207NF | RED (640) |



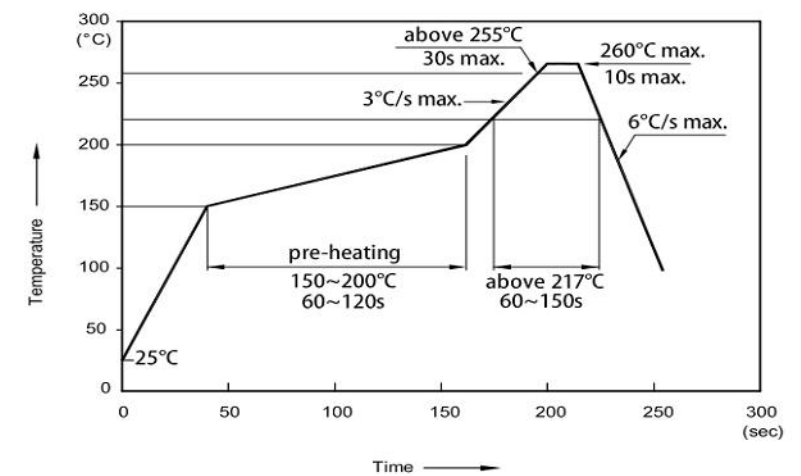
TAPE SPECIFICATIONS (units : mm)



REEL DIMENSION (units : mm)



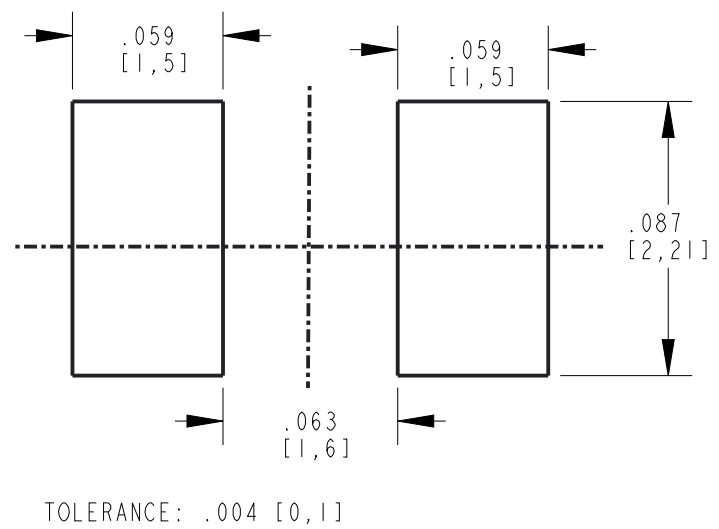
| REV | REVISIONS | DRN | APP | DATE |
|-----|--|-----|-----|---------|
| A | NEW RELEASE | LD | NO | 1-14-21 |
| B | CATHODE MARK WAS INCORRECT AND CHANGED TO ANODE MARK | LD | NO | 7-9-21 |
| C | REVISED NOTE 2 | LD | CS | 6-3-22 |



RECOMMENDED RoHS SOLDER PROFILE

| MARK | DEFINITION | CONDITION |
|------------------|--|-----------------|
| T _{max} | Maximum of pre-heating temperature | 260 °C |
| T _{min} | Minimum of pre-heating temperature | 150 °C |
| T _s | Time form T _{min} to T _{max} | 60-120 sec |
| T _L | Temperature Liquidus | 217 °C |
| t _L | Time above liquidus temperature | within 90s |
| T _p | Peak Temperature | 255 °C |
| t _p | Time for peak temperature | within 30s |
| DTr/Dt | Temperature rising rate | under 3° C/sec |
| DTd/Dt | Temperature decreasing rate | under -6° C/sec |

RECOMMENDED SOLDER PAD LAYOUT



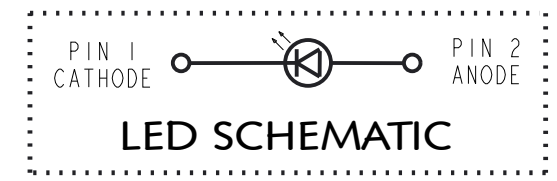
| OPERATING CHARACTERISTICS AT T = 25°C AND I _F = 20mA | | | | | | | | | | | |
|---|----------------------|--------------------------|-----|--------------------------|-----|-----|-----------------------|--------------------------------------|-----|-----|------------------------------|
| LED COLOR | PEAK WAVELENGTH (nm) | LUMINOUS INTENSITY (mcd) | | DOMINANT WAVELENGTH (nm) | | | REVERSE CURRENT (MAX) | FORWARD VOLTAGE I _F =20mA | | | VIEWING ANGLE (DEG) @ 50% IV |
| | | TYP | MIN | TYP | MAX | MIN | | TYP | MAX | | |
| RED | 655 | 80 | 150 | | | 640 | 10µA @ VR=5V | 1.85 | 2.5 | 120 | |

| ABSOLUTE MAXIMUM RATINGS AT T = 25°C | | | | | | | |
|--------------------------------------|----------------------|------------------------|---------------------|----------------------------|--------------------------|---------------------------|---------|
| LED COLOR | FORWARD CURRENT (mA) | POWER DISSIPATION (mW) | REVERSE VOLTAGE (V) | OPERATING TEMPERATURE (°C) | STORAGE TEMPERATURE (°C) | JUNCTION TEMPERATURE (°C) | ESD (V) |
| RED | 30 | 75 | 5 | -40 TO +85 | -40 TO +85 | 115 | 3000 |

- NOTES:**
- PIN NUMBERS ARE FOR REFERENCE ONLY, DESIGNATION NON-EXISTENT ON PART.
 - 597-3121-202NF: 20 PCS PER SAMPLE STRIP
597-3121-207NF: 2000 PCS PER REEL.
 - MOISTURE SENSITIVITY LEVEL IS 3
 - THIS ASSEMBLY CONTAINS ELECTROSTATIC DISCHARGE SENSITIVE DEVICES (ESDS). MAINTAIN ALL PRECAUTIONARY MEASURES DURING ASSEMBLY, HANDLING AND STORAGE IN ACCORDANCE WITH IPC-A-610.
 - THIS PRODUCT IS RoHS COMPLIANT. EACH BAG IS TO BE MARKED WITH RoHS COMPLIANT LABEL OR EQUIVALENT MARKINGS. LED MUST BE Pb FREE.



ATTENTION:
OBSERVE PRECAUTIONS FOR
HANDLING ELECTROSTATIC
SENSITIVE DEVICES



| | | |
|---|---|-----|
| THIS DRAWING AND THE CONTENTS HEREIN ARE CONFIDENTIAL AND THE SOLE PROPERTY OF DIALIGHT CORP. REPRODUCTION OF THIS DRAWING OR CONSTRUCTION OF ANY PARTS WITHIN THIS DRAWING ARE FORBIDDEN WITHOUT THE WRITTEN CONSENT OF DIALIGHT CORP. | | |
| DIALIGHT CORP INTERNAL REFERENCE ONLY = 3D MODEL : 450052185XX12-A.7 | | |
| SCALE: 30.000 | DRAWING NUMBER | REV |
| ALL DIM's: INCH (mm) | C-18456 | B |
| TOLERANCES: UNLESS OTHERWISE SPECIFIED | TITLE | |
| FRACTIONS: ±1/64 | SM PLCC 2 | |
| DECIMALS (.XX): ±.01 | MATERIAL | |
| DECIMALS (.XXX): ±.005 | FINISH | |
| DECIMALS (.XXXX): ±.0005 | FSCM 83330 | |
| ANGLES: ±1° | SHEET 1 OF 1 | |
| | FAMILY TABLE: | |
| | 1501 ROUTE 34 SOUTH FARMINGDALE, NJ 07727 (732) 919-3119 www.dialight.com | |