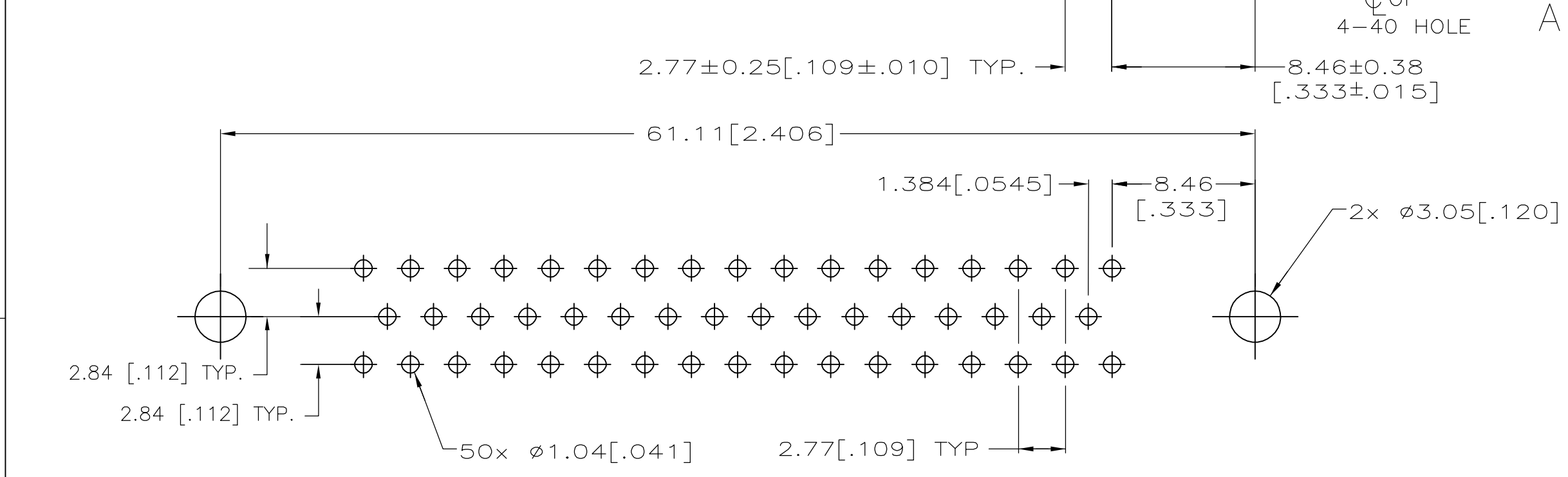
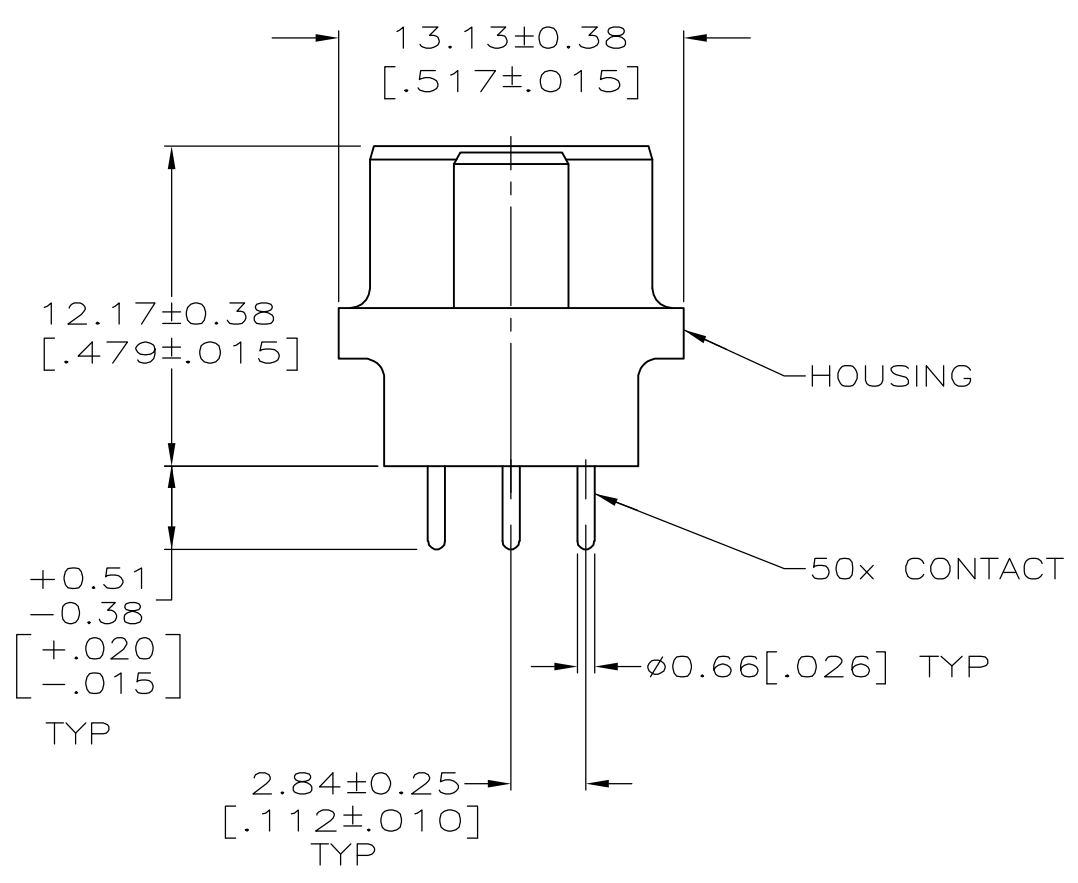
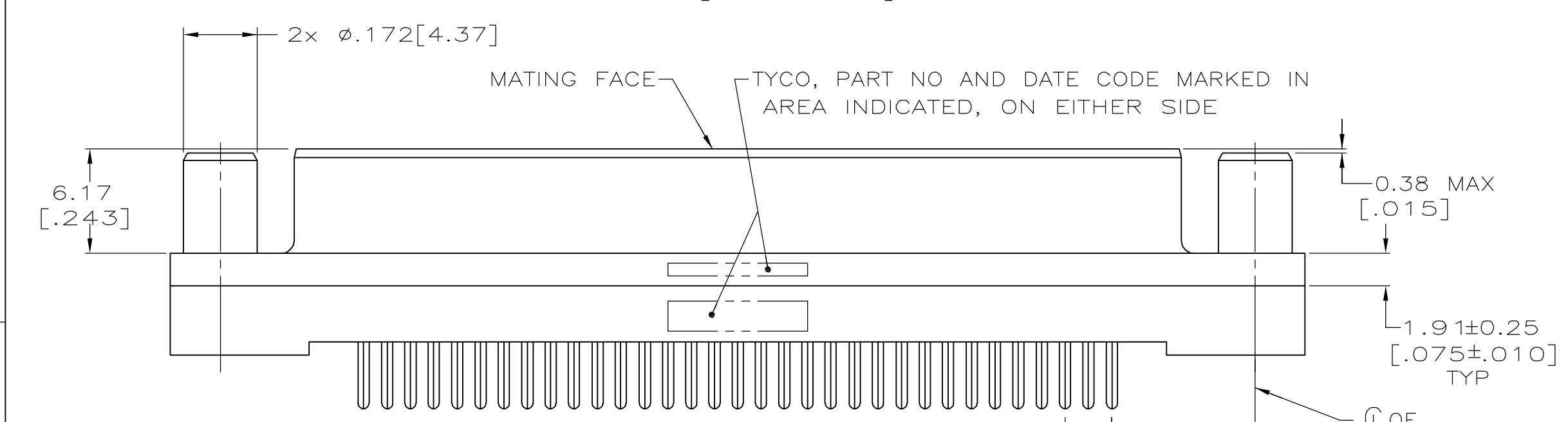


LOC	DIST	REVISIONS					
GP	00	P	LTR	DESCRIPTION	DATE	DWN	APVD
		0		RELEASED PER EC 0S13-0087-05	14SEP05	GP	JG

- 1 HOUSING: BLACK POLYESTER, UL 94V-0 RATED; CONTACTS: PHOSPHOR BRONZE; SCREWLOCKS: BRASS.
- 2 CONTACTS: 0.76 μm [.000030] MIN GOLD FOR A LENGTH OF 2.54 [.100] MIN FROM MATING END, 2.54 μm [.000100] MIN TIN ON OPPOSITE END, ALL OVER 1.27 μm [.000050] MIN NICKEL. SCREWLOCKS: 1.27 μm [.000050] MIN NICKEL OVER COPPER FLASH.



4.32 [.170]	5745080-6
3.18 [.125]	5745080-4
A	PART NO

RECOMMENDED PC BOARD MOUNTING DIMENSIONS

**COPYRIGHT 2005
TYCO ELECTRONICS CORP
ALL RIGHTS RESERVED**

THIS DRAWING IS A CONTROLLED DOCUMENT.		DWN	G.PETERS	14SEP05	tyco Electronics	Tyco Electronics Corporation Harrisburg, PA 17105-3608			
DIMENSIONS: mm [INCHES]		CHK	S.BOLASH	14SEP05		RECEPTACLE ASSEMBLY, SIZE 5, 50 POSN, VERTICAL, AMPLIMITE HD-20			
TOLERANCES UNLESS OTHERWISE SPECIFIED:		APVD	M.WALMSLEY	14SEP05	NAME	108-40025			
0 PLC ± -		PRODUCT SPEC	APPLICATION SPEC			SIZE	CAGE CODE	DRAWING NO	RESTRICTED TO
1 PLC ± -		MATERIAL			WEIGHT	A2	00779	5745080	-
2 PLC ± 0.13 [.005]		FINISH		CUSTOMER DRAWING		SCALE	SHEET	REV	
3 PLC ± -		MATERIAL		CUSTOMER DRAWING		4:1	1 OF 1	0	
4 PLC ± -		MATERIAL		CUSTOMER DRAWING					
ANGLES ± ± 2'		MATERIAL		CUSTOMER DRAWING					