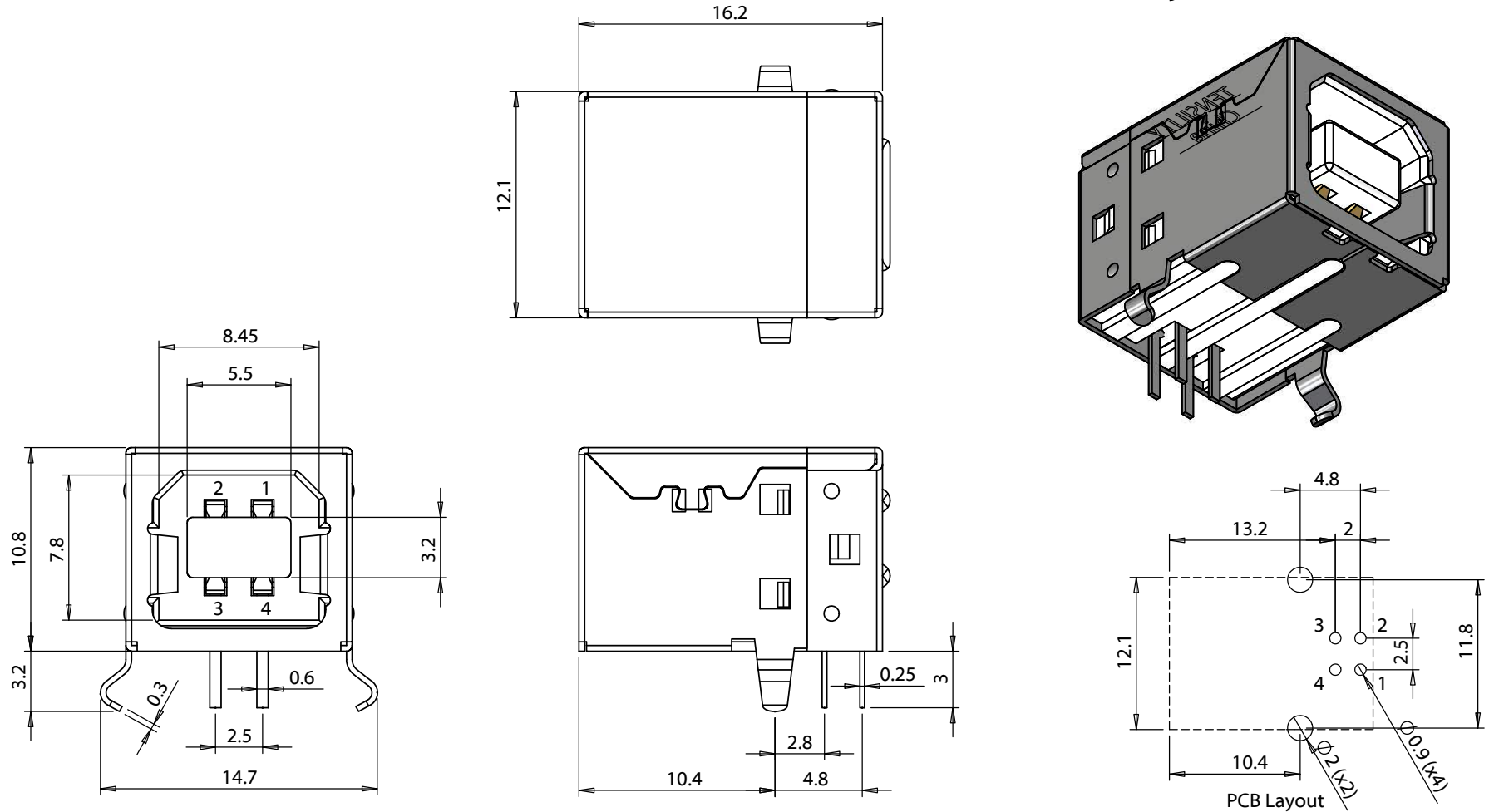
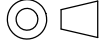


USB B jack 90° PCB mount



Revision:	Date:	Description:	Prepared:	Notes:	TENSILITY
A	10-22/2015	Initial release	GL <small>Digitally signed by GL Date: 2018.08.06 10:51:30 -0700'</small>		
A1	07/30/2018	Corrected operating temp range	Verified: RS <small>Digitally signed by RS Date: 2018.08.09 10:59:09 -0700'</small>	Function test: no open, no short circuit, no intermittent	tel 1.541.323.3228 800 877.670.7118 fax 1.541.323.4202 web tensility.com
			Dimensions are in millimeters. Tolerances: X: ± 0.5 mm X.X: ± 0.3 mm X.XX: ± 0.05 mm	Description: Connector, USB B Jack, PCB mount, 90°, nickel shell, shielded, board lock, white insulator, tray	Size: Part number: A 54-00018
					Scale: 2:1  Sheet 1 of 2

5



4

3

2

1

