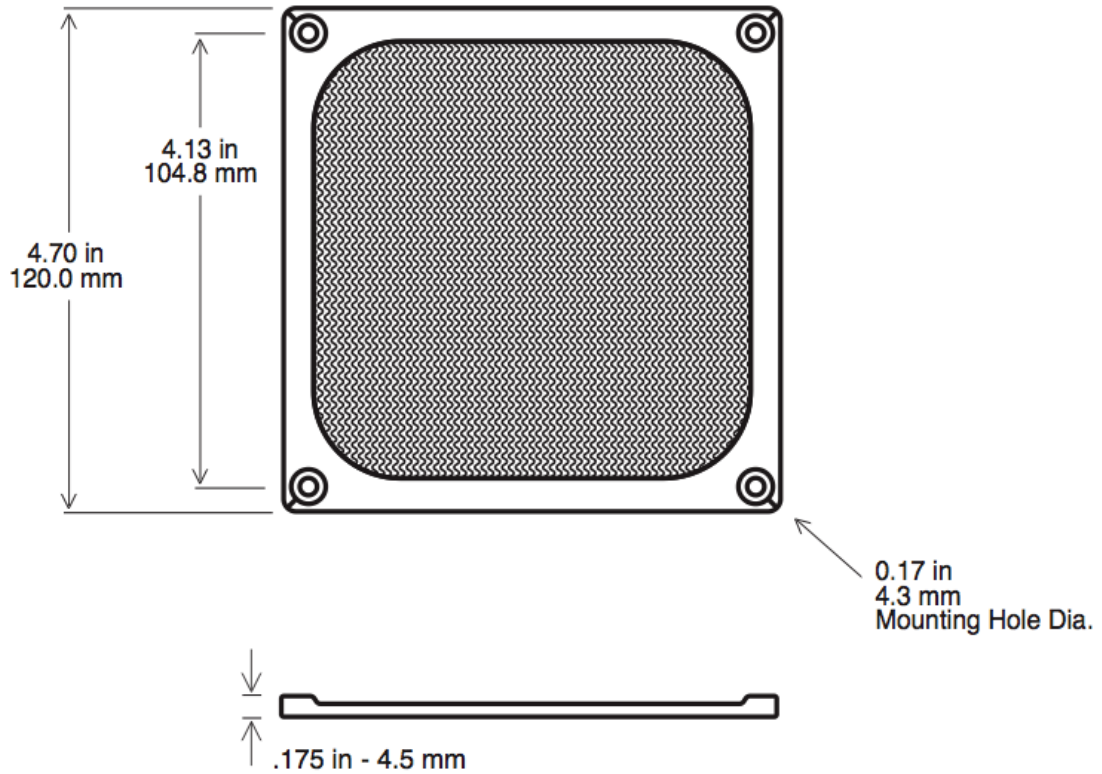


Part Nos. WMG120M, WMG120B



Wire Mesh Guard for 120mm Fan



Aluminum/Stainless filters offer high levels of air passage while efficiently filtering contaminants and shielding EMI/RFI.

Tightly woven stainless corrugated mesh screen
(30x30, 3/16" Pitch, 1/8" Deep)

Filters may be mounted directly onto the fan or to any other housing.

Finishes:
Mill - Natural Aluminum
(suffix "M")



Black Anodized
(suffix "B")



| Part No. | Description |
|------------|--|
| WMG120M | Aluminum Fan Filter, mill finish |
| WMG120B | Aluminum Fan Filter, black finish |
| WMG120M/PK | 10-pack mill finish Aluminum filter, boxed |
| WMG120B/PK | 10-pack black Aluminum filter, boxed |