

## Flat suction pad (round)

SUF 40 HT1-60 G1/8-AG

Part no.:10.01.01.14107

<https://www.schmalz.com/10.01.01.14107>

Home > Vacuum Technology for Automation > Vacuum Components > Vacuum Suction Cups > Flat Suction Cups (Round) > Flat Suction Cups SUF > SUF 40 HT1-60 G1/8-AG

### Flat suction cup (round) for process safe handling of smooth or slightly rough surfaces



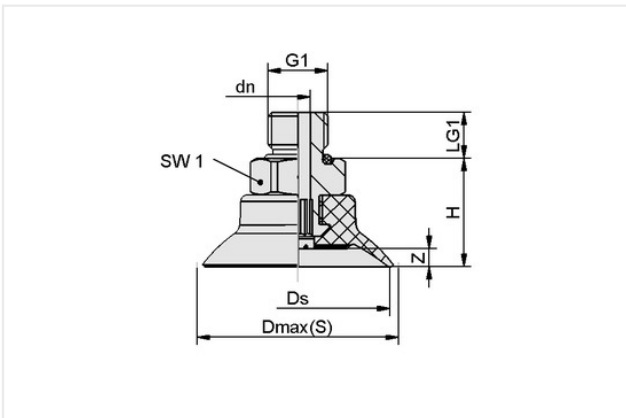
Size: 40

Suction cup material: High temp material HT1

Material hardness [Shore A]: 60 Shore A

Vacuum connection: G1/8"-M

### Design Data



Attribute	Value
Dmax(S)	44 mm
Ds	40 mm
dn	4.10 mm
G1	G1/8"-M
H	23.20 mm
LG1	7.50 mm
SW1	17 mm
Z (Stroke)	4 mm

### Technical Data

Attribute	Value
Suction force (-600mbar)	61 N
Pull-off force	61 N
Volume	3.80 cm <sup>3</sup>
Curve radius (min) (convex)	50 mm
Hose diameter (empf.) d	4 mm
Size	40
Suction cup material	High temp material HT1
Material hardness [Shore A]	60 Shore A

### Contact Schmalz

Schmalz Inc. | 5850 Oak Forest Drive, Raleigh, NC 27616, United States | +1 (919) 713-0880 | [schmalz.us@schmalz.com](mailto:schmalz.us@schmalz.com)

## Flat suction pad (round)

SUF 40 HT1-60 G1/8-AG

Part no...:10.01.01.14107

<https://www.schmalz.com/10.01.01.14107>

Weight	17.10 g
Product family	SUF
Number of folds	0

Note: Suction force: The specified suction forces are theoretical values at a vacuum of -0.6 bar and with a dry, smooth and flat workpiece surface - they do not include a safety factor  
Hose diameter: The recommended hose diameter refers to a hose length of approx. 2 m

### Spare parts



#### SC 050 G1/8-AG

Part no...:10.01.06.04250

Connection geometry: 050

Vacuum connection: G1/8"-M

Fitting length: 7.2 mm

Nominal diameter dn: 4.1 mm



#### SUF 40 HT1-60 SC050

Part no...:10.01.01.13995

Size: 40

Suction cup material: High temp material HT1

Material hardness [Shore A]: 60 Shore A