

NOTES

- ① 材料及び仕上げ(めっき仕様) : TABLE 1 参照
MATERIAL AND FINISHES : SEE TABLE 1
- 2. 製品仕様書 : 5019390000-PS PS 002
PRODUCT SPECIFICATION:
- 3. 梱包形態 : SEE SHEET 4
PACKAGING INFORMATION:
- ④ 嵌合相手 : 501939 シリーズ
MATES WITH : 501939 SERIES
- 5. アプリケーション仕様書(コネクタ取扱い説明書) : 5013300000-AS PS 001
APPLICATION SPECIFICATION(CONNECTOR MANUAL):
- 6. ソルダーピン及びネイルの平坦度:0.1 MAX
SOLDER PIN AND NAIL COPLANARITY:
- ⑦ 偶数極に適応
APPLY FOR EVEN CIRCUIT
- 8. 金めっき品は2083830000-SD PSD 000の図面を御参照下さい。
PLEASE REFER TO THE DRAWING OF 2083830000-SD PSD 000 FOR GOLD PLATING VERSION

⑨ 製品番号構成 : 発注番号はTABLE 2 参照
PRODUCT NUMBER COMPOSITION
ORDER No. : SEE TABLE 2

208383 * * * *

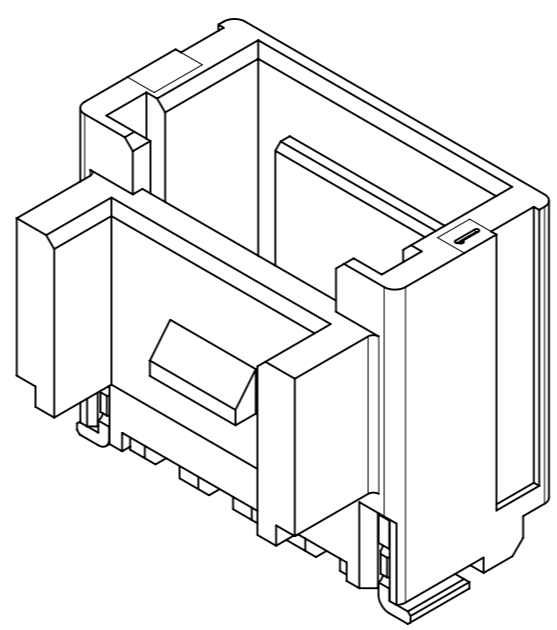
極数 CIRCUIT SIZE	ハウジングカラー HOUSING COLOR	製品識別番号 IDENTIFICATION NUMBER
	0:NATURAL(BEIGE) 1:BLACK	9: TIN PLATING

⑨ TABLE 2

				HOUSING COLOR		
				BLACK	NATURAL(BEIGE)	
5.2	6.5	4.0	7.0	208383 0519	208383 0509	5
	5.5	3.0	6.0	208383 0419	208383 0409	4
4.2	4.5	2.0	5.0	208383 0319	208383 0309	3
D	C	B	A	発注番号 ORDER No.		極数 CIRCUIT SIZE
極数別 寸法 DIMENSION				梱包形態 : インボス梱包 PACKAGING STYLE : EMBOSSED TAPE AND REEL		

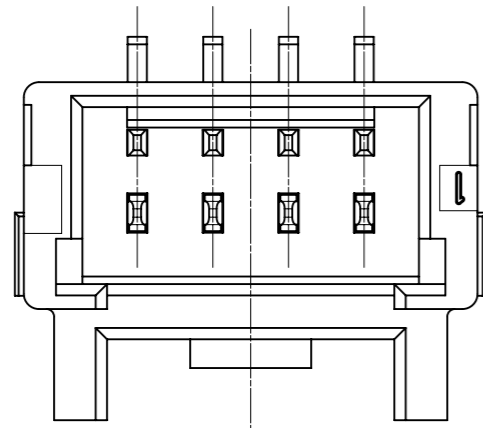
① TABLE 1

番号 NO.	部品 PART	材質 MATERIAL	
①	ウエハー WAFER	ポリアミド(PA), ガラス充填, UL94V-0, LOW HALOGEN, 色 : SEE TABLE 2 POLYAMIDE(PA), GLASS FILLED, UL94V-0, LOW HALOGEN, COLOR : SEE TABLE 2	
②	ソルダーピン SOLDER PIN	リン青銅 PHOSPHOR BRONZE	
		接点部 CONTACT AREA	錫めっき : 1.0 MICRO-METER MIN MATTE TIN PLATING
		テール部 TAIL AREA	ニッケルめっき : 1.0 MICRO-METER MIN NICKEL PLATING
③	ネイル NAIL	リン青銅 PHOSPHOR BRONZE	
		テール部 TAIL AREA	錫めっき : 1.0 MICRO-METER MIN MATTE TIN PLATING
		下地めっき UNDER PLATING	ニッケルめっき : 1.0 MICRO-METER MIN NICKEL PLATING
④	カバーテープ COVER TAPE	ポリイミドテープ POLYIMIDE TAPE	



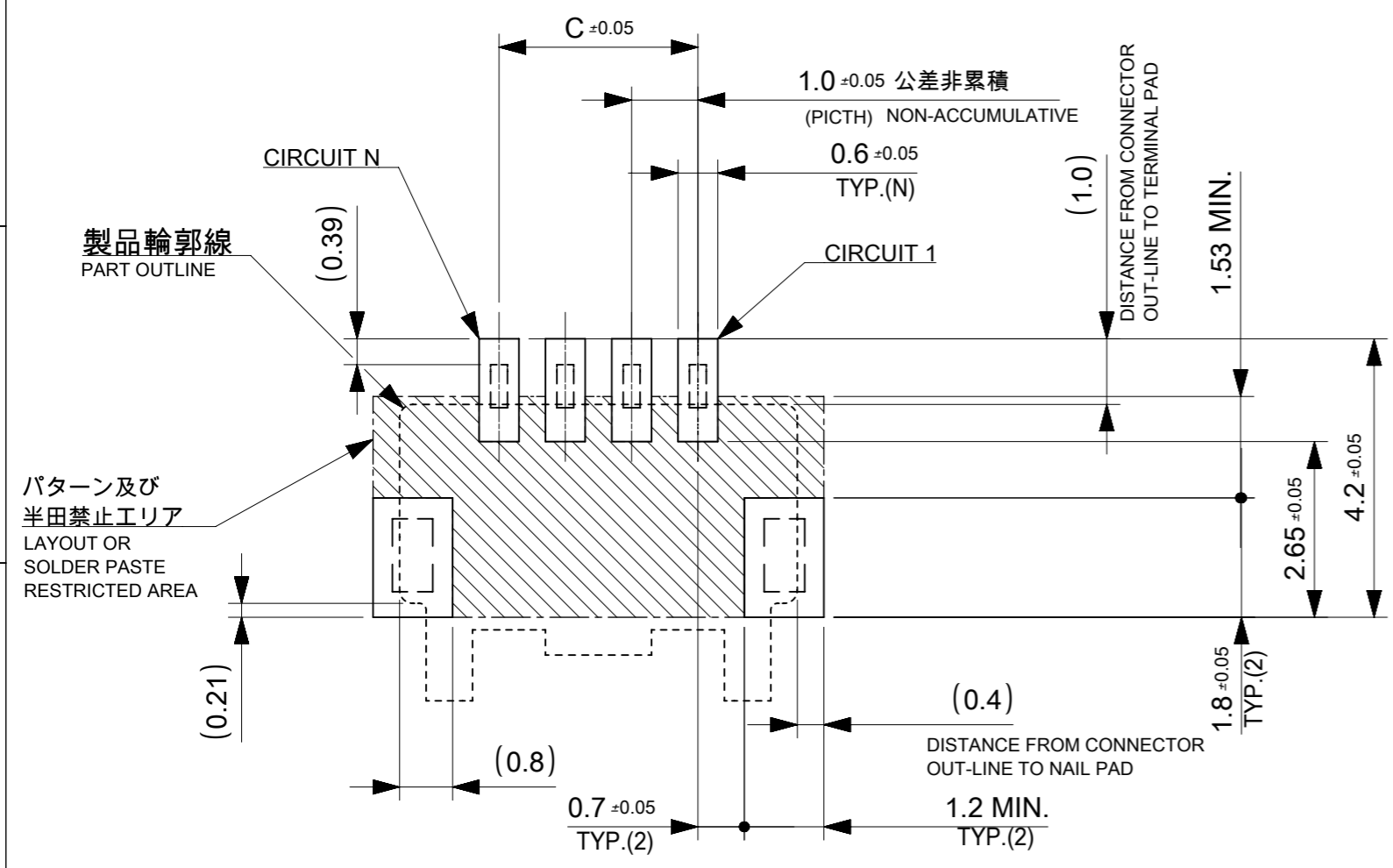
THIS DRAWING CONTAINS INFORMATION THAT IS PROPRIETARY TO MOLEX ELECTRONIC TECHNOLOGIES, LLC AND SHOULD NOT BE USED WITHOUT WRITTEN PERMISSION

DIMENSION UNITS	SCALE	CURRENT REV DESC:		molex		
mm	NTS					
GENERAL TOLERANCES (UNLESS SPECIFIED)				PICO-CLASP 1.0 W/B SINGLE ROW VT SMT OUTER LOCK TIN PLATING LOW HALOGEN		
ANGULAR TOL	± 3.0 °	EC NO: 630585		PRODUCT CUSTOMER DRAWING		
4 PLACES	± 0.2	DRWN: AISHIKAWA 2019/10/11		DOCUMENT NUMBER		
3 PLACES	± 0.2	CHK'D: AIDA 2020/01/21		DOC TYPE DOC PART REVISION		
2 PLACES	± 0.2	APPR: SAKIYAMA 2020/01/21		2083830000-SD PSD 001 A		
1 PLACE	± 0.2	INITIAL REVISION:		SEE SHEET 5		
0 PLACES	± 0.2	DRWN: AISHIKAWA 2019/10/11		SHEET NUMBER		
DRAFT WHERE APPLICABLE MUST REMAIN WITHIN DIMENSIONS		THIRD ANGLE PROJECTION	DRAWING	SERIES	MATERIAL NUMBER	CUSTOMER
			A3-SIZE	208383	SEE SHEET 5	1 OF 4



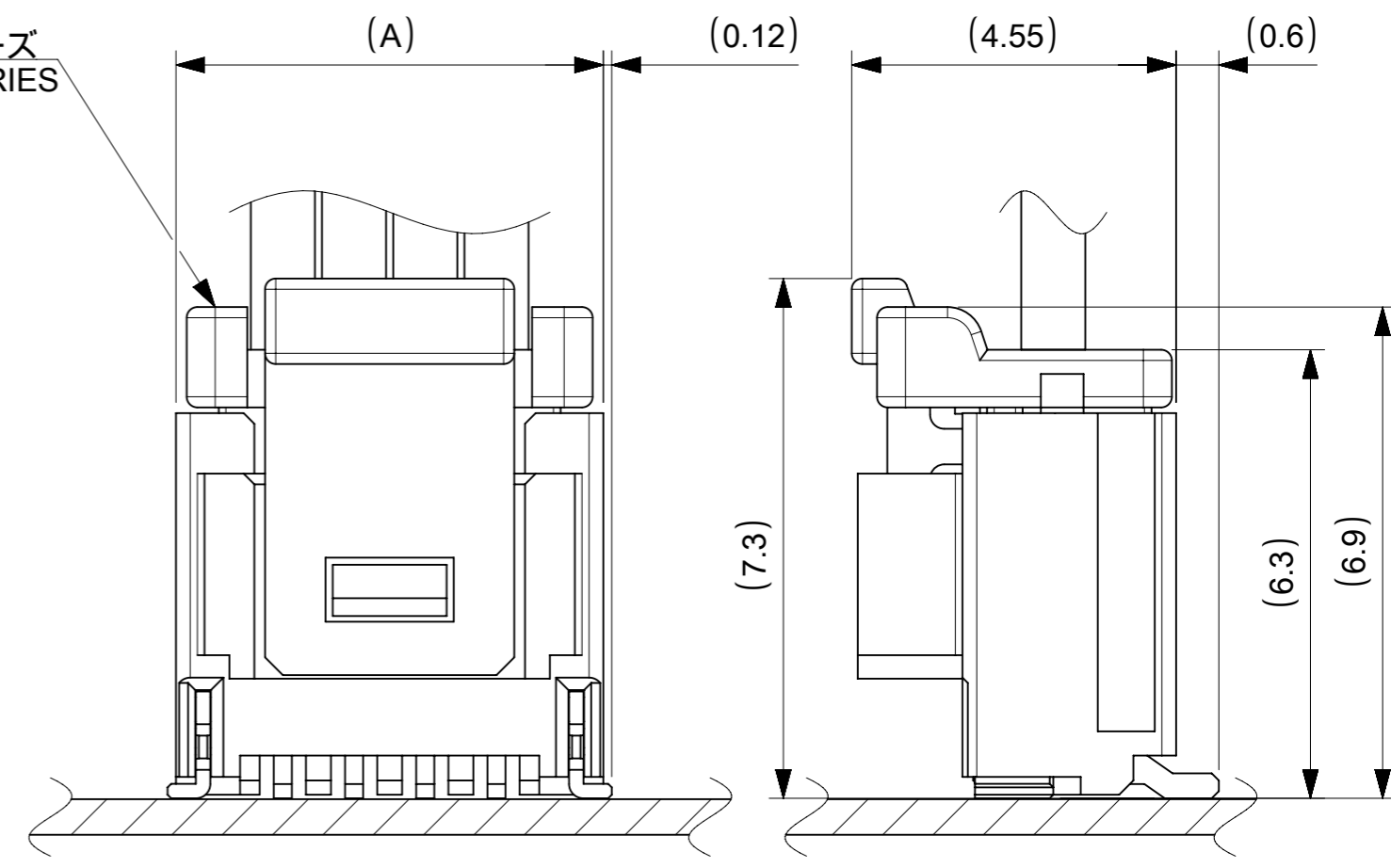
製品レイアウト
PRODUCT LAYOUT

△4 嵌合相手 : 501939 シリーズ
MATE WITH : 501939 SERIES



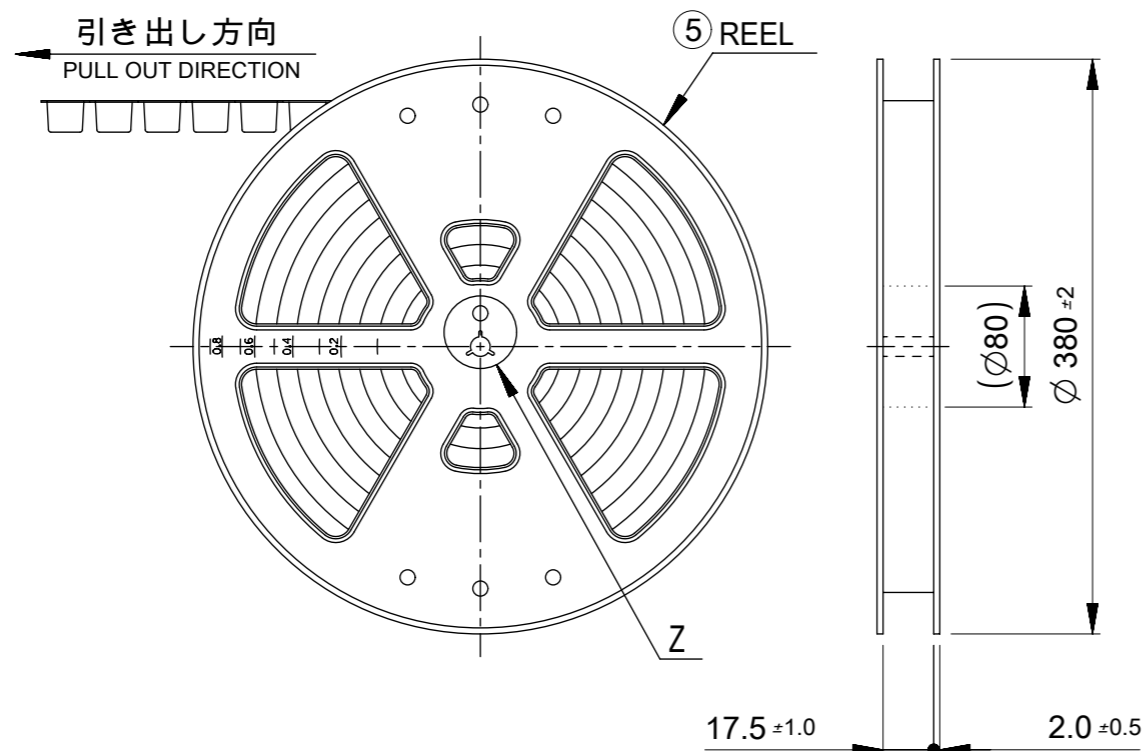
推奨基板レイアウト(全極数適応) : 実装面側
(参考 : 基板厚 1.0mm, メタルマスク厚さ 0.12mm, マスク開口率100%)
POLARIZED RECOMMENDED PCB LAYOUT(APPLY TO ALL CIRCUIT) : COMPONENT SIDE
(REFERENCE: PCB THICKNESS 1.0mm, STENCIL THICKNESS 0.12mm, APERTURE RATIO 100%)

:パターン禁止エリア
RESTRICTED AREA
NO PCB COMPONENTS ALLOWED



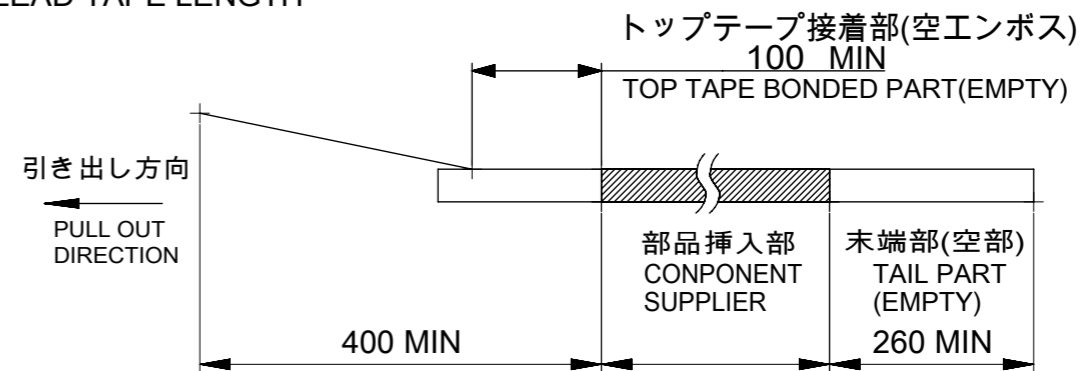
嵌合図
MATED CONNECTORS

THIS DRAWING CONTAINS INFORMATION THAT IS PROPRIETARY TO MOLEX ELECTRONIC TECHNOLOGIES, LLC AND SHOULD NOT BE USED WITHOUT WRITTEN PERMISSION		CURRENT REV DESC:		molex	
DIMENSION UNITS	SCALE				
mm	NTS			PICO-CLASP 1.0 W/B SINGLE ROW VT SMT OUTER LOCK TIN PLATING LOW HALOGEN	
GENERAL TOLERANCES (UNLESS SPECIFIED)		EC NO: 630585		PRODUCT CUSTOMER DRAWING	
ANGULAR TOL	± 3.0 °	DRWN: AISHIKAWA	2019/10/11	DOCUMENT NUMBER	
4 PLACES	± 0.2	CHK'D: AIDA	2020/01/21	2083830000-SD	
3 PLACES	± 0.2	APPR: SAKIYAMA	2020/01/21	DOC TYPE	DOC PART
2 PLACES	± 0.2	INITIAL REVISION:		PSD	001
1 PLACE	± 0.2	DRWN: AISHIKAWA	2019/10/11	REVISION	
0 PLACES	± 0.2	APPR: SAKIYAMA	2020/01/21	A	
DRAFT WHERE APPLICABLE MUST REMAIN WITHIN DIMENSIONS		THIRD ANGLE PROJECTION	DRAWING	SERIES	MATERIAL NUMBER
			A3-SIZE	208383	CUSTOMER
				SEE SHEET 5	SHEET NUMBER
				2 OF 4	

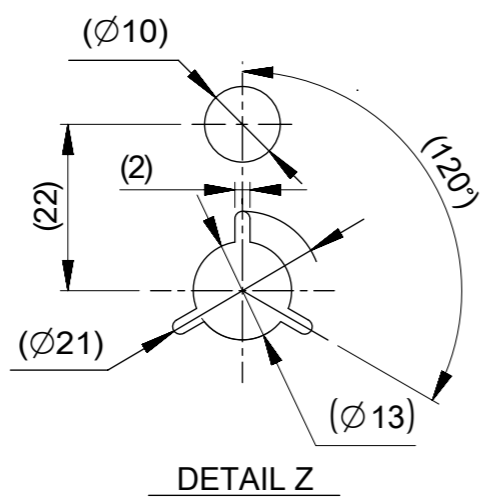


NOTES

- 10. 梱包数量:1100個/リール
NUMBER OF CONNECTORS : 1100 PIECES/REEL
- 11. リードテープ長さ
LEAD TAPE LENGTH



- 12. トップテープの剥離強度はIEC60286-3に準拠。
TOP TAPE PEELING FORCE IS DEFINED BY IEC60286-3.
- 13. 梱包仕様書 : 2083839200-SPK PS 200
PACKAGE SPECIFICATION:



THIS DRAWING CONTAINS INFORMATION THAT IS PROPRIETARY TO MOLEX ELECTRONIC TECHNOLOGIES, LLC AND SHOULD NOT BE USED WITHOUT WRITTEN PERMISSION		CURRENT REV DESC:		molex	
DIMENSION UNITS	SCALE				
mm	NTS			PICO-CLASP 1.0 W/B SINGLE ROW VT SMT OUTER LOCK TIN PLATING LOW HALOGEN	
GENERAL TOLERANCES (UNLESS SPECIFIED)		EC NO: 630585		PRODUCT CUSTOMER DRAWING	
ANGULAR TOL	± 3.0 °	DRWN: AISHIKAWA	2019/10/11	DOCUMENT NUMBER	
4 PLACES	± 0.2	CHK'D: AIDA	2020/01/21	2083830000-SD	
3 PLACES	± 0.2	APPR: SAKIYAMA	2020/01/21	DOC TYPE	DOC PART
2 PLACES	± 0.2	INITIAL REVISION:		PSD	001
1 PLACE	± 0.2	DRWN: AISHIKAWA	2019/10/11	REVISION	
0 PLACES	± 0.2	APPR: SAKIYAMA	2020/01/21	A	
DRAFT WHERE APPLICABLE MUST REMAIN WITHIN DIMENSIONS		THIRD ANGLE PROJECTION	DRAWING	SERIES	MATERIAL NUMBER
			A3-SIZE	208383	CUSTOMER
				SEE SHEET 5	SHEET NUMBER
				3 OF 4	

番号 NO.	部品 PART	材質 MATERIAL
⑤	リール REEL	ポリスチレン(PS) <リサイクル材を含む> POLYSTYRENE(PS) <RECYCLE MATERIAL CONTAINED>
DOCUMENT STATUS	P1	RELEASE DATE 2020/01/21 04:06:39

引き出し方向
PULL OUT DIRECTION

16mm幅テープ
TAPE WIDTH:16mm

⑦ TOP TAPE

CONNECTOR

⑥ CARRIER TAPE

SECTION Y-Y

SECTION X-X

(7.5) コネクター中心位置
CENTER OF CONNECTOR

(2.0) エンボスポケット中心位置
CENTER OF EMBOSSED POCKET

累積ピッチ : 40 ±0.2
ACUUMLATIVE PITCH:

CIRCUIT 1 $\phi 1.5^{+0.1}_{0.0}$

1.75 ±0.1

16.0 ±0.3

0.5 ±0.05

(5.65)

(5.8)

(6.8)

12.0 ±0.1

(5.65)

(2.55)

(D)

8.3	5
7.3	4
6.3	3
D	極数 CIRCUIT SIZE

THIS DRAWING CONTAINS INFORMATION THAT IS PROPRIETARY TO MOLEX ELECTRONIC TECHNOLOGIES, LLC AND SHOULD NOT BE USED WITHOUT WRITTEN PERMISSION		CURRENT REV DESC:		molex	
DIMENSION UNITS	SCALE	EC NO: 630585			
mm	NTS	DRWN: AISHIKAWA 2019/10/11		SINGLE ROW VT SMT OUTER LOCK TIN PLATING LOW HALOGEN	
GENERAL TOLERANCES (UNLESS SPECIFIED)		CHK'D: AIDA 2020/01/21		PRODUCT CUSTOMER DRAWING	
ANGULAR TOL	± 3.0 °	APPR: SAKIYAMA 2020/01/21		DOCUMENT NUMBER	
4 PLACES	± 0.2	INITIAL REVISION:		2083830000-SD	
3 PLACES	± 0.2	DRWN: AISHIKAWA 2019/10/11		DOC TYPE	DOC PART
2 PLACES	± 0.2	APPR: SAKIYAMA 2020/01/21		PSD	001
1 PLACE	± 0.2	MATERIAL NUMBER		CUSTOMER	REVISION
0 PLACES	± 0.2	SEE SHEET 5			A
DRAFT WHERE APPLICABLE MUST REMAIN WITHIN DIMENSIONS		THIRD ANGLE PROJECTION	DRAWING	SERIES	SHEET NUMBER
			A3-SIZE	208383	4 OF 4

番号 NO.	部品 PART	材質 MATERIAL
⑥	キャリアテープ CARRIER TAPE	ポリプロピレン(PP)、その他 POLYPROPYLEN(PP), etc
⑦	トップテープ TOP TAPE	ポリエチレン(PE)、その他 POLYETHYLENE(PE), etc

DOCUMENT STATUS	P1	RELEASE DATE	2020/01/21	04:06:39
-----------------	----	--------------	------------	----------