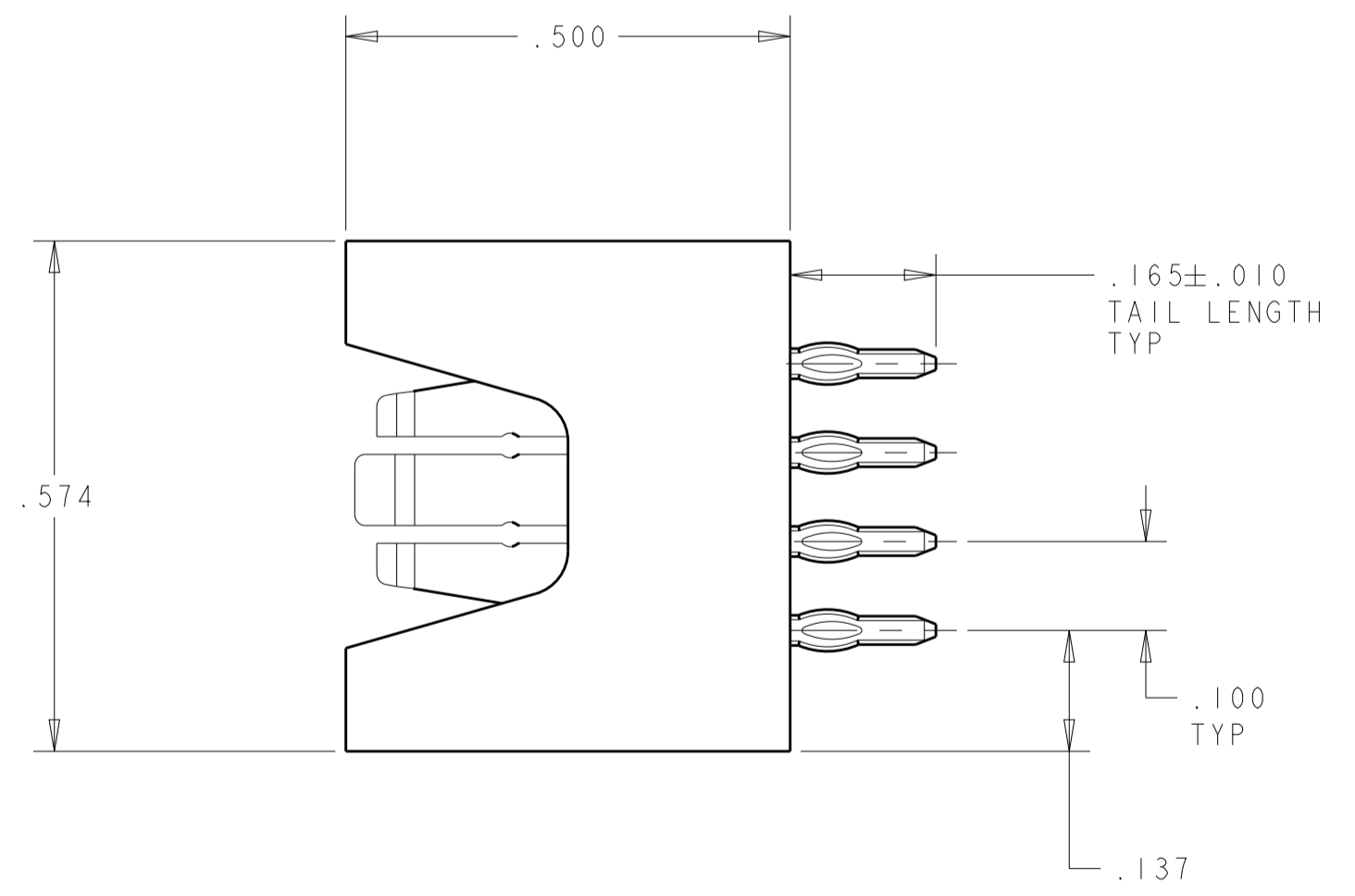
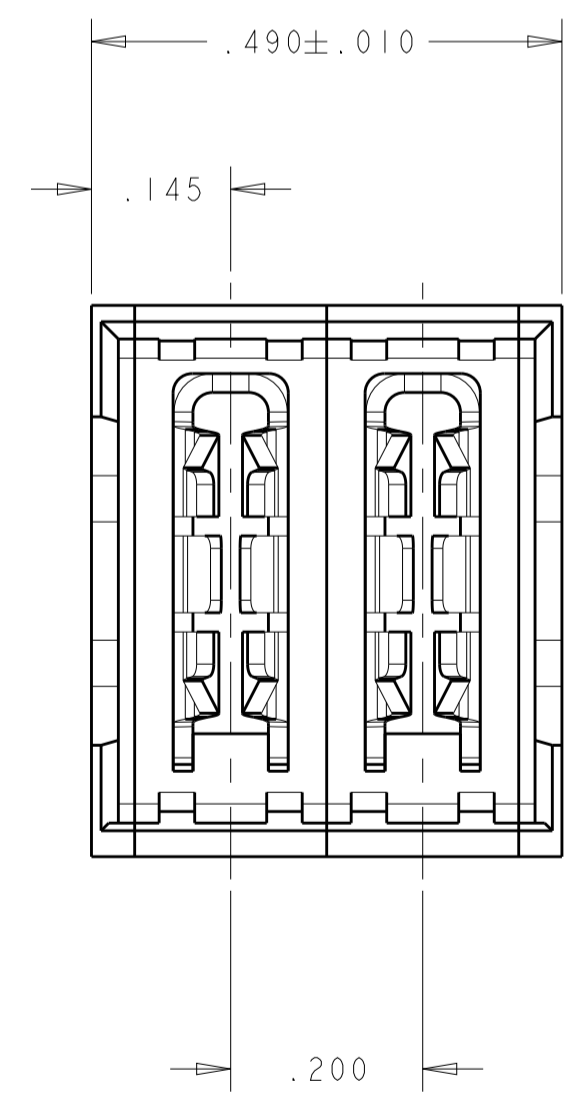
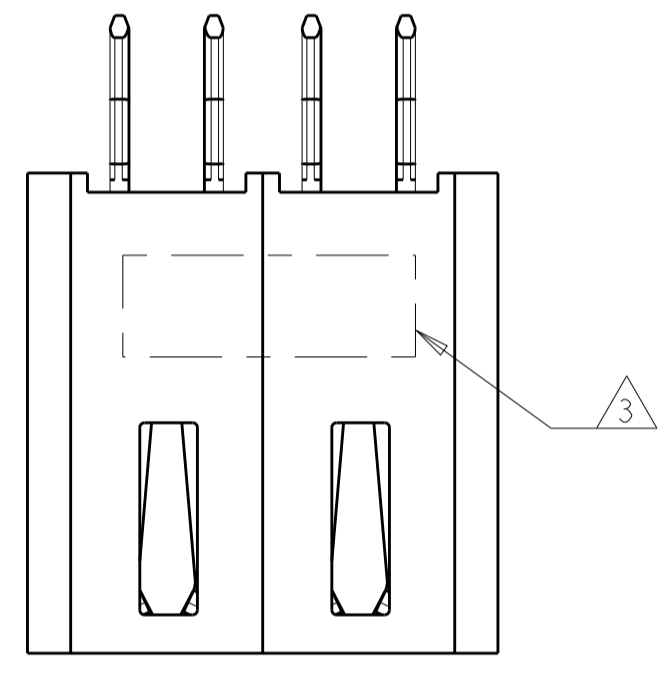
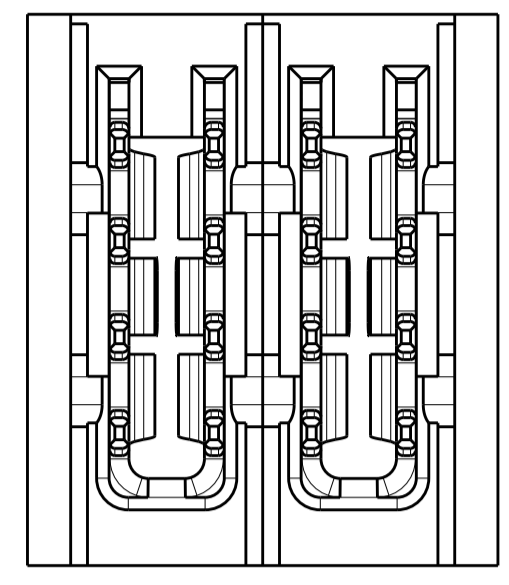


| LOC | | DIST | | REVISIONS | | | |
|-----|-----|--------------------------|-----------|-----------|------|--|--|
| P | LTN | DESCRIPTION | DATE | DWN | APVD | | |
| A | | DESIGN INITIAL | 26SEP2011 | ML | SZ | | |
| A1 | | ADDED NEW DASH NUMBER -2 | 30AUG2012 | CZ | SZ | | |
| A2 | | REV PER ECR-12-015720 | 06SEP2012 | CZ | SZ | | |



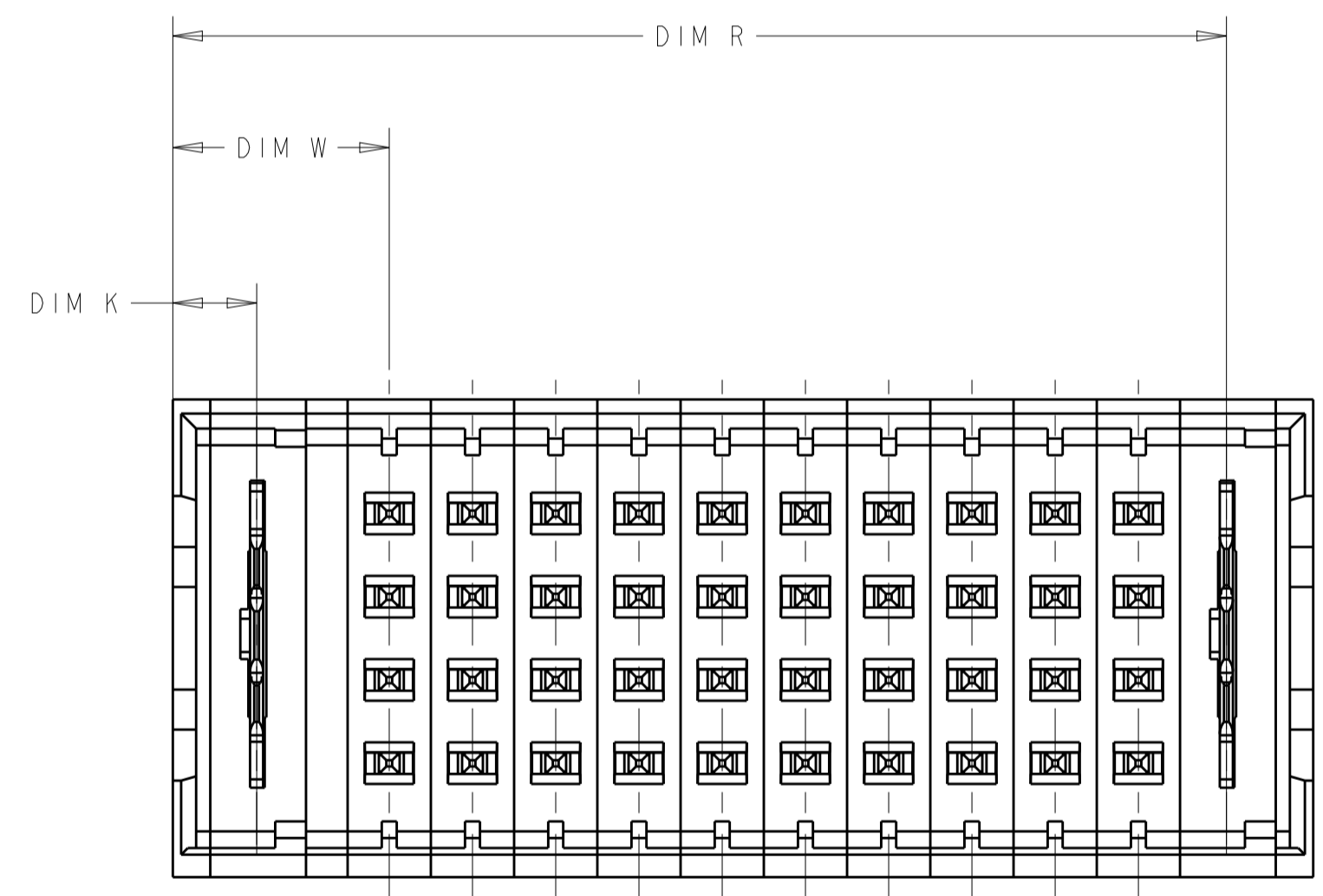
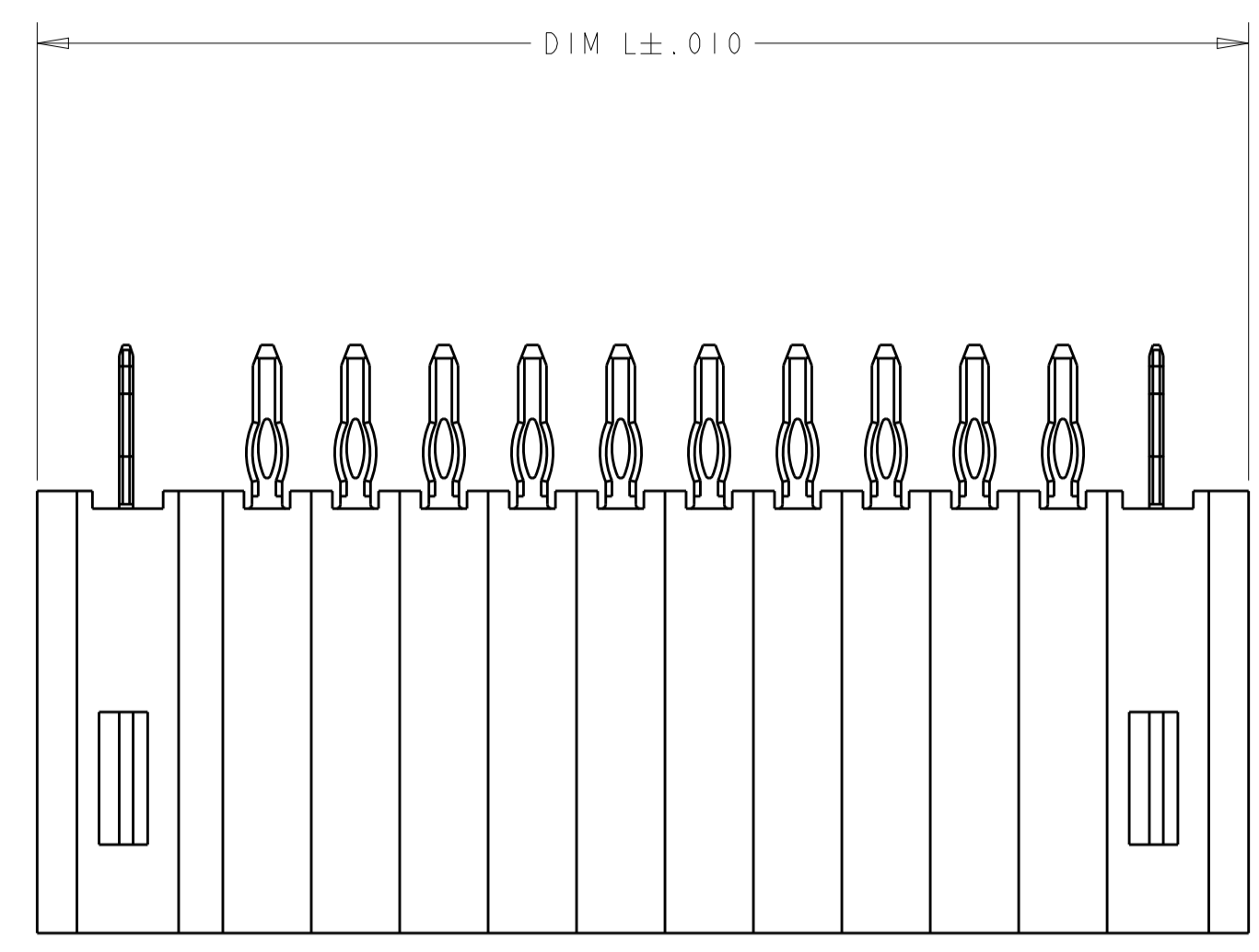
- 1 HEADER HOUSING: THERMO PLASTIC, BLACK, UL94 V-0; CONTACTS AND RETENTION CLIPS: COPPER ALLOY.
- 2 CONTACT FINISHE: CONFORMS TO THE REQUIREMENTS OF TE CONNECTIVITY PRODUCT SPECIFICATION 108-2292 ON THE MATING INTERFACE, TIN AT PCB INTERFACE
- 3 "AMP", PART NUMBER AND DATE CODE MARKED IN THIS AREA. PARTS UNDER 2.50 LONG MAY BE MARKED ON BOTH SIDES.
- 4 DATUM AND BASIC DIMENSIONS ESTABLISHED BY CUSTOMER.
- 5 PCB - ALL HOLE DIAMETERS ARE FINISHED HOLE SIZES.
- 6 A SEATING TOOL IS REQUIRED TO SEAT THE HEADER ON THE P.C. BOARD. PLEASE REFER TO THE 114-13038 APPLICATION SPEC.
- 7 MECHANICAL CONNECTOR KEEP OUT ZONE.
- 8 FOR CONFRIGURATION LP/S/LP, DIMENSIONS PLEASE SEE PAGE 2.

| | | | | | | |
|--------|-------|-------|-------|-------|-----------------|-------------|
| 1.2675 | .260 | - | .1025 | 1.370 | ILP + 40S + ILP | 6450829-2 |
| - | - | .200 | .145 | .490 | 2HDP | 6450829-1 |
| DIM R | DIM W | DIM S | DIM K | DIM L | DESCRIPTION | PART NUMBER |

| | | | |
|--|--------------|----------------|--|
| THIS DRAWING IS A CONTROLLED DOCUMENT. | | DWN: 26SEP2011 | TE Connectivity NAME: VERTICAL HEADER W/O END MODULES PRESS FIT, MULTI-BEAM XLE |
| DIMENSIONS: INCHES | | CHK: S. ZHAO | |
| TOLERANCES UNLESS OTHERWISE SPECIFIED: | | APVD: S. ZHAO | PRODUCT SPEC: 108-2292 |
| 0 PLC ±.01 | 1 PLC ±.01 | APVD: S. ZHAO | APPLICATION SPEC: 114-13251 |
| 2 PLC ±.005 | 3 PLC ±.005 | APVD: S. ZHAO | RESTRICTED TO: - |
| 4 PLC ±.0020 | ANGLES ±.020 | APVD: S. ZHAO | SIZE: A1 |
| MATERIAL: 1 | FINISH: 2 | APVD: S. ZHAO | CAGE CODE: 6450829 |
| CUSTOMER DRAWING | | SCALE: 5:1 | SHEET 1 OF 3 |

THIS DRAWING IS UNPUBLISHED. RELEASED FOR PUBLICATION 20
 © COPYRIGHT 20 TE CONNECTIVITY ALL RIGHTS RESERVED.

| LOC | DIST | REVISIONS | | | | | |
|-----|------|-----------|-----|-------------|------|-----|------|
| | | P | LTN | DESCRIPTION | DATE | DWN | APVD |
| ES | 00 | - | - | SEE SHEET 1 | - | - | - |
| | | | | | | | |
| | | | | | | | |



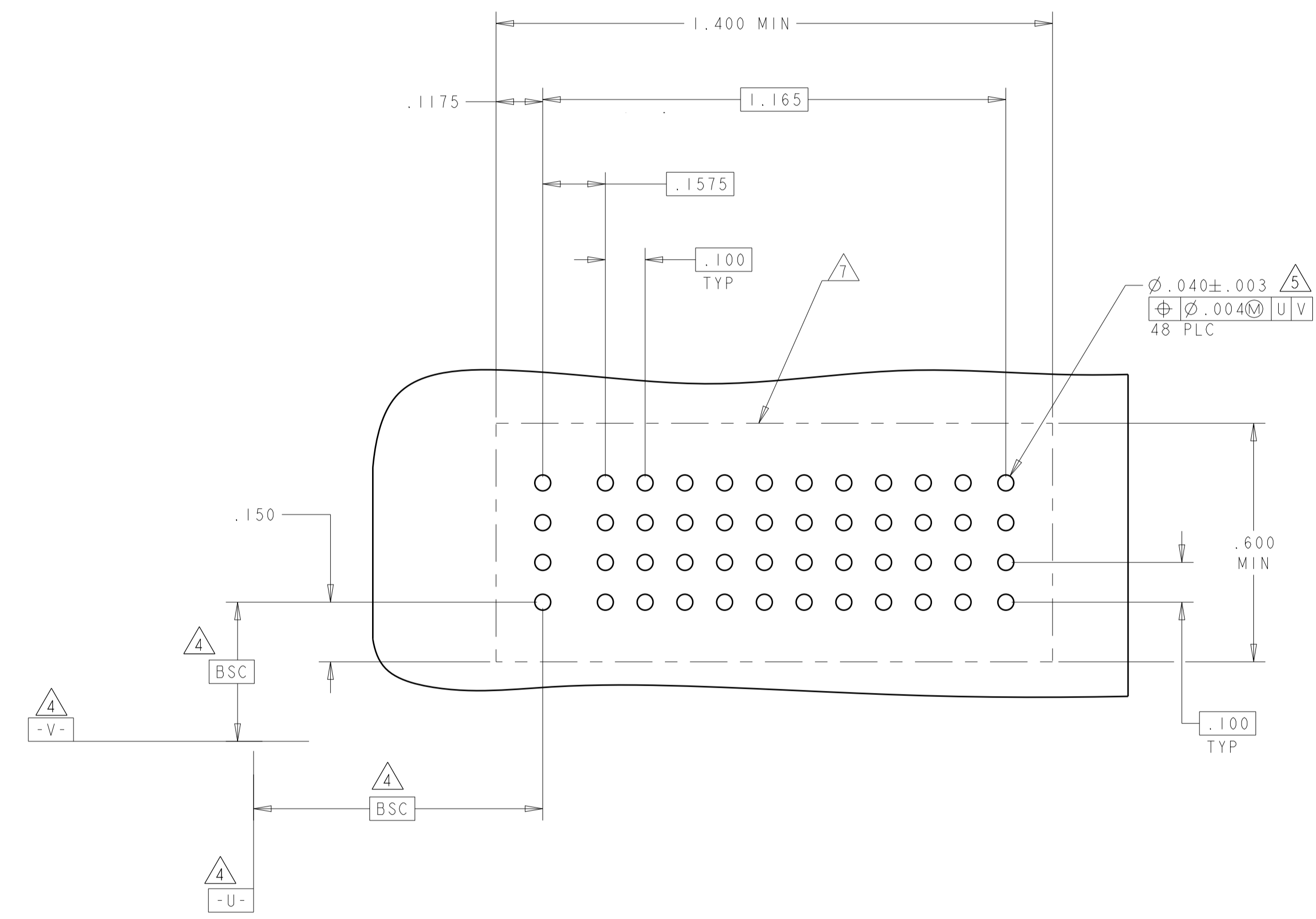
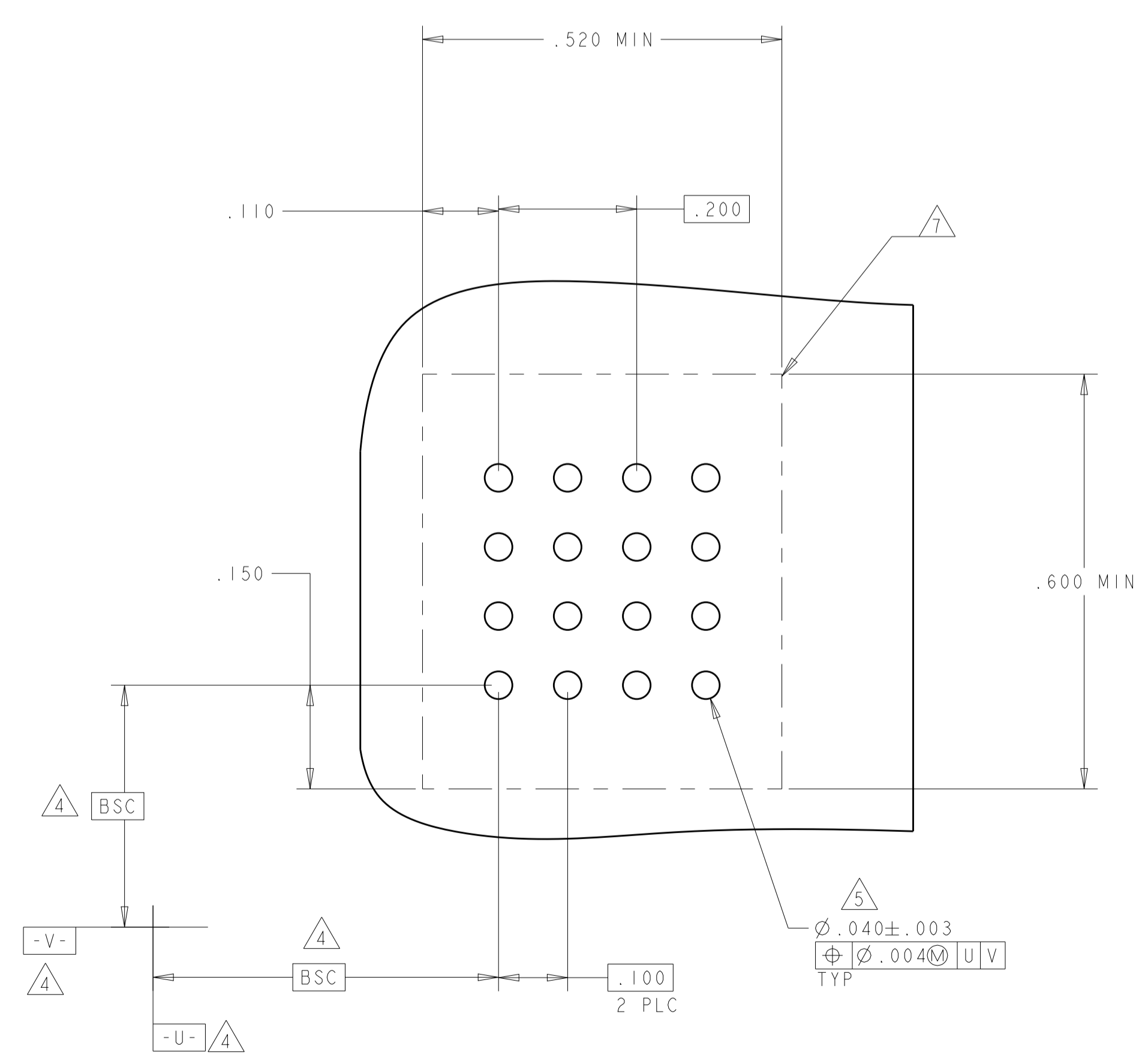
6450829-2 VIEW
 FOR CONFIGURATION "LP/S/LP",
 OTHER DIMENSIONS PLEASE REFER TO PAGE 1

| | | | |
|--|---|-----------------------------|---|
| THIS DRAWING IS A CONTROLLED DOCUMENT. | | DWN: MAC LIU 26SEP2011 | |
| | | CHK: S. ZHAO 26SEP2011 | |
| DIMENSIONS: | TOLERANCES UNLESS OTHERWISE SPECIFIED: | APVD: S. ZHAO | NAME: VERTICAL HEADER W/O END MODULES PRESS FIT, MULTI-BEAM XLE |
| INCHES | 0 PLC ±.01 1 PLC ±.01 2 PLC ±.01 3 PLC ±.005 4 PLC ±.0020 | PRODUCT SPEC: 108-2292 | SIZE: A1 |
| | ANGLES: ±.0020 | APPLICATION SPEC: 114-13251 | CAGE CODE: 6450829 |
| MATERIAL: - | FINISH: - | WEIGHT: - | RESTRICTED TO: - |
| CUSTOMER DRAWING | | SCALE: 5:1 | SHEET 2 OF 3 REV A2 |

| LOC | | DIST | | REVISIONS | | | |
|-----|----|------|-----|-------------|------|-----|------|
| ES | 00 | P | LTN | DESCRIPTION | DATE | DMN | APVD |
| - | - | - | - | SEE SHEET 1 | - | - | - |

| PART NUMBER | ROWS | POWER | |
|-------------|------|-------|----|
| | | P1 | P2 |
| 6450829-1 | D | VM | VM |
| | C | | |
| | B | | |
| | A | | |
| 2HDP | | | |

| PART NUMBER | ROWS | SIGNAL | | | | | | | | | | LOW POWER | | |
|-----------------|------|--------|----|----|----|----|----|----|----|----|----|-----------|----|--|
| | | LP1 | | | | | | | | | | LP2 | | |
| 6450829-2 | D | LZ | EV | EV | EV | EV | EV | EV | EV | EV | EV | EV | LZ | |
| | C | | EV | EV | EV | EV | EV | EV | EV | EV | EV | | | |
| | B | | EV | EV | EV | EV | EV | EV | EV | EV | EV | | | |
| | A | | EV | EV | EV | EV | EV | EV | EV | EV | EV | | | |
| ILP + 40S + 1LP | | | | | | | | | | | | | | |



| LOW POWER CONTACT | LZ |
|---------------------|------|
| SIGNAL CONTACT MLBF | ES |
| SIGNAL CONTACT STD | EV |
| POWER CONTACT | VM |
| DESCRIPTION | CODE |

THIS DRAWING IS A CONTROLLED DOCUMENT. DWG: MAC L1U 26SEP2011
 CHK: S. ZHAO 26SEP2011
 APVD: S. ZHAO

TE CONNECTIVITY

NAME: VERTICAL HEADER W/O END MODULES
 PRESS FIT, MULTI-BEAM XLE

PRODUCT SPEC: 108-2292
 APPLICATION SPEC: 114-13251

SIZE: 114-13251
 WEIGHT: A100779
 CAGE CODE: 6450829

CUSTOMER DRAWING SCALE: 5:1 SHEET 3 OF 3 REV: A2