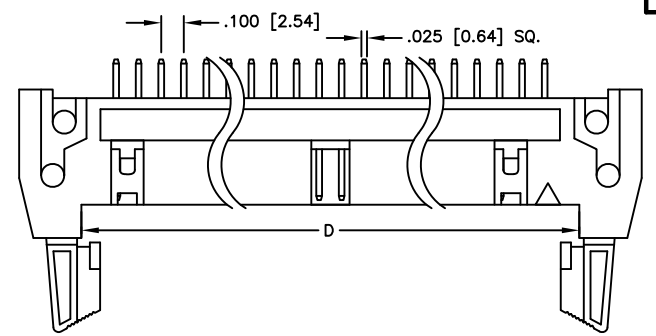
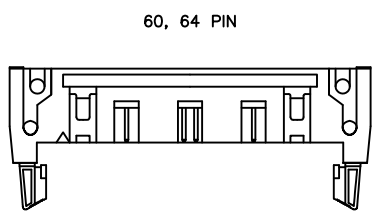


6 5 4 3 2 1

APPROVED: _____
 DATE: _____ TITLE: _____

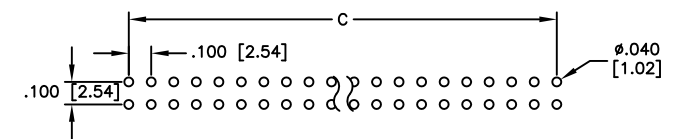
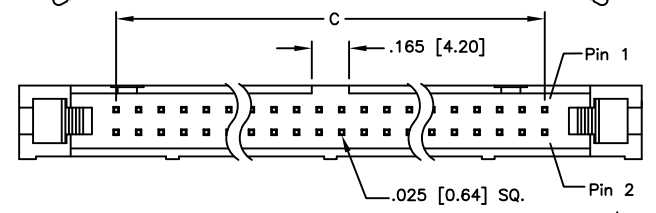
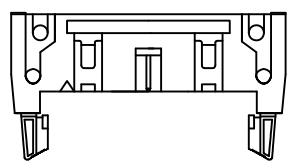
Rev	AWO #	Description	Date	Appr
-		RELEASED	9/10/09	
A		REVISED SPEC. & DIM.	05/25/12	
B		ADDED DRAWING	12/25/18	AY/RC1

D



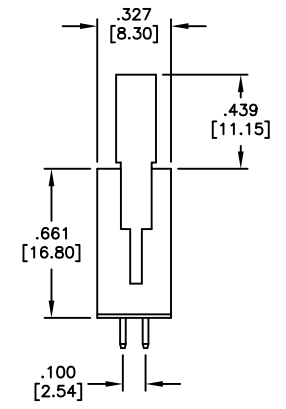
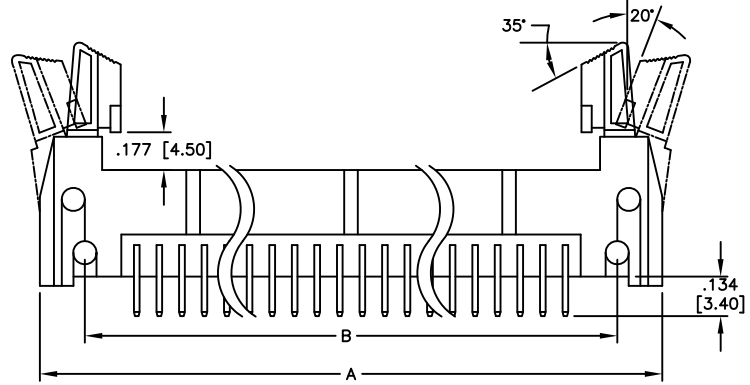
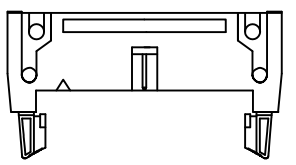
C

20, 24, 26, 30, 34, 40, 50 PIN



B

10, 14, 16 PIN



SPECIFICATIONS:

Material:
 Insulator: PBT, glass reinforced, rated UL 94V-0, Color: Black
 Contacts: Brass
 Plating:
 Gold flash over Nickel underplate overall
 Electrical:
 Current rating: 1 Amp
 Contact Resistance: 10 mohm max
 Insulation resistance: 1000 Mohm min
 Dielectric withstanding voltage: 500 VAC for 1 minute
 Temperature Rating:
 Operating temperature: -55°C to +105°C
 Environmental:
 Lead free, RoHS compliant.



Positions: 10, 14, 16, 20, 24, 26, 30, 34, 40, 50, 60, 64
 A = .100 [2.54] x No. of Spaces + .856 [21.74]
 B = .100 [2.54] x No. of Spaces + .458 [11.64]
 C = .100 [2.54] x No. of Spaces
 D = .100 [2.54] x No. of Spaces + .307 [7.79]

A

UNLESS OTHERWISE SPECIFIED ALL DIMENSIONS ARE MM [INCHES] TOLERANCES: EXCEPT AS NOTED	
INCHES	HOLES
.X ± .10	ØX ± .10
.XX ± .020	ØXX ± .015
.XXX ± .015	ØXXX ± .010
APPROVALS	
DRAWN	DATE
DY	9/10/09
CHECKED	
APPROVED	

ADAM TECH
 909 Rahway Avenue, Union, NJ 07083
 Phone: 908-687-5000 Fax: 908-687-5710

TITLE: LATCH BOX HEADER, STRAIGHT
 SHORT EJECTOR LATCHES

SIZE X	PART NO. MHR-XX-VUAS	REV.P B
REF: S00059T	SCALE: NTS	SHEET 1 OF 1

6 5 4 3 2 1