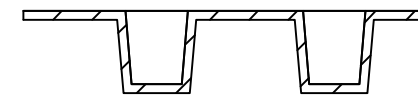
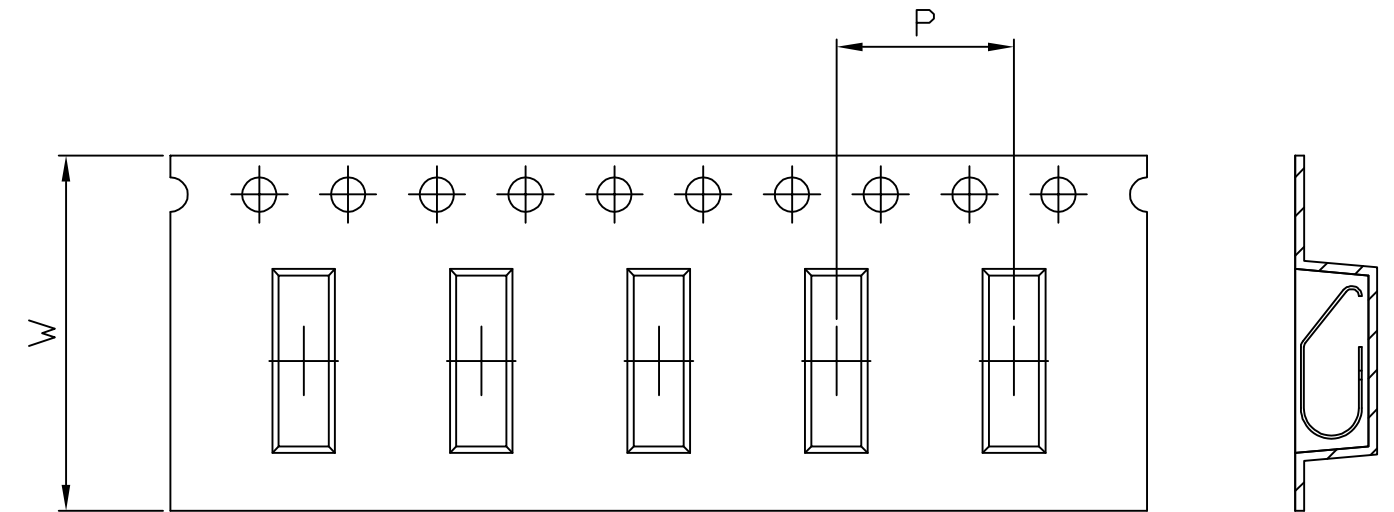
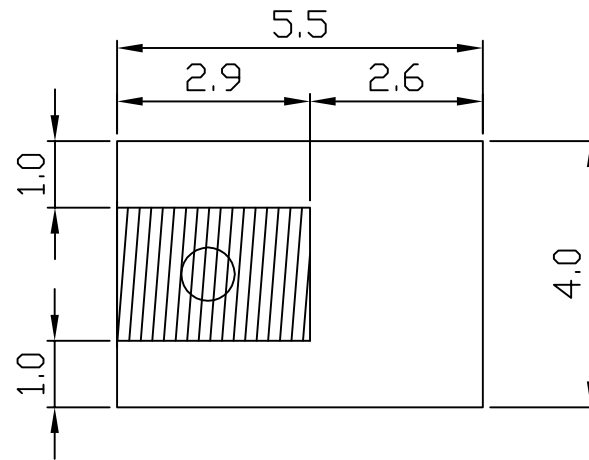
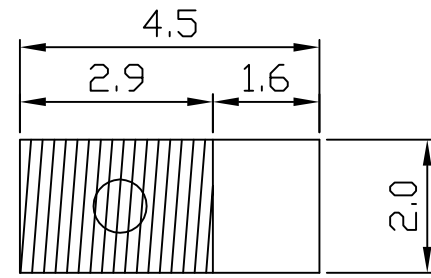
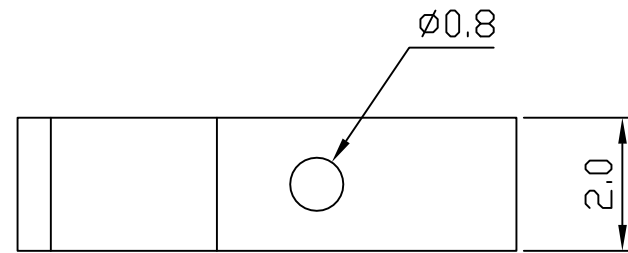
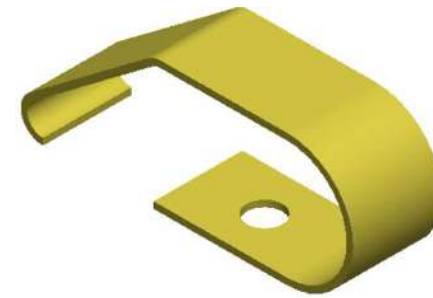
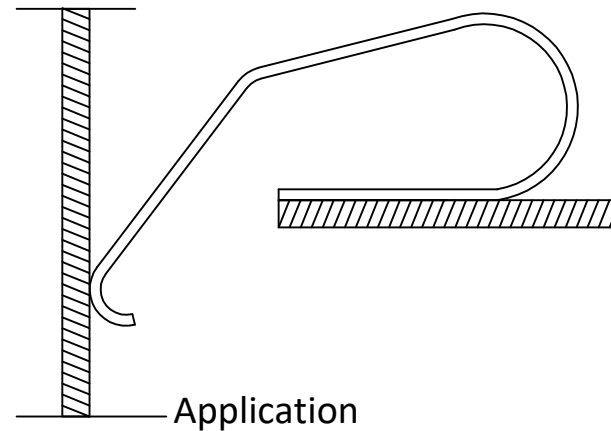
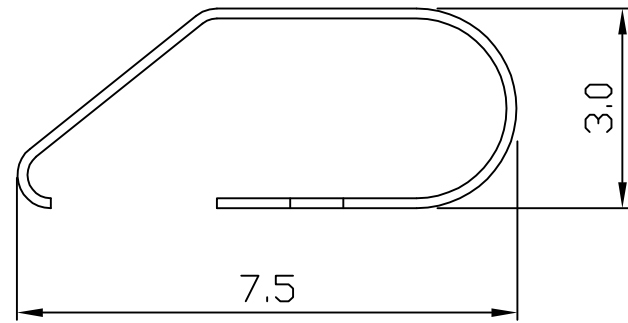


|                    |           |             |                         |               |   |   |   |
|--------------------|-----------|-------------|-------------------------|---------------|---|---|---|
| 8                  | 7         | 6           | 5                       | 4             | 3 | 2 | 1 |
| PART NUMBER        | THICKNESS | MATERIAL    | PLATING TYPE            | PACKAGING     |   |   |   |
| 67B6G2007503015R00 | 0.15mm    | BeCu C17200 | Au 1u" Over Ni 50~120u" | TAPE AND REEL |   |   |   |

|                   |                |           |                 |
|-------------------|----------------|-----------|-----------------|
| REEL DIAMETER     | TAPE WIDTH (W) | PITCH (P) | QUANTITY / REEL |
| 330.2mm (13 inch) | 16mm           | 8mm       | 2200pcs         |



SOLDER PAD Dimension

Recommendation

PART NUMBER CONFIGURATION:  
**67 B X X XXX XX XXX XX R XX**

67 FOR GENERAL ELECTRONICS  
68 FOR AUTOMOTIVE ELECTRONICS

MATERIAL: BECU

SHAPE TYPE

PLATING TYPE

PART WIDTH

VERSION CODE

PACKAGING: TAPE&REEL

PART THICKNESS

PART HEIGHT

PART LENGTH

|   |                      |  |
|---|----------------------|--|
| UNITS: MM [INCH]  |                      | LAIRD DRAWING NUMBER:<br><b>B6G-20X75X030-SALES</b>  |
| TOLERANCES:<br>XX = ±0.4<br>X.XX = ±0.2<br>X.XXX = ±0.1 |                      | THIS IS AN UNCONTROLLED SALES DRAWING. THE DIMENSIONAL CHARACTERISTICS AND TOLERANCES OF THIS PART SHOWN ON THIS DRAWING AS A REFERENCE TO THE DIMENSIONAL SPECIFICATIONS OF THE LAIRD STANDARD PRODUCTION DRAWING FOR THIS PART. ANY SUBSEQUENT CHANGES TO THE STANDARD PART SPECIFICATION WILL SUPERSEDE THIS SALES DRAWING. |
| ANGULAR:<br>X° = ±3°<br>X.X° = ±1.0°                    | 3RD ANGLE PROJECTION | DESIGNED IN SOLIDWORKS<br>SCALE: 5:1      SHEET 1 OF 1   |
|   | SIZE <b>B</b>        |  |